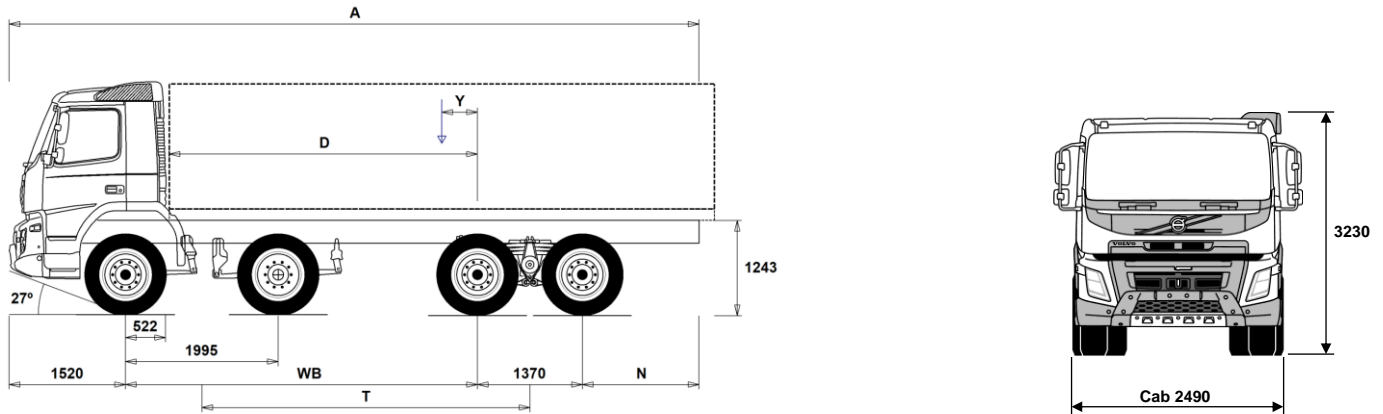


MODEL RANGE



Volvo Trucks. Driving Progress

FMX11 8x6 Rigid - XX-High B Ride - N3G FM 86F R1CBX



Chassis Dimensions [mm]

WB Wheelbase	4600	4900	5100	5600
A Overall Chassis Length	10015	10465	10815	11565
D Center of rear axle to front of body	4028	4328	4528	5028
N Rear Overhang (Min.)	1225	1225	1225	1225
N Rear Overhang (Max.)	2525	2675	2825	3075
T Theoretical Wheelbase	4288	4588	4788	5288
Y Center of Gravity for Payload (Min.)	120	185	229	338
Y Center of Gravity for Payload (Max.)	1252	1398	1498	1743

Chassis Weights [kg]

Front Axles	7185	7155	7140	7100
Rear Bogie	3150	3220	3280	3375
Kerb Weight	10335	10375	10420	10475
Payload (including body, driver, fuel, etc.)	19515	19475	19430	19375

Turning Diameter [mm]

Turning Circle Diameter Kerb to Kerb	18200	19200	19800	21300
Turning Circle Diameter Wall to Wall	19700	20600	21200	22800

Plated Weights [kg]

	Plated	Design
Gross Vehicle Weight	29850	37000
Gross Combination Weight	44000	60000
Front Axles	16000	16000
Rear Bogie	19000	21000

Important Notes

Chassis Dimensions

Cab Height: +416 mm for CAB-HSLP.
 Front Axle to Back of Cab: +424 mm for CAB-HSLP and CAB-SLP.
 D-measure includes a front clearance of 50 mm and for rigid trucks also a subframe of 100 mm.
 Height can vary ± 20 mm for leaf and ± 10 mm for air suspension.
 All dimensions are for unladen chassis and any tag axles down.
 Rear overhang used for vehicle weight calculation is the maximum rear overhang (N Max.) for selected wheelbase.

Weight and dimensions are based upon the following tyres:

Front Axle Tyres: 315/80R22.5
 Drive Axle Tyres: 315/80R22.5

Chassis weight includes oil, water, AdBlue, 0 litres fuel and without driver. Kerb weight can vary $\pm 3\%$.

Turning diameters are theoretically calculated.

Legal weights can differ from country to country.

For more detailed weight information, including optional equipment weights, ask your Volvo sales contact to enter your specification into the Volvo Weight Information system (WIS).

Do NOT use this drawing for bodybuilding. Refer to Volvo Bodybuilder Instructions and chassis assembly drawing FM86FR1CBX.

MODEL RANGE

FMX11 8x6 Rigid - XX-High B Ride - N3G FM 86F R1CBX

TRUCK USE

- **RC-ROUGH** Operating class on/off road
- **TIPP-PRE** Tipper vehicle preparation
- **UNIFORM** Basic platform vehicle

CORE COMPONENTS

- **CHH-XXHI** Chassis height XX High - For a specific loading height always check the unique BEP chassis drawing
- **RADD-BR** B-ride rear three spring bogie suspension
- **FMX-DAY** Day cab - with steel safety cage design
Designed and built to Swedish impact and ECE R29 regulations
- **FMX-HSLP** Globetrotter cab - with steel safety cage design
Designed and built to Swedish impact and ECE R29 regulations
- **FMX-SLP** Sleeper cab - with steel safety cage design
Designed and built to Swedish impact and ECE R29 regulations
- **EU6SCR** Emission level - Euro 6
- **D11K330** D11K330 10.8 litre engine developing 330hp at 16-1900rpm.
Peak torque 1600Nm at 950-1400rpm.
- **D11K380** D11K380 10.8 litre engine developing 380hp at 17-1900rpm.
Peak torque 1800Nm at 950-1400rpm.
- **D11K430** D11K430 10.8 litre engine developing 430hp at 17-1800rpm.
Peak torque 2050Nm at 1058-1400rpm.
- **D11K460** D11K460 10.8 litre engine developing 450hp at 16-1800rpm.
Peak torque 2200Nm at 1050-1400rpm.
- **EBR-EPG** Exhaust brake controlled by steering column switch
- **EBR-EPGC** Exhaust pressure governor for I shift gearbox
- **EBR-VEB** Volvo engine brake and exhaust pressure governor retardation 300kW
- **AT2612F** AT2612F 12-speed "I-shift" automated mechanical gearbox suitable for gross train weights up to 60tonne only refer to sales engineering when used in conjunction with a PTO
- **ATO2612F** ATO2612F 12-speed "I-shift" overdrive automated mechanical gearbox suitable for gross train weights up to 60tonne refer to sales engineering when used in conjunction with a PTO
- **PT2106** Powertronic automatic 6-speed gearbox, max. engine torque 2100 Nm, max. permitted GCW 100000 kg
- **RTH2610F** RTH2610F hub reduction tandem 26tonne drive axles, GCW 100 tonnes with differential and cross locks*
* Cross locks replaced by a dog clutch if tandem axle lift is specified

PACKAGES

- **DRIVEFM** Cab Package: Drive
- **DRIVEFM+** Cab Package: Drive +
- **BEDFM** One bed resting package
- **AUDHIG** High Power Audio system: RDS radio with CD player - also playing MP3/WMA files from CD -, with integrated bluetooth phone and USB/Line inputs. FM/AM antenna, speakers in dashboard, doors, and sleeping compartment.
- **MEDIA** AM/FM Bluetooth radio without CD player.
USB and Aux line inputs.
Speakers in dashboard, doors, and sleeping compartment.
7" touch screen with personal apps.
- **MEDIADF** AM/FM Bluetooth radio without CD player.
USB and Aux line inputs.
Speakers in dashboard, doors, and sleeping compartment.
7" touch screen with personal and professional apps.
Dynafleet vehicle on-board data display with office internet support.
- **MEDIANAV** AM/FM Bluetooth radio without CD player.
USB and Aux line inputs.
Speakers in dashboard, doors, and sleeping compartment.
7" touch screen with personal and professional apps.

■ Standard Equipment □ Optional Equipment

For more detailed information about cab and powertrain equipment, please refer to separate specification sheets.

For all possible options and combinations of options please consult your Volvo sales contact who can create a specification to match your requirements using the Volvo Sales Support system (VSS).

The factory reserves the right to modify design and change equipment without previous notification.
The specification can vary from country to country.

- **MEDIADF** Truck based satellite navigation (live updates not included)
AM/FM Bluetooth radio without CD player.
USB and Aux line inputs.
Speakers in dashboard, doors, and sleeping compartment.
7" touch screen with personal and professional apps.
Truck based satellite navigation (live updates not included)
Dynafleet vehicle on-board data display with office internet support.

CHASSIS

- **FST-PAR3** Front suspension type - 3 leaf parabolic springs
- **FAL16.0** Front axles design capacity 16 tonnes - 2 x 8.0 tonne front axles
- **FAL18.0** Front axles design capacity 18 tonnes - 2 x 9 tonne front axles - check tyre load index
- **FAL20.0** Front axles design capacity 20 tonnes - 2 x 10.0 tonne front axles only available with front air suspension.
- **FSM-LUB** Lubricated rear shackles on front suspension pins and bushings
- **FSTAB** Front anti-roll bar
- **RAL21** Rear bogie design capacity 21 tonnes
- **RSTAB1** Rear anti-roll bar
- **PSS-DUAL** Dual power steering system
- **PSP-VAR** Power steering pump with variable displacement
- **EBS-MED** EBS medium package including "hill" hold function
- **RST-PAR1** Rear Suspension, Parabolic springs
- **FRAME300** Frame rail section external height 300 mm
- **FST8080** Frame thickness - web and flange 8.0mm
- **FIL-EEEE** Inner liner from end of engine to end of bogie
- **FIL-EEEEF** Inner liner from end of engine to end of frame
- **FIL-FBEB** Inner liner over rear bogie
- **FIL-FBEF** Inner liner from front of bogie to end of frame
- **FIL-TXEB** Inner liner from gearbox member to end of bogie
- **FIL-TXEF** Inner liner from gearbox member to end of frame
- **BBOX-L** Battery box located on left hand side
- **2BAT210B** 2 x 210 Ah capacity Gel batteries
- **2BATT170** 2 x 170 Ah capacity batteries
- **2BATT225** 2 x 225 Ah capacity batteries
- **BATTAMP** Battery voltage and ampere gauge
- **BATTIND** Battery charge indication
- **MSWI-C** Main switch - Chassis mounted toggle switch by battery box
- **MSWI-R** Main switch - Key fob operated remote controlled
- **UR-FUEL** Without right fuel tank
Min volume 255l
Max volume 630l
- **UL-FUEL** Without left fuel tank
- **ADTP-L** AdBlue tank on left hand side
- **ADTP-LF** AdBlue tank on left hand side at the front
- **ADTP-R** AdBlue tank on right hand side
- **ADB032** AdBlue tank usable volume 32 litres
- **FCAP-L** Locking fuel filler cap
- **FUFF-AS** Fuel filling anti-spillage device
- **FUFF-ATS** Fuel filling anti-theft and anti-spillage devices
- **ESH-REAR** Horizontal silencer, rear exhaust outlet
- **ESH-VERT** Horizontal silencer, vertical exhaust outlet
- **ESHVVERT** Horizontal chassis mounted diesel particulate filter and vertical SCR silencer behind cab
- **EXST-SSP** Stainless steel exhaust stack - NOT polished
- **EXST-ST** Steel exhaust stack
- **WHC-FIX2** Two fixed wheel chocks
- **WHC-FOL2** Two foldable wheel chocks

MODEL RANGE

FMX11 8x6 Rigid - XX-High B Ride - N3G FM 86F R1CBX

- WHCP-F** Wheel chock(s) stored in the front part of the vehicle
- WHCP-R** Wheel chock(s) stored in the rear part of the vehicle
- WHCP-T** Transport mounted wheel chock(s) stored in cab outer luggage locker
- TB-L80** Toolbox 800 mm, left side
- TB-R80** Toolbox 800 mm, right side
- CHAIN-S** Snow chains
- HOOK-SC** Snow chain hooks
- **TOWF-HD1** One heavy duty front towing device
- TOWMBRH** Towing member, high mounted in centre of frame, D = 190
- TOWMBRL1** Towing member, low mounted under the frame
- TOWMBRM** Towing member, medium mounted in line with frame lower flange
- **RFEC-S** Rear frame end, straight cut for regular platform applications
- RFEC-U** Rear frame end, upper cut for tipper applications.
- C-RI4040** Towing coupling, Ringfeder 4040 G-150
- C-RI5055** Towing coupling, Ringfeder 5055 G-150
- C-RO400G** Towing coupling, Rockinger 400 G-150 for 40mm eyes
- C-RO50** Rockinger RO 50 50mm for centre axle trailer
- TOWR-ONE** Towing hitch attached to rear crossmember
- **TREL-PK** Trailer electrical preparation kit - chassis/cab wiring
- TREL14** Single 14 pole electrical trailer connector
- TREL15** Single 15 pole electrical trailer connector - ADR certified
- TREL7** 7 pole - 24N trailer electrical suzie
- TREL7-7** 24N and 24S trailer electrical suzies
- TBC-DUO** Duomatic type air line connectors
- TBC-EC** Palm coupling type air line connectors
- TRBR-HCF** Full pressure hand controlled trailer brake
- TRBR-STA** Stationary trailer brake control
- RUP-FOSL** Folding & sliding EC approved aluminium rear underrun
- FFEND-T** Transport mounted mud wings on second front axle
- RFEND-B** Three piece EC approved rear mud wings and spray flaps
- RFEND-T** Rear mud wings, transport mounted
- RFH-BAS** Basic rear wing height
- RFH-HIG** High rear wing height - higher wing tops
- RFH-LOW** Lower rear wing height - shallower wing tops
- **ATANK-ST** Steel air tanks
- **TL-LED** Rear lights LED
- BLIGHT-E** Emergency brake light
- WHEELS & TYRES**
- RT-SPOKE** Spoke rims on all axles
- **RT-STEEL** Steel rims on all axles
- SPWT-D** Spare wheel & tyre with rear tyre pattern
- SPWT-F** Spare wheel & tyre with front tyre pattern
- SWCP-T** Spare wheel supplied temporarily strapped to chassis
- SWCP-TP** Temporary spare wheel carrier on top of chassis frame
- JACK-20T** 20 tonne bottle jack
- **TOOL-BAS** Basic Toolkit
- TOOLKIT** Complete tool kit
- INFLAHOS** Tyre inflation hose
- GAUGE-TP** Tyre pressure gauge
- DRIVELINE EQUIPMENT**
- TRAP-HD** Reinforced gearbox application
- TP-CON** Construction Package
- TP-DIST** Distribution Package
- TP-HD** I-shift software - Heavy duty for high GCW
Special conditions apply consult Sales Engineering
- TP-LONG** Long Haul Package
- AMSO-AUT** Enhanced I-shift software with manual shift available in auto mode and kickdown facility on accelerator pedal
- AVO-ENH** Enhanced software for off road driveability and starting
- APF-ENH** I-shift enhanced PTO functions
- RET-TPT** Hydraulic Retarder for Powertronic gearbox
- TC-HWO** Automatic gearbox oil cooler - water to oil
- TC-MAOH2** Extra high performance transmission oil cooler - air to oil with front mounted radiator
- TC-MWO** Basic transmission oil cooler - water to oil
- 1COMP530** Single cylinder, air compressor, 530 litres per minute
- 2COM1100** Two cylinder, air compressor, 1100 litres per minute
- **2COMP900** Two cylinder, air compressor, 900 litres per minute
- CLU-AIRC** Clutchable air compressor
- **AIRIN-HI** Roof mounted air intake behind cab on left hand side
- AIRIN-LO** Low level air intake behind cab on left hand side
- ACL1ST-S** Two stage air filter
- **24AL110B** 110 amp alternator
- 24AL120B** 120 amp alternator
- 24AL150B** 150 amp alternator
- **CCV-C** Closed crankcase engine ventilation
- CCV-OX** Closed crankcase ventilation for cold markets
- **PRIM-EL** Electrical priming pump
- PRIM-MAN** Manual priming pump
- FUEQ-EH** Fuel line electric heater
- AF-R** Hot fuel recirculation heated fuel filter
- FUEFE2LW** Large engine mounted dual fuel filter with water separator
- **FUEFE2SW** Small engine mounted dual fuel filter with water separator
- EST-AID** Air inlet manifold starting heater element
- 220EBH15** 220V/1.5Kw electric engine block heater
- PTER-100** Rear engine mounted power-take-off with DIN 100 / ISO 7646 flange
- PTER-DIN** Rear engine mounted PTO with DIN5462 (female) splined shaft for a close coupled pump.
Models with 3 steering axles will use this to drive the steering pump (AUXPSP)
- PTER1400** Rear engine mounted power-take-off with SAE 1410 flange
- HPE-F101** Parker F1-101, engine mounted, fixed displacement, single flow, engine mounted hydraulic pump
- HPE-F41** Parker F1-41, engine mounted, fixed displacement, single flow, engine mounted hydraulic pump
- HPE-F51** Parker F1-51, engine mounted, fixed displacement, single flow, engine mounted hydraulic pump
- HPE-F61** Parker F1-61, engine mounted, fixed displacement, single flow, engine mounted hydraulic pump
- HPE-F81** Parker F1-81, engine mounted, fixed displacement, single flow, engine mounted hydraulic pump
- HPE-T53** Parker F2-53/53, engine mounted, Fixed displacement, Twin flow engine mounted hydraulic pump
- HPE-T70** Parker F2-70/35, engine mounted, Fixed displacement, Twin flow engine mounted hydraulic pump
- HPE-V45** Parker VP1-45, variable displacement, single flow, engine mounted hydraulic pump
- HPE-V75** Parker VP1-75, variable displacement, single flow, engine mounted hydraulic pump
- PTPT-D** Powertronic PTO, 1 front/upper DIN connection for plug-in pump (max. 850 Nm)
- PTPT-F** Powertronic PTO, 1 front/upper rear facing SAE flange conn. for prop shaft (max.850 Nm)
- PTR-D** Gearbox PTO for plug-in pump, 0.71xeng speed
- PTR-DH** Gearbox driven high speed PTO for one plug-in hydraulic pump
- PTR-DM** Gearbox driven medium speed PTO for one plug-in hydraulic pump

■ Standard Equipment □ Optional Equipment

For more detailed information about cab and powertrain equipment, please refer to separate specification sheets.

For all possible options and combinations of options please consult your Volvo sales contact who can create a specification to match your requirements using the Volvo Sales Support system (VSS).

The factory reserves the right to modify design and change equipment without previous notification. The specification can vary from country to country.

MODEL RANGE

FMX11 8x6 Rigid - XX-High B Ride - N3G FM 86F R1CBX

- | | |
|--|--|
| <ul style="list-style-type: none"> <input type="checkbox"/> PTR-F Gearbox driven PTO with rear flange connection <input type="checkbox"/> PTRD-D Gearbox driven HIGH SPEED PTO for two plug-in hydraulic pumps <input type="checkbox"/> PTRD-F PTO with 1 DIN + 1 flange connection rear, manual gearbox <input type="checkbox"/> HPG-F101 Parker F1-101 gearbox mounted, fixed displacement, single flow, hydraulic pump <input type="checkbox"/> HPG-F41 Parker F1-41 gearbox mounted, fixed displacement, single flow, hydraulic pump <input type="checkbox"/> HPG-F51 Parker F1-51 gearbox mounted, fixed displacement, single flow, hydraulic pump <input type="checkbox"/> HPG-F61 Parker F1-61 gearbox mounted, fixed displacement, single flow, hydraulic pump <input type="checkbox"/> HPG-F81 Parker F1-81 gearbox mounted, fixed displacement, single flow, hydraulic pump <input type="checkbox"/> EIDLESD Engine idle shut down <input checked="" type="checkbox"/> STWPOS-R RIGHT HAND DRIVE <input type="checkbox"/> STWM-LE Leather steering wheel <input type="checkbox"/> STGW-AD2 Adjustable steering wheel with neck tilt <input checked="" type="checkbox"/> STGW-ADJ Adjustable steering wheel <input checked="" type="checkbox"/> AIRBAG SRS Driver's air bag <input checked="" type="checkbox"/> DRC-AMII DPF Regeneration control switch - for manual and switching off regeneration <input checked="" type="checkbox"/> 1DAYDIG2 Continental VDO DTCO 4.0 smart tachograph
This tachograph can ONLY offer remote download if the option of Dynafleet or an FMS gateway has been specified with this order. <input type="checkbox"/> 1DAYDIGP Continental VDO DTCO 3.0 digital tachograph
For vehicles with long lead time - this includes prep kit for the retrofit of DTCO 4.0 tachograph.
For updating to new legal demand for truck registration from 15th June 2019.
This tachograph can ONLY offer remote download if the option of Dynafleet or an FMS gateway has been specified with this order. <input type="checkbox"/> ARSL Additional road speed limit - switch in dashboard <input type="checkbox"/> CRUIS-E Eco cruise control (with eco-roll and I-cruise, controls in steering wheel) <input checked="" type="checkbox"/> CRUISEC Cruise control, standard <input type="checkbox"/> RSENS-W Rain sensing windscreen wipers <input type="checkbox"/> CU-ECC Electrically controlled air conditioning with sun sensor <input type="checkbox"/> CU-ECC2 Electrically controlled air conditioning with sun sensor, mist sensor, air quality sensor and carbon filter <input checked="" type="checkbox"/> CU-MCC Climate unit with manual controlled air conditioning <input checked="" type="checkbox"/> IMMOBIL Thatcham H2 approved immobiliser <input type="checkbox"/> ALARM-B Thatcham H1 approved vehicle alarm - Cab only <input type="checkbox"/> ALARM-E Enhanced vehicle alarm - Thatcham H1 approved - Cab plus external sensor for body/trailer <input type="checkbox"/> ALCOLOCK Alcolock <input type="checkbox"/> BUPMON Back up monitor with built in 7" screen on dash and one colour camera supplied loose for fitment by bodybuilder.
Can accommodate up to 4 cameras for TfL Safe Scheme, CLOCS and FORS. <input type="checkbox"/> PHONE-PK Telephone preparation kit (antenna, antenna attachm. cable incl.) <input type="checkbox"/> WLIFT-AD Electrical window lift, automatic up/down driver side <input checked="" type="checkbox"/> WLIFT-EB Electrical window lift <input type="checkbox"/> WLIFT-ME Mechanical window lift <input type="checkbox"/> ISUNS-BS Side interior sun visor on both sides <input checked="" type="checkbox"/> ISUNS-DS Driver's side interior sun visor <input checked="" type="checkbox"/> ISUNF-B Interior front sun visor without mirror <input type="checkbox"/> ISUNF-MD Interior front sun visor with mirror on driver side <input type="checkbox"/> ISUNF-RE Electrically operated textile interior sun blind | <ul style="list-style-type: none"> <input type="checkbox"/> ISUNF-RM Manually operated textile interior sun blind <input checked="" type="checkbox"/> CSPU-S One open storage (behind push open lid) in upper part of dash panel center section <input type="checkbox"/> ADFS Two extra DIN slots in front shelf - can be fitted with card or drawer available as an accessory <input checked="" type="checkbox"/> BUPALARM Reverse alarm <input type="checkbox"/> RTOLL-PK Road toll PREPARATION kit for trucks operating with "Toll Collect" in Germany <input type="checkbox"/> REMC-MF Multi-function wireless remote control <input type="checkbox"/> FIREXT3S 3kg fire extinguisher mounted on seat base <input type="checkbox"/> WARNVEST High visibility warning vest - no sleeves <input type="checkbox"/> AIDKIT First aid kit <input type="checkbox"/> AIDKIT1B First aid kit <input type="checkbox"/> WARNLAMP Portable warning lamp <input type="checkbox"/> LAMP-IN Inspection lamp <input type="checkbox"/> BULBKIT Bulb and fuse kit <input type="checkbox"/> WRITEPAD Writing pad <input type="checkbox"/> UPHTRI10 Seats: Black embossed textile insert with light grey sides, black vinyl side bolster with blue vinyl side insert.
Interior trim: Raven black bunk and curtains & blue textile side walls <input checked="" type="checkbox"/> UPHTRI11 Seats: Light grey embossed textile insert, black raven metallic vinyl bolster with red vinyl side insert.
Interior trim: Raven black bunk and curtains & grey vinyl side walls <input type="checkbox"/> UPHTRI12 Seats: Blue soft textile insert, black vinyl bolster.
Interior trim: Raven black bunk and curtains & blue textile side walls <input type="checkbox"/> UPHTRI13 Seats: Dark grey leather insert and black leather bolster.
Interior trim: Raven black bunk and curtains & grey vinyl side walls <input type="checkbox"/> UPHTRI14 Seat: Dark grey leather insert and black leather bolster.
Interior trim: Raven black bunk and curtains & blue textile side walls <input checked="" type="checkbox"/> DST-CF4 Driver seat, comfort, suspended, belt in seat <input type="checkbox"/> DST-CF5 Driver seat, comfort, suspended, belt in seat, electrically heated <input type="checkbox"/> DST-CF6 Driver seat, comfort, suspended, belt in seat, electrically heated, ventilated <input type="checkbox"/> SBD-RED Red seat belts <input type="checkbox"/> SBPRE-DS Driver seat belt pretensioner <input checked="" type="checkbox"/> PST-BAS1 Passenger seat - Fixed non suspended fold up with seatbelt mounted in cab <input type="checkbox"/> PST-BENC Bench passenger seat <input type="checkbox"/> PST-CF4 Passenger seat - Comfort suspended with seatbelt mounted in seat <input type="checkbox"/> PST-CF5 Passenger seat - Comfort suspended & heated with seatbelt mounted in seat <input type="checkbox"/> PST-STD2 Passenger seat - Fixed non suspended with seatbelt mounted in cab <input type="checkbox"/> PST-STD4 Passenger seat - Standard suspended with seatbelt mounted in cab <input type="checkbox"/> SBPRE-PS Passenger seat belt pretensioner <input type="checkbox"/> ARM-DBPS Two armrests on driver seat and one (outer) on passenger seat <input type="checkbox"/> ARMRE-BB Two armrests on both driver and passenger seat. <input type="checkbox"/> ARMRE-DB Two armrests, on driver seat only <input type="checkbox"/> ARMRE-PB Two armrests, on passenger seat only <input type="checkbox"/> ARMRE-PS Single armrest (next to driver) on passenger seat <input type="checkbox"/> ARU-BAS Vinyl upholstered armrest <input type="checkbox"/> ARU-LEA Leather upholstered armrest <input checked="" type="checkbox"/> FMAT-RU2 Rubber floor mats, extended <input type="checkbox"/> FMAT-RUB Rubber floor mats |
|--|--|

Standard Equipment

Optional Equipment

For more detailed information about cab and powertrain equipment, please refer to separate specification sheets.

For all possible options and combinations of options please consult your Volvo sales contact who can create a specification to match your requirements using the Volvo Sales Support system (VSS).

The factory reserves the right to modify design and change equipment without previous notification. The specification can vary from country to country.

MODEL RANGE

FMX11 8x6 Rigid - XX-High B Ride - N3G FM 86F R1CBX

<input type="checkbox"/> FMAT-T2E		<input type="checkbox"/> AWIND-RF	Rear window
<input type="checkbox"/> FMAT-TX2	Textile and rubber floor mats	<input type="checkbox"/> DGLAS-L	Laminated door glass
<input type="checkbox"/> LBK-RES	Foldable rest bunk	<input checked="" type="checkbox"/> LOCK-MAN	Manual door locking
<input type="checkbox"/> LBK70	Lower bunk 700 x2000 mm, fixed	<input type="checkbox"/> LOCK-MRP	Manual door locking with internal remote control (from driver side) of passenger door
<input checked="" type="checkbox"/> ULBK	Without lower bunk	<input type="checkbox"/> LOCK-REM	Central locking with remote control
<input type="checkbox"/> MATL-FI	Firm lower bunk pocket sprung mattress	<input checked="" type="checkbox"/> BUMP-HD	Heavy duty front bumper
<input type="checkbox"/> MATL-SF	Lower flexizone mattress - semi-firm, pocket springs up to 100kg - 16 stone	<input type="checkbox"/> AUXFS	Lower swinging cab step
<input type="checkbox"/> MATL-SO	Lower flexizone mattress - soft, pocket springs up to 85kg - 13.5 stone	<input type="checkbox"/> GUARD-EH	Engine guard to protect sump and engine hoses
<input type="checkbox"/> OLMAT-BA	35mm mattress overlay protector	<input checked="" type="checkbox"/> BUGNET	Insect screen in front of radiator
<input type="checkbox"/> OLMAT-PR	50mm premium mattress overlay protector	<input type="checkbox"/> CTILT-P-E	Electrically operated hydraulic cab tilt
<input type="checkbox"/> TBK60F	Fixed foldable top bunk 600 x 1900mm	<input checked="" type="checkbox"/> CTILT-P-M	Manually operated hydraulic cab tilt
<input type="checkbox"/> TBK70F	Fixed foldable top bunk 700 x 1900mm	<input type="checkbox"/> FCABS-A	Front cab suspension - Air
<input type="checkbox"/> PH-CAB2	1.8kW Air to air night heater	<input checked="" type="checkbox"/> FCABS-M	Front cab suspension - Mechanical spring
<input type="checkbox"/> PH-ENGCA	Engine and cab night heater	<input type="checkbox"/> RCABS-A	Rear cab suspension - Air
<input type="checkbox"/> PH-SS	Short stop heater	<input checked="" type="checkbox"/> RCABS-M	Rear cab suspension - Mechanical spring
<input type="checkbox"/> SLCP-BAS	Basic sleeper control panel - includes interior light, parking heater, roof hatch and door lock	<input type="checkbox"/> MIRCOMFX	Electrically heated and operated -FMX- main and wide-angle mirrors with manually adjusted passenger kerb mirror, to increase direct vision to the side the main mirrors have no cowlings
<input type="checkbox"/> SAFE	Safe box for driver's personal items	<input checked="" type="checkbox"/> MIRSTDX	Electrically heated -FMX- main and wide-angle mirrors with manually adjusted passenger kerb mirror, to increase direct vision to the side the main mirrors have no cowlings
<input type="checkbox"/> ETSB-F	Storage on engine tunnel - on front top	<input checked="" type="checkbox"/> AMIR-F20	Auxiliary front view mirror with a 200mm radius
<input type="checkbox"/> ETSB-FR	Storage on engine tunnel - on front top and at rear cab wall	<input type="checkbox"/> SUNV-H	External smoke grey sunvisor
<input type="checkbox"/> ETSB-FRS	Storage on engine tunnel - on front top & at rear cab wall & storage recessed into tunnel on right hand side	<input type="checkbox"/> AD-ROOF	Roof air deflector
<input type="checkbox"/> ETSB-FS	Storage on engine tunnel - on front top and storage recessed into tunnel on right hand side	<input type="checkbox"/> AD-SIDEL	Side air deflector extension panels
<input type="checkbox"/> ETSB-R	Storage on engine tunnel - box at rear cab wall	<input type="checkbox"/> AD-SIDES	Short cab side air deflector for rigid bodywork
<input type="checkbox"/> ETSB-RS	Storage on engine tunnel - at rear cab wall and storage recessed into tunnel on right hand side	<input checked="" type="checkbox"/> HL-BAS2	Halogen H1 head lamps
<input type="checkbox"/> ETSB-S	Storage on engine tunnel - recessed into tunnel on right hand side	<input type="checkbox"/> HL-BASIC	Halogen H7 head lamps
<input type="checkbox"/> RUS-BAS	Rear cab upper storage 154 litres - 300 mm high	<input type="checkbox"/> HL-CLEAN	Head lamp cleaner - washer jets
<input type="checkbox"/> RUS-HIG	Rear cab upper storage 245 litres - 440 mm high	<input type="checkbox"/> HLP-ST	Headlamp protection
<input type="checkbox"/> TABLE	Folding and height adjustable table - on lower bunk	<input checked="" type="checkbox"/> HL-ADJ	Headlight adjustment - Switch in cab
<input type="checkbox"/> REF-ICPK	Fridge: engine tunnel mounted preparation kit	<input type="checkbox"/> ASL-RF2	Two Hella H11 70W spotlamps in sign box - only available with the basic headlight and no lower driving lights.
<input type="checkbox"/> MICRO-PK	Preparation kit for microwave oven (wiring)	<input type="checkbox"/> ASL-RFPK	Preparation kit for two spotlamps in sign box
<input type="checkbox"/> BOTH-D	One bottle holder under dashboard centre section	<input type="checkbox"/> BEACOA2F	Two front roof mounted amber beacon rotating warning lamps
<input type="checkbox"/> COFMA-PK	Coffee maker, preparation kit.	<input type="checkbox"/> BEACOA2R	Two rear roof mounted (on accessory bracket) amber beacon flashing warning LED lamps
<input checked="" type="checkbox"/> INLI-BAS	Interior white LED lights - basic	<input type="checkbox"/> BEACON-P	Roof beacon wire preparation
<input type="checkbox"/> INLI-NL	Interior white and red night LED light with no dimmer	<input type="checkbox"/> BEACONA4	Four roof mounted (2 front/2 rear) amber beacon rotating warning lamps
<input type="checkbox"/> INLI-NLD	Interior white and red night LED light with dimmer	<input type="checkbox"/> CABPT-R1	Single outlet for roof mounted accessories
<input type="checkbox"/> ARL-FLEX	Two flexible reading lamps (snake lamps)	<input checked="" type="checkbox"/> CABPT-R2	Twin outlets for roof mounted accessories.
<input type="checkbox"/> RH-EE	Without roof hatch -Tinted glass emergency exit ONLY	<input type="checkbox"/> SPOTP-F	Spotlamp preparation in front, max 280W
<input type="checkbox"/> RH-ETR	Glass roof & escape hatch - Electrically operated, tinted glass with rear opening	<input type="checkbox"/> SPOTP-R	Spotlamp preparation on roof, max 280W
<input type="checkbox"/> RH-MSR	Steel roof & escape hatch - Manually operated with rear opening	<input type="checkbox"/> SPOTP-RF	Spotlamp preparation on cab roof and in cab front, max 2x280W
<input type="checkbox"/> RH-MTR	Glass roof & escape hatch - Manually operated, tinted glass with rear opening	<input type="checkbox"/> ROS-IL2	Preparation kit for illuminated roof sign with switch loose in cab, fit after registration
<input checked="" type="checkbox"/> URH	Without roof hatch	<input type="checkbox"/> CSGN-FMX	"Volvo FMX" headboard logo
<input type="checkbox"/> SWIND-BS	Extra side window on both sides behind "B" pillar	<input checked="" type="checkbox"/> HORN-F1S	Single tone Jericho air horn chassis mounted
<input type="checkbox"/> SWIND-PS	Rear side window, passenger side	<input type="checkbox"/> HORN-R2S	Two roof mounted air horns
<input type="checkbox"/> VANMIR	Vanity mirror in front shelf	<input type="checkbox"/> ANT-CBR	Roof mounted antenna for CB radio, single aerial
<input type="checkbox"/> AS-FUS	Extra shelf in front upper storage compartments	<input type="checkbox"/> ACCB-R-AP	Front, middle & rear roof mounted accessory brackets
<input type="checkbox"/> INFOT-PK	Preparation kit for the mounting of a flat screen TV in cab above the driver's door, includes bracket, electrical and speaker connections	<input type="checkbox"/> ACCB-R-F	Front roof mounted accessory bracket
		<input type="checkbox"/> ACCB-R-FM	Front & middle roof mounted accessory brackets
		<input type="checkbox"/> ACCB-R-FR	Front & rear roof mounted accessory brackets
		<input type="checkbox"/> ACCB-R-M	Middle roof mounted accessory bracket

CAB EXTERIOR

- PAICS-B** Basic cab paint - mirrors, sunvisor, instep and bumper supplied in natural finish - grey
- GLAS-TIN** Tinted windows.

Standard Equipment Optional Equipment

For more detailed information about cab and powertrain equipment, please refer to separate specification sheets.

For all possible options and combinations of options please consult your Volvo sales contact who can create a specification to match your requirements using the Volvo Sales Support system (VSS).

The factory reserves the right to modify design and change equipment without previous notification. The specification can vary from country to country.

MODEL RANGE

FMX11 8x6 Rigid - XX-High B Ride - N3G FM 86F R1CBX

- **ACCB-R** Rear roof mounted accessory bracket
- **ACCB-RM** Rear & middle roof mounted accessory brackets
- **REFS-TW** White cab conspicuity markings by packed in cab
- **REFS-TY** Yellow cab conspicuity markings by packed in cab

SUPERSTRUCTURE PREPARATIONS

- **SRWL-PK** Wiring preparation for side & rear work/reverse lamps on side of chassis and a three-position switch, maximum 280W
- **SWL-2FW** Two H3 70W white front chassis mounted (LH/RH side) working lamps and a 2-position switch (On/Off)
- **SWL-2RW** Two H3 70W white rear chassis mounted (LH/RH side) working lamps and a 2-position switch (On/Off)
- **SWL-4W** 4 H3 70W white front (2) & rear (2) chassis mtd (LH/RH side) working lamps & 2-pos switch (On/Off)
- **SWL-PK** Wiring preparation for side work/reverse lamps on side of chassis and a three-position switch, maximum 280W
- **WLC-H2A** Two H3/70W working lamps with amber coloured lens high mounted back of cab
- **WLC-H2W** Two H3/70W white working lamps high mounted on the back of cab
- **WLC-PKCH** Preparation kit (cables and switch) for cab mounted chassis working lamp
- **WLC-PKH** Preparation kit, cables and switch for high mounted working lamps back of cab
- **WLC-PKL** Preparation kit, cables and switch for low mounted working lamps back of cab
- **WLC-PKLH** Preparation kit - cables and switch for low and high mounted working lamps back of cab.
- **ECBB-BAS** Body builder electrical centre without body builder module
- **ECBB-HIG** Body builder electrical centre with body builder module
- **BBCHAS1** One 7-pole connector for Body builder interface
- **BBCHAS3** Three 7-pole connectors for Body builder interface
- **BEPR-T2** Body builder electrical software preparation for tipper with remote control
- **TD-BAS** Trailer detection WITHOUT LED sensing
- **TD-LED** Trailer detection with LED sensing
- **FBA-BTF** Lower front body attachments for torsionally flexible - platform body
- **FBA-BTSF** Lower front body attachments for torsionally semi-flexible body - box or curtainsider
- **HBA-FSFB** Holes for body attachments - flexible/semi-flexible body
- **HBA-SB** Holes for body attachments - stiff body
- **RBA-T2** Lower rear body attachments for helper frame
- **AUXL-SPK** Electrical preparation kit - wiring and switch for snow plough lights
- **TAILPRE2** Tail lift preparation kit, wireless remote operation
- **TAILPREP** Taillift preparation kit - cab switch and warning in driver display
- **AESW2** Two Body builder bistable electrical switches (marked AUX1 / AUX2)
- **AESW2PK** 2 Body builder bistable el.switches (marked AUX1/AUX2) and prep. for 4 more switches
- **AUXSW-4** Wiring for 4 extra switches (from Body builder electrical centre to switch positions)

DELIVERY SERVICES

- **TGW-4GWL** GSM/GPRS/4G modem, LTE & WLAN for telematics gateway
- **FMS-PK** Fleet Management System gateway

VOLVO

Volvo Truck Corporation
volvotrucks.com