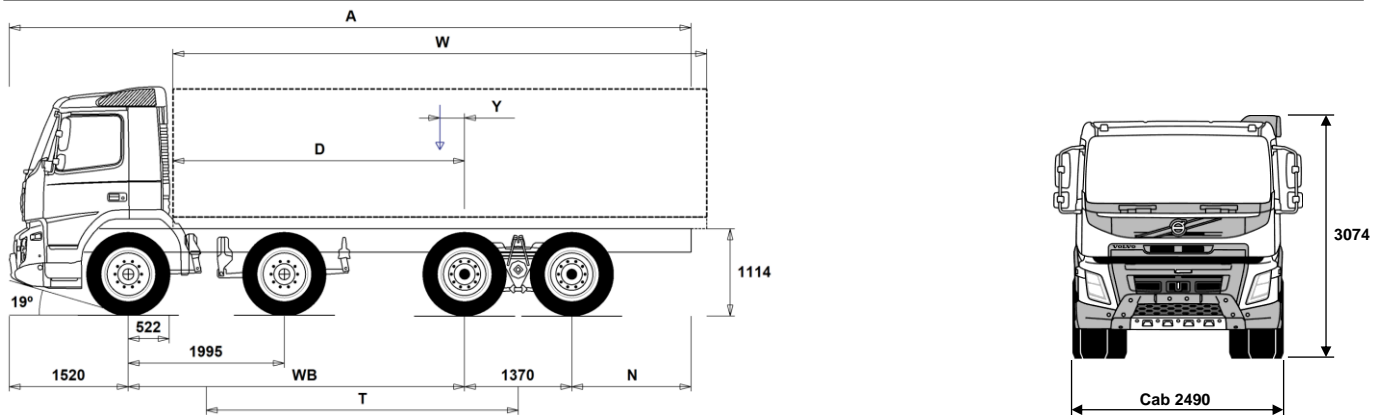


MODEL RANGE



Volvo Trucks. Driving Progress

FMX D11 84 Rigid High T-ride FM 84F R1HTX



Chassis Dimensions [mm]

WB Wheelbase	4300	4350	4600	4900	5100	5600
A Overall Chassis Length	9565	9665	10015	10465	10815	11565
D Center of rear axle to front of body	3728	3778	4028	4328	4528	5028
N Rear Overhang (Min.)	1225	1225	1225	1225	1225	1225
N Rear Overhang (Max.)	2375	2425	2525	2675	2825	3075
T Theoretical Wheelbase	3988	4038	4288	4588	4788	5288
Y Center of Gravity for Payload (Min.)	478	495	573	667	731	888
Y Center of Gravity for Payload (Max.)	478	495	573	667	731	888
W Body Length (Min.)	6498	6566	6910	7320	7593	8278
W Body Length (Max.)	6498	6566	6910	7320	7593	8278

Chassis Weights [kg]

Front Axles	6475	6465	6445	6415	6395	6360
Rear Bogie	2895	2915	3000	3075	3145	3255
Kerb Weight	9370	9380	9445	9490	9540	9615
Payload (including body, driver, fuel, etc.)	32630	32620	32555	32510	32460	32385

Turning Diameter [mm]

Turning Circle Diameter Kerb to Kerb	18100	18200	19000	20000	20600	22200
Turning Circle Diameter Wall to Wall	19500	19700	20500	21400	22100	23700

Plated Weights [kg]

Gross Vehicle Weight	42000
Gross Combination Weight	44000
Front Axles	16000
Rear Bogie	26000

Design

Important Notes

Chassis Dimensions

Cab Height: +416 mm for CAB-HSLP.
 Front Axle to Back of Cab: +424 mm for CAB-HSLP and CAB-SLP.
 D-measure includes a front clearance of 50 mm and for rigid trucks also a subframe of 100 mm.
 Height can vary ± 20 mm for leaf and ± 10 mm for air suspension.
 All dimensions are for unladen chassis and any tag axles down.
 Rear overhang used for vehicle weight calculation is the maximum rear overhang (N Max.) for selected wheelbase.

Weight and dimensions are based upon the following tyres:

Front Axle Tyres:	315/80R22.5
Drive Axle Tyres:	315/80R22.5

Chassis weight includes oil, water, AdBlue, 0 litres fuel and without driver. Kerb weight can vary $\pm 3\%$.

Turning diameters are theoretically calculated.

Legal weights can differ from country to country.

For more detailed weight information, including optional equipment weights, ask your Volvo sales contact to enter your specification into the Volvo Weight Information system (WIS).

Do NOT use this drawing for bodybuilding. Refer to Volvo Bodybuilder Instructions and chassis assembly drawing FM84FR1HTX.

MODEL RANGE

FMX D11 84 Rigid High T-ride FM 84F R1HTX

Transport operation

- RC-ROUGH** Rough road conditions.
 - Less than 95% of the driven distance on well maintained or less maintained surfaced roads.
 - and / or
 - In total not more than 5% of the driven distance on:
 - Very badly maintained surfaced roads.
 - Hard packed sand or gravel surface of very bad quality.
 - Washboards.
 - Soft unpaved surface.
 - Off-road.
- RC-VROUG** Trucks built for very rough road conditions are optimised for:
 - More than 5% of the driven distance on:
 - Very badly maintained surfaced roads.
 - Hard packed sand or gravel surface of very bad quality.
 - Soft unpaved surface.
 - Off road.
 - Occasional driving in severe off-road conditions.

- TIPP-PRE** Tipper vehicle preparation
- UNIFORM** Basic platform vehicle

Core components

- CHH-HIGH** Chassis height high - approx. 1000 mm above ground level
- RADD-TR1** Rear leaf suspension, 2 axles - 2 driven (Max. technical bogie load 26 tonnes)
- RADD-TR2** Rear leaf suspension, 2 axles - 2 driven (Max. technical boogie load 32 tonnes)
- FMX-DAY** FMX Day cab
- FMX-HSLP** FMX Globetrotter sleeper cab
- FMX-SLP** FMX Sleeper cab
- EU6SCR** Euro 6 emission level with Selective Catalytic Reduction (SCR), particulate filter and Exhaust Gas Recirculation (EGR)
- D11K330** Diesel engine, 10.8 litre Euro 6 SCR + EGR (Diesel particulate filter), 330 hp, 1600 Nm
- D11K380** Diesel engine, 10.8 litre Euro 6 SCR + EGR (Diesel particulate filter), 380 hp, 1800 Nm
- D11K430** Diesel engine, 10.8 litre Euro 6 SCR + EGR (Diesel Particulate Filter), 430 hp, 2050 Nm
- D11K460** Diesel engine, 10.8 litre Euro 6 SCR + EGR (Diesel Particulate Filter), 460 hp, 2200 Nm
- EBR-EPG** Engine brake with exhaust pressure governor, EPG
- EBR-EPGC** Volvo engine compression brake with exhaust pressure governor, EPG (for I-shift)
- EBR-VEB** Volvo Engine Brake, VEB (compression brake with exhaust pressure governor, EPG)
- AT2412F** I-Shift automated mechanical 12-speed gearbox without clutch pedal, max. engine torque 2400 Nm, max. permitted GCW 44000 kg.
- AT2612F** I-Shift automated mechanical 12-speed gearbox without clutch pedal, max. engine torque 2600 Nm, max. permitted GCW 100000 kg.
- ATO2612F** I-Shift automated mechanical 12-speed overdrive gearbox without clutch, max. engine torque 2600 Nm, max. permitted GCW 100000 kg.
- PT2106** Suitable for hub reduction rear axles. Powertronic automatic 6-speed gearbox, max. engine torque 2100 Nm, max. permitted GCW 100000 kg
- RTH2610F** Rear hub reduction tandem axles - bogie load 26 tonnes, GCW 100 tonnes, version F
- RTH3210F** Rear hub reduction tandem axles - bogie load 32 tonnes, GCW 100 tonnes, version F
- RTS2370A** Rear single reduction tandem axles - bogie load 23 tonnes, GCW 70 tonnes

Packages

- EDITION** Exterior Striping/Emblem. Model specific design on FH,FM,FH16 and FMX
- DRIVEFM** Driving package FM

Standard Equipment

Optional Equipment

For more detailed information about cab and powertrain equipment, please refer to separate specification sheets.

For all possible options and combinations of options please consult your Volvo sales contact who can create a specification to match your requirements using the Volvo Sales Support system (VSS).

The factory reserves the right to modify design and change equipment without previous notification. The specification can vary from country to country.

- DRIVEFM+** Driving plus package FM
- BEDFM** Bed resting package FM
- AUDBAS** Audio basic. RDS radio with CD player, FM/AM antenna and speakers in dashboard & doors. Prepared for Dynafleet office internet portal support.
- AUDHIG** High power audio system. RDS radio with CD player (also playing mp3/wma/wav files from CD), FM/AM antenna, speakers in dashboard & doors & sleeping compartment, integrated bluetooth phone and USB/Line inputs. Prepared for Dynafleet office internet portal support.
- MEDIA** Media package with infotainment. Prepared for Dynafleet office internet portal support.
- MEDIADF** Media package with infotainment. Prepared for both Dynafleet vehicle onboard support and for Dynafleet office internet portal support.
- MEDIANAV** Media package with infotainment and Navigation support and prepared for Dynafleet office internet portal support.
- MEDIANDF** Media package with infotainment and Navigation support and prepared for Dynafleet vehicle onboard support and for Dynafleet office internet portal support.
- ENOPT** Energy optimization package
- ENOPT+** Energy optimization+ package
- OFFRFMXD** Construction package for FMX day cab
- OFFRFMXS** Construction package for FMX sleeper cabs
- RCHAPAC1** Rigid chassis package

Chassis

- FST-PAR** 2 leaf front parabolic suspension (normal stiffness)
- FST-PAR3** 3 leaf front parabolic suspension (stiffer than normal)
- FAL16.0** Front axle load 16.0 tonnes, double front axles
- FAL18.0** Front axle load 18.0 tonnes, double front axles
- FAL20.0** Front axle load 20.0 tonnes, double front axles
- FSTAB** Front stabilizer with normal stiffness
- FSTAB2** Front stabilizer with medium high stiffness
- FSTAB3** Front stiff stabilizer
- RAL23** Rear axles load 23 tonnes
- RAL26** Rear axles load 26 tonnes
- RAL32** Rear axles load 32 tonnes
- RSTAB1** Rear stabilizer with normal stiffness
- ACTST-TO** Volvo Dynamic Steering (VDS) with extra pump and torque overlay
- ASFE-BAS** Volvo Dynamic Steering feature basic
- ASFE-PS** Volvo Dynamic Steering personal settings
- PSS-DUAL** Dual power steering system
- PSS-SING** Single power steering system
- PSP-VAR** Power steering pump with variable displacement
- EBS-MED** EBS (Electronic Brake System) medium package:
 - ABS (Anti-lock Braking System)
 - Lining Wear Sensing (20 % left)
 - Lining Wear Control (incl. wear on the axle)
 - Brake Blending
 - Drag Torque Control
 - Diff Lock Synchronization
 - Diff lock Control
 - Brake Temperature Warning
 - External Brake Demand
 - Diagnosis Via Truck Electronic System
 - Traction Control System
 - Emergency Brake Assistance
 - Constant Wheel Brake Monitoring
 - Coupling Force Control
 - Automatic Parking Brake Activation
 - Lining Wear Analyses (calc of remaining mileage)
 - Hill Starting Assistance
 - EBS status monitoring via Truck Electronic System
- EBS-STD** EBS (Electronic Brake System) standard package:
 - ABS (Anti-lock Braking System)

MODEL RANGE

FMX D11 84 Rigid High T-ride FM 84F R1HTX

	- Lining Wear Sensing (20 % left)	<input type="checkbox"/> EXST-SSP	Bright polished vertical stainless steel exhaust top pipe
	- Lining Wear Control (incl. wear on the axle)	<input type="checkbox"/> EXST-ST	Aluminized steel vertical exhaust top pipe
	- Brake Blending	<input checked="" type="checkbox"/> WHC-FIX2	Two fixed wheel chocks
	- Drag Torque Control	<input type="checkbox"/> WHC-FOL2	2 foldable wheel chocks
	- Diff Lock Synchronization	<input type="checkbox"/> WHCP-F	Wheel chock(s) in the front part of the vehicle.
	- Diff lock Control		- TRACTOR, BBOX-L, Fold, 1/2 w chocks = Top of left side battery box
	- Brake Temperature Warning		- TRACTOR, BBOX-EF, Fold, 1/2 w chocks = Top of left side fuel tank
	- External Brake Demand		- TRACTOR, BBOX-EF, Fix, 2 w chocks = Left frame front of fuel tank
	- Diagnosis Via Truck Electronic System		- RIGID, 1 front axle, Fold, 1/2 w chocks = Top of left side battery box
	- Traction Control System		- RIGID, 2 front axles, Fold, Frame free space, 2 wc = Top of left side battery box
	- Emergency Brake Assistance		- RIGID, 2 front axles, Fix, W/o frame free space, 2 wc = Left frame behind 1st front wheel
	- Constant Wheel Brake Monitoring	<input type="checkbox"/> WHCP-R	Wheel chock(s) in the rear part of the vehicle
	- Coupling Force Control		- RIGID, 1 front axle, Fix, 1/2 w chocks = Left frame rear (or front) of rear wheels
	- Automatic Parking Brake Activation	<input type="checkbox"/> WHCP-T	Transport mounted wheel chock(s) in cab outer luggage compartment
<input type="checkbox"/> AUXPARK	Two extra parking brake chambers	<input type="checkbox"/> TB-L80	Left toolbox 800 mm length (mounting length 800 mm, real length 730 mm)
<input type="checkbox"/> RST-MUL	Rear conventional multi-leaf suspension	<input type="checkbox"/> TB-R80	Right toolbox 800 mm length (mounting length 800 mm, real length 730 mm)
<input checked="" type="checkbox"/> RST-PAR1	Rear parabolic leaf suspension with normal stiffness	<input type="checkbox"/> SUP-BAS	Standard aluminium bars for side underrun protection
<input checked="" type="checkbox"/> FBREG-E	Front axle regulating brake valve for EBS	<input type="checkbox"/> SUP-LOW	Low side underrun protection
<input checked="" type="checkbox"/> FRAME300	Frame rail section external height 300 mm	<input type="checkbox"/> CHAIN-S	Snow chains
<input checked="" type="checkbox"/> FST8080	Frame section thickness - web 8.0 mm / flange 8.0 mm	<input type="checkbox"/> HOOK-SC	Snow chain hooks. Rear mounted for tractors and side mounted in rear overhang for rigids. Two hooks on each side.
<input type="checkbox"/> FIL-EEEB	Frame inner liner from end of engine end to end of bogie	<input checked="" type="checkbox"/> TOWF-HD1	One heavy duty front towing device
<input type="checkbox"/> FIL-EEEF	Frame inner liner from end of engine end to end of frame	<input type="checkbox"/> TOWMBRH	High mounted towing member, in centre of frame
<input type="checkbox"/> FIL-FBEB	Frame inner liner from front of bogie to end of bogie	<input type="checkbox"/> TOWMBRL1	Towing member, low mounted under the frame (position 1)
<input type="checkbox"/> FIL-FBEF	Frame inner liner from front of bogie to end of frame	<input type="checkbox"/> TOWMBRM	Towing member, medium mounted in line with frame lower flange
<input checked="" type="checkbox"/> FIL-TXEB	Frame inner liner from transmission cross member to end of bogie	<input checked="" type="checkbox"/> RFEC-S	Rear frame end, straight cut (for regular platform applications)
<input type="checkbox"/> FIL-TXEF	Frame inner liner from transmission cross member to end of frame	<input type="checkbox"/> RFEC-U	Rear frame end, upper cut (for e.g. tipper, refuse and hooklift applications)
<input checked="" type="checkbox"/> BBOX-L	Battery box on left hand side	<input type="checkbox"/> C-RI4040	Towing coupling Ringfeder RF4040A G-150
<input type="checkbox"/> 2BAT210B	Gel batteries 2x210 Ah	<input type="checkbox"/> C-RI4045	Towing coupling Ringfeder RF4045A G-150
<input checked="" type="checkbox"/> 2BATT170	Batteries 2x170 Ah	<input type="checkbox"/> C-RI5055	Towing coupling Ringfeder RF5055A G-150
<input type="checkbox"/> 2BATT225	Batteries 2x225 Ah	<input type="checkbox"/> C-RO400G	Towing coupling Rockinger 400 G-150
<input checked="" type="checkbox"/> BATTAMP	Battery voltage and ampere gauge	<input type="checkbox"/> C-RO50	Towing coupling Rockinger 50 mm
<input type="checkbox"/> BATTIND	Battery voltage, ampere and battery status gauge with visual alerts	<input type="checkbox"/> C-VBG750	Towing coupling VBG 750V
<input type="checkbox"/> ADR2	ADR adaptation - transportation of dangerous goods, 2 switches (1 inside cab in dashboard, 1 outside on cab back passenger side).	<input type="checkbox"/> C-VBG850	Towing coupling VBG 8500
<input type="checkbox"/> MSWI-A	ADR main switch - ADR switch circuit shut down	<input type="checkbox"/> TOWR-ONE	One rear towing device in frame end cross member
<input checked="" type="checkbox"/> MSWI-C	Chassis main switch - battery box placed toggle switch circuit shut down	<input checked="" type="checkbox"/> TREL-PK	Trailer electrical preparation kit (chassis/cab wiring)
<input type="checkbox"/> MSWI-R	Remote controlled main switch - key fob operated circuit shut down	<input type="checkbox"/> TREL15	15 pol electrical trailer connector (ADR certified)
<input checked="" type="checkbox"/> UR-FUEL	Without right diesel tank Min volume 255l Max volume 810l	<input type="checkbox"/> TREL7-7	2x7 pol (24N+24S) electrical trailer connectors (UADR)
<input checked="" type="checkbox"/> UL-FUEL	Without left diesel tank Min volume 160l Max volume 450l	<input type="checkbox"/> TBC-DUO	Trailer brake connection, Duomatic
<input type="checkbox"/> ADTP-L	AdBlue tank on left hand side (for dual front axles between the axles)	<input type="checkbox"/> TBC-EC	Trailer brake connection, European Community
<input type="checkbox"/> ADTP-LF	AdBlue tank on left hand side at the front	<input type="checkbox"/> TRBR-STA	Stationary trailer brake control
<input checked="" type="checkbox"/> ADTP-R	AdBlue tank on right hand side	<input type="checkbox"/> TRB-STRE	Automatic low speed trailer brake activation (stretch brake) to avoid jack-knifing and to improve steerability
<input type="checkbox"/> ADB032	AdBlue tank usable volume 32 litres	<input type="checkbox"/> RUP-FOSL	Foldable and slidable aluminium rear underrun protection, EC approved
<input type="checkbox"/> ADB048	AdBlue tank usable volume 48 litres	<input type="checkbox"/> FFEND-B	Standard mounted fenders on second front axle
<input type="checkbox"/> ADB064	AdBlue tank usable volume 64 litres	<input type="checkbox"/> FFEND-T	Transport mounted fenders on second front axle
<input checked="" type="checkbox"/> FCAP-L	Lockable diesel and AdBlue tank caps	<input type="checkbox"/> RFEND-B	Rear 3 piece fenders with anti-spray function (all rear axles)
<input checked="" type="checkbox"/> FUFF-AS	Fuel filling anti-spillage device	<input type="checkbox"/> RFEND-T	Transport mounted one-piece rear fenders
<input type="checkbox"/> FUFF-ATS	Fuel filling anti-theft and anti-spillage devices	<input type="checkbox"/> RFH-BAS	Optimal fender installation (rear and 2nd front axle) with regard to legal demands, wheel/tyre sizes, chassis height and fifth
<input checked="" type="checkbox"/> ESH-LEFT	Horizontal muffler, left exhaust outlet		
<input checked="" type="checkbox"/> ESH-REAR	Horizontal muffler, rear exhaust outlet		
<input type="checkbox"/> ESH-VERT	Horizontal muffler, vertical exhaust outlet on right hand side		
<input checked="" type="checkbox"/> ESHVVERT	Horizontal and vertical muffler, vertical exhaust		
<input type="checkbox"/> ESV-VERT	Vertical muffler, vertical exhaust outlet on right hand side		
<input checked="" type="checkbox"/> Standard Equipment		<input type="checkbox"/> Optional Equipment	

For more detailed information about cab and powertrain equipment, please refer to separate specification sheets.

For all possible options and combinations of options please consult your Volvo sales contact who can create a specification to match your requirements using the Volvo Sales Support system (VSS).

The factory reserves the right to modify design and change equipment without previous notification. The specification can vary from country to country.

MODEL RANGE

FMX D11 84 Rigid High T-ride FM 84F R1HTX

- RFH-HIG** wheel height.
Highest fender installation (rear and 2nd front axle).
 - RFH-LOW** Suitable for rough and very rough road conditions.
Lower fender installation (rear and 2nd front axle).
Suitable only for smooth road conditions.
Increased risk of fender top wear.
 - ATANK-AL** Aluminium air tanks
 - ATANK-ST** Steel air tanks
 - TL-LED** LED tail lamps (tail light, exterior marker light, brake light, hazard warning light, reverse light, rear fog light, licence plate light and reflector).
 - BLIGHT-E** Emergency brake light
 - FRACLOS** Frame end closing
- ### Rims and Tyres
- RT-AL** Brushed aluminium rims with std holes (long stud fixing) on all axles
 - RT-ALDP** Dura-Bright polished aluminium rims with std holes (long stud fixing) on all axles
 - RT-ALDPD** Dura-Bright polished aluminium rims with countersunk holes (short stud fixing) on all axles
 - RT-ALDU** Brushed aluminium rims with countersunk holes (short stud fixing) on all axles
 - RT-SPOKE** Spoke rims on all axles
 - RT-STEEL** Steel rims on all axles
 - WCAP** Wheel caps
 - SPWT-D** Spare wheel with tyre equal to drive
 - SPWT-F** Spare wheel with tyre equal to front wheel
 - SWCP-LF** Spare wheel carrier on left side in front of rear axle
 - SWCP-T** Temporary spare wheel carrier.
Spare wheel is transport mounted (strapped on top of the frame rails) with plastic stripes.
 - SWCP-TP** Spare wheel carrier transport mounted with the spare wheel on top of the frame rails
 - JACK-12T** Jack 12 tonnes
 - JACK-15T** Jack 15 tonnes
 - JACK-20T** Jack 20 tonnes
 - TOOL-BAS** Basic tools (combination screw driver, socket wrench)
 - TOOLKIT** Extended tool kit
 - INFLAHOS** Tyre inflation hose (18 metres) with nozzles in both ends
 - GAUGE-TP** Tyre pressure gauge
 - OBDEP-C** EU6 mandatory on board diagnostics, phase C regulations
 - OBDEP-D** EU6 mandatory on board diagnostics, phase D regulations
- ### Powertrain equipment
- TRAP-HD** Reinforced gearbox application.
For manual gearboxes a heavy-duty nodular iron range housing.
For I-shift gearboxes (2412 excl.) a reinforced gear shifting system.
 - PVT-BAS** Basic topography information, learning by GPS positioning
 - PVT-EXT** Extended topography information, learning by GPS positioning and centrally stored data
 - TP-BAS** I-shift City gear changing software
 - TP-CON** I-shift construction gear changing software
 - TP-DIST** I-shift distribution gear changing software
 - TP-HD** I-shift Heavy Duty gear changing software
 - TP-LONG** I-shift long haul gear changing software
 - AMSO-AUT** I-shift manual gear shift available in automatic mode incl kickdown function
 - AVO-ENH** Enhanced I-shift software for construction and off road applications
 - APF-ENH** Enhanced I-shift PTO functions (Auto Neutral / Reverse Inhibit / Split Box Connection)
 - RET-TH** Retarder (incl cooler) for manual and I-shift gearboxes with oil
 - RET-TPT** as brake fluid
Retarder for hydraulic gearbox
 - TC-HWO** Cooler for hydraulic gearboxes - water/oil
 - TC-MAOH2** Extra high performance cooler for manual/I-shift gearboxes - air/oil
 - TC-MWO** Basic performance cooler for manual/I-Shift gearboxes - water/oil
 - TC-MWOH2** High performance cooler for manual/I-Shift gearboxes - water/oil
 - 2COM1100** Dual cylinder air compressor 760 cc / 1100 l/min
 - 2COMP900** Dual cylinder air compressor 636 cc
 - CLU-AIRC** Air compressor clutch automatically declutched when not needed in order to save fuel
 - AIRIN-HI** High air intake
 - AIRIN-LO** Low air intake
 - ACL1ST-S** Air cleaner with additional filter element (primary + secondary)
 - 24AL110B** Alternator 110 Ampere
 - 24AL120B** Alternator 120 Ampere
 - 24AL150B** Alternator 150 Ampere
 - CCV-C** Closed crankcase ventilation
 - PRIM-EL** Electrical priming pump for fast and easy bleeding of the fuel system
 - PRIM-MAN** Manual priming pump for fast and easy bleeding of the fuel system
 - AF-R** Hot fuel recirculation heated fuel filter
 - EST-AID** Engine start pre-heating element
 - 220EBH15** Engine block heater, 220 volt, 1.5 kW
 - PTER-100** Rear engine mounted clutch independent power-take-off with flange connection (DIN 100 / ISO 7646)
 - PTER-DIN** Rear engine mounted clutch independent PTO with splined shaft groove (female) for a close coupled pump (DIN 5462 / ISO 7653)
 - PTER1400** Rear engine mounted clutch independent power-take-off with flange connection (SAE 1410 / ISO 7647)
 - HPE-F101** Rear engine mounted hydraulic pump F1-101, fixed displacement, single flow
 - HPE-F41** Rear engine mounted hydraulic pump F1-41, fixed displacement, single flow
 - HPE-F51** Rear engine mounted hydraulic pump F1-51, fixed displacement, single flow
 - HPE-F61** Rear engine mounted hydraulic pump F1-61, fixed displacement, single flow
 - HPE-F81** Rear engine mounted hydraulic pump F1-81, fixed displacement, single flow
 - HPE-T53** Rear engine mounted hydraulic pump F2-53/53, fixed displacement, twin flow
 - HPE-T70** Rear engine mounted hydraulic pump F2-70/35, fixed displacement, twin flow
 - HPE-V45** Rear engine mounted hydraulic pump VP1-45, variable displacement, single flow
 - HPE-V75** Rear engine mounted hydraulic pump VP1-75, variable displacement, single flow
 - PTPT-D** Automatic gearbox driven power take-off, 1 front/upper connection (DIN 5462 / ISO 7653) for plug-in pump (max. 850 Nm).
 - PTPT-F** Automatic gearbox driven Power take-off, 1 front/upper rear facing flange connection (SAE 1410 / ISO 7647) for propeller shaft (max. 850 Nm).
 - PTR-D** Mechanical gearbox driven low speed power take-off, 1 rear connection (DIN 5462 / ISO 7653) for plug-in pump (max. 1000 Nm).
 - PTR-DH** Mechanical gearbox driven high speed power take-off, 1 rear connection (DIN 5462 / ISO 7653) for plug-in pump (max. 600 Nm).
 - PTR-DM** Mechanical gearbox driven medium speed power take-off, 1 rear connection (DIN 5462 / ISO 7653) for plug-in pump (max. 600 Nm).
 - PTR-F** Mechanical gearbox driven low speed power take-off, 1 rear

■ Standard Equipment

□ Optional Equipment

For more detailed information about cab and powertrain equipment, please refer to separate specification sheets.

For all possible options and combinations of options please consult your Volvo sales contact who can create a specification to match your requirements using the Volvo Sales Support system (VSS).

The factory reserves the right to modify design and change equipment without previous notification. The specification can vary from country to country.

MODEL RANGE

FMX D11 84 Rigid High T-ride FM 84F R1HTX

- PTRD-D** flange connection (SAE 1410 / ISO 7647) for propeller shaft (max. 1000 Nm).
Mechanical gearbox driven high speed power take-off, 1 rear and 1 front connections (DIN 5462 / ISO 7653) for plug-in pumps (max. 870 Nm).
 - PTRD-F** Mechanical gearbox driven high speed power take-off, 1 rear flange connection (SAE 1410 / ISO 7647) for propeller shaft (max. 870 Nm).
 - HPG-F101** Gearbox mounted hydraulic pump F1-101, fixed displacement, single flow
 - HPG-F41** Gearbox mounted hydraulic pump F1-41, fixed displacement, single flow
 - HPG-F51** Gearbox mounted hydraulic pump F1-51, fixed displacement, single flow
 - HPG-F61** Gearbox mounted hydraulic pump F1-61, fixed displacement, single flow
 - HPG-F81** Gearbox mounted hydraulic pump F1-81, fixed displacement, single flow
 - EIDLESD** Engine idle shut down
- Cab Interior, Driving**
- **STWPOS-L** Left hand drive
 - STWM-LE** Leather steering wheel
 - STGW-AD2** Mechanically adjustable steering wheel with neck tilt
 - **STGW-ADJ** Mechanically adjustable steering wheel
 - AIRBAG** Airbag on driver side
 - INST-BAS** Basic level instrument cluster - 4 inch monochrome display 240x320 pix
 - **DRC-AMII** Regeneration control of diesel filter particulates - auto initiation / manual on demand / manual inhibition
 - **1DAYDIG2** Gen 2 one day digital tachograph, EC approved
 - 1DAYDIGP** One day digital tachograph, EC approved + Prep Kit for TAS-DIG2
 - ARSL** Additional road speed limiter (switch in dashboard)
 - CRUIS-E** Cruise control I-Cruise with controls in the steering wheel, I-Roll incl. Adding PVT-EXT/-MAP give I-See.
 - **CRUISEC** Basic cruise control with controls in steering wheel
 - ESP-BAS1** Electronic Stability Program package intended for RIGID single vehicles or vehicle combinations with standard centre of gravity height when laden and for TRACTOR vehicle combinations with a single trailer or multiple trailers with ABS/EBS.
 - ESPC-RO** ESP (Electronic Stability Program) functionality control - Reduced / Off
 - HWSS-AC** Adaptive cruise control with forward collision warning
 - HWSS-ACB** Adaptive cruise control with forward collision warning (stationary and moving objects) and emergency braking. Using both radar and camera to collect info.
 - HWSS-FCB** Forward collision warning (stationary and moving objects) with emergency braking
 - LSS-DW** Lane keeping support - lane departure warning system
 - LCS** Lane Change Support
 - DAS-W** Driver Alert Support (drowsy driver warning)
 - RSENS-W** Wiper rain sensor
 - CU-ECC** Fully electrically controlled air conditioning with sun sensor
 - CU-ECC2** Fully electrically controlled air conditioning with sun sensor, mist sensor, air quality sensor and carbon filter
 - **CU-MCC** Electrical manually controlled air conditioning
 - **IMMOBIL** Immobiliser
 - ALARM-B** Burglar alarm - cab
 - ALARM-E** Burglar alarm - cab/body/trailer
 - ALCOLOCK** Alcolock
- BUPMON** Back-up monitor including a 7 inch colour display integrated in dashboard, Waeco CCD-camera (delivered loose in cab) with a heated lens, motorised lens protection, 1 m pigtail cable (front) and 10 metres chassis cable for tractor /20 metres for rigid. Camera wirings not installed. Use PCA30081 for installation.
 - PHONE-PK** Telephone preparation kit (antenna, antenna attachment, cable from antenna to radio shelf).
 - WLIFT-AD** Electrical window lift, auto up/down driver side; el operated on passenger side
 - **WLIFT-EB** Electrical window lift.
From the driver side both windows can be operated and from the passenger side the passenger side window can be operated.
 - ISUNS-BS** Manually manoeuvred side interior sun visor (roller blind type) on both sides
 - **ISUNS-DS** Manually manoeuvred side interior sun visor (roller blind type) on driver side
 - **ISUNF-B** Interior front plastic sun visors (driver and passenger side) without mirror on driver side
 - ISUNF-MD** Interior front plastic sun visors (driver and passenger side) with mirror on driver side
 - ISUNF-RE** Electrical textile interior sun visor (roller blind) integrated in front shelf
 - ISUNF-RM** Manual interior textile sun visor (roller-blind) integrated in front shelf
 - **CSPU-S** One open storage (behind push open lid) in upper part of dash panel center section
 - ADFS** Two extra DIN slots in front shelf (push/pull storage), 165x40x180 mm (WxHxD)
 - BUPALARM** Back-up alarm
 - RTOLL-PK** Preparation kit for road toll collect (GPS/GSM antenna and cables)
 - REMC-MF** Wireless remote control - multi functional
 - FIREXT2G** Fire extinguisher 2 kg, German decal
 - FIREXT3S** Fire extinguisher 3 kg, Swedish/English decal
 - WARNVEST** Warning vest. Fulfils European standard according to EN 471 class 2.
 - **WARNTRI2** Two warning triangles
 - **AIDKIT** First aid kit containing sticking plaster, washing and drying pads, compresses, elastic bandages, respiratory mask, gloves and scissors
 - AIDKIT1B** First aid kit containing sticking plaster, compresses, elastic bandages, gloves, scissors, triangular bandage, bandaging cloths, adhesive tape and rescue sheet (German requirements)
 - WARNLAMP** Portable warning lamp with batteries
 - LAMP-IN** Inspection lamp with 10 m cable
 - BULBKIT** Bulb and fuse kit
 - WRITEPAD** Writing pad with spring-loaded paper clip
- Cab Interior, Living**
- UPHTRI10** Seat upholstery with black embossed textile insert, black vinyl bolster and blue vinyl side insert & textile interior trim in matching grey/blue nuances
 - **UPHTRI11** Seat upholstery with light grey embossed textile insert, raven metallic vinyl bolster and red vinyl side insert & vinyl/textile interior trim in matching skylark/grey/black nuances
 - UPHTRI12** Seat upholstery with blue soft textile insert, black vinyl bolster & textile interior trim in matching grey/black/blue colours
 - UPHTRI13** Seat upholstery with dark grey leather insert and black leather bolster & vinyl/textile interior trim in matching grey/black nuances
 - UPHTRI14** Seat with dark grey leather insert and black leather bolster & textile interior trim in matching grey and black colours

■ Standard Equipment

Optional Equipment

For more detailed information about cab and powertrain equipment, please refer to separate specification sheets.

For all possible options and combinations of options please consult your Volvo sales contact who can create a specification to match your requirements using the Volvo Sales Support system (VSS).

The factory reserves the right to modify design and change equipment without previous notification. The specification can vary from country to country.

MODEL RANGE

FMX D11 84 Rigid High T-ride FM 84F R1HTX

<input checked="" type="checkbox"/> DST-CF1	Driver seat, comfort, suspended	<input type="checkbox"/> TABLE	Foldable and height adjustable table to be mounted to the lower bunk
<input type="checkbox"/> DST-CF4	Driver seat, comfort, suspended, belt in seat	<input type="checkbox"/> REF-ICPK	Refrigerator preparation kit, engine tunnel mounted
<input type="checkbox"/> DST-CF5	Driver seat, comfort, suspended, belt in seat, electrically heated	<input type="checkbox"/> REFR-RUS	28 litre rear upper wall mounted refrigerator with dividers
<input type="checkbox"/> DST-CF6	Driver seat, comfort, suspended, belt in seat, electrically heated, ventilated	<input type="checkbox"/> MICRO-PK	Preparation kit for microwave oven (el. cables to front shelf)
<input type="checkbox"/> SBD-RED	Red safety belts, passenger and driver seats	<input type="checkbox"/> BOTH-D	One 1.5 litre plastic soft-drink bottle holder under dashboard centre section
<input type="checkbox"/> SBPRE-DS	Driver seat belt pretensioner	<input type="checkbox"/> COFMA-PK	Preparation kit (24V) for coffee maker
<input type="checkbox"/> PST-BAS1	Passenger seat, basic, non suspended	<input checked="" type="checkbox"/> INLI-BAS	Interior white light with smooth light transition at on/off, no dimming
<input type="checkbox"/> PST-BENC	Bench passenger seat	<input type="checkbox"/> INLI-NL	Interior white and red (night) light with smooth light transition at on/off
<input type="checkbox"/> PST-CF4	Passenger seat, comfort, suspended, belt in seat	<input type="checkbox"/> INLI-NLD	Interior white and red (night) light with smooth light transition at on/off and dimmer
<input type="checkbox"/> PST-CF5	Passenger seat, comfort, suspended, belt in seat, electrically heated	<input type="checkbox"/> ARL-FLEX	Two (driver and passenger side) reading lamps with flexible arms (snake lamps) and led lamps fitted on side walls
<input checked="" type="checkbox"/> PST-STD2	Passenger seat, regular, non suspended	<input type="checkbox"/> RH-EE	Without roof hatch, sky window / emergency exit (tinted glass)
<input type="checkbox"/> PST-STD4	Passenger seat, regular, suspended	<input type="checkbox"/> RH-ETR	Roof hatch - Electrically operated / Tinted glass / Rear opening
<input type="checkbox"/> SBPRE-PS	Passenger seat belt pretensioner	<input type="checkbox"/> RH-MSR	Roof hatch - Manually operated / Steel / Rear opening
<input type="checkbox"/> ARM-DBPS	Two armrests on driver seat and one (outer) on passenger seat	<input type="checkbox"/> RH-MTR	Roof hatch - Manually operated / Tinted glass / Rear opening
<input type="checkbox"/> ARMRE-BB	Two armrests on both driver and passenger seats	<input checked="" type="checkbox"/> URH	Without roof hatch
<input type="checkbox"/> ARMRE-DB	Two armrests on driver seat	<input type="checkbox"/> SWIND-BS	Extra side window on both sides
<input type="checkbox"/> ARMRE-PB	Two armrests on passenger seat	<input type="checkbox"/> SWIND-PS	Rear side window on passenger side
<input type="checkbox"/> ARMRE-PS	Single armrest (next to driver) on passenger seat	<input type="checkbox"/> VANMIR	Vanity mirror in front shelf lid. In sleeper cab on passenger side and in high/extra high cabs in middle section of the front shelf.
<input type="checkbox"/> ARU-BAS	Vinyl armrest upholstery	<input type="checkbox"/> AS-FUS	One extra shelf in each of the two front upper storage compartments. Only 1 shelf if microwave oven mounted in one of the two compartments.
<input type="checkbox"/> ARU-LEA	Leather armrest upholstery	<input type="checkbox"/> INFOT-PK	Preparation kit (bracket, security straps, power cable, antenna cable and aux cable) for mounting of a television above driver door.
<input checked="" type="checkbox"/> FMAT-RU2	Two black rubber floor mats with raised edges and an extended side (FMX)		
<input type="checkbox"/> FMAT-RUB	Two black rubber floor mats		
<input type="checkbox"/> FMAT-T2E	Two dark grey textile floor mats and two black rubber floor mats with an extended side (FMX)		
<input type="checkbox"/> FMAT-TX2	Two textile (dark grey on FH/FM, black on FH16) and two black rubber floor mats		
<input type="checkbox"/> LBK-RES	Lower fixed rest kit, foldable to rear wall		
<input type="checkbox"/> LBK70	Lower fixed bunk, not foldable - 2000x700 mm. Safety net included.		
<input checked="" type="checkbox"/> ULBK	Without lower bunk		
<input type="checkbox"/> MATL-FI	Mattress lower bunk - firm for over approx. 100 kg, pocket springs.		
<input type="checkbox"/> MATL-SF	Mattress lower bunk - semi-firm up to approx 100 kg, pocket springs.		
<input type="checkbox"/> OLMAT-BA	Overlay mattress protector, 28 mm thick black textile		
<input type="checkbox"/> OLMAT-PR	Overlay mattress protector, 35 mm thick black textile		
<input type="checkbox"/> TBK60F	Fixed top bunk 600x1900 mm, foldable up to 52 degrees to rear wall (depending on cab version and upper storage). Safety net included.		
<input type="checkbox"/> TBK70F	Fixed top bunk 700x1900 mm, foldable up to 52 degrees to rear wall (depending on cab version and upper storage). Safety net included.		
<input type="checkbox"/> PH-CAB2	Cab parking heater, 2 kW		
<input type="checkbox"/> PH-ENGCA	Engine and cab parking heater		
<input type="checkbox"/> PH-SS	Short stop heater		
<input type="checkbox"/> SLCP-BAS	Basic sleeper control panel (controlling interior light, parking heater, roof hatch and door lock)		
<input type="checkbox"/> SAFE	Key operated safe box under bed (FH) or at bed end (FM)		
<input type="checkbox"/> ETSB-F	Storage on engine tunnel - on front top		
<input type="checkbox"/> ETSB-FR	Storage on engine tunnel - on front top and at rear cab wall		
<input type="checkbox"/> ETSB-FRS	Storage on engine tunnel - on front top & at rear cab wall & storage immersed into tunnel on RH side		
<input type="checkbox"/> ETSB-FS	Storage on engine tunnel - on front top and storage immersed into tunnel on right hand side		
<input type="checkbox"/> ETSB-R	Fixed engine tunnel storage box at rear cab wall		
<input type="checkbox"/> ETSB-RS	Storage on engine tunnel - at rear cab wall and storage immersed into tunnel on right hand side		
<input type="checkbox"/> ETSB-S	Storage on engine tunnel - immersed into tunnel on right hand side		
<input type="checkbox"/> RUS-BAS	Rear cab upper storage 154 litres (300 mm high)		
<input type="checkbox"/> RUS-HIG	Rear cab upper storage 245 litres (440 mm high)		

Standard Equipment

Optional Equipment

For more detailed information about cab and powertrain equipment, please refer to separate specification sheets.

For all possible options and combinations of options please consult your Volvo sales contact who can create a specification to match your requirements using the Volvo Sales Support system (VSS).

The factory reserves the right to modify design and change equipment without previous notification. The specification can vary from country to country.

MODEL RANGE

FMX D11 84 Rigid High T-ride FM 84F R1HTX

- | | |
|------------------------------------------------------------------------------------------------------------------------------------------------------------------------------------------------------------------------------------------------------------------------------------------------------------------------------------------------------------------------------------------------------------------------------------------------------------------------------------------------------------------------------------------------------------------------------------------------------------------------------------------------------------------------------------------------------------------------------------------------------------------------------------------------------------------------------------------------------------------------------------------------------------------------------------------------------------------------------------------------------------------------------------------------------------------------------------------------------------------------------------------------------------------------------------------------------------------------------------------------------------------------------------------------------------------------------------------------------------------------------------------------------------------------------------------------------------------------------------------------------------------------------------------------------------------------------------------------------------------------------------------------------------------------------------------------------------------------------------------------------------------------------------------------------------------------------------------------------------------------------------------------------------------------------------------------------------------------------------------------------------------------------------------------------------------------------------------------------------------------------------------------------------------------------------------------------------------------------------------------------------------------------------------------------------------------------------------------------------------------------------------------------------------------------------------------------------------------------------------------------------------------------------------------------------------------------------------------------------------------------------------------------------------------------------------------------------------------------------------------------------------------------------------------------------------------------------------------------------------------------------------------------------------------------------------------------------------------------------------------------------------------------------------------------------------------------------------------------------------------------------------------------------------------------------------------------------------------------------------------------------------------------------------------------------------------------------------------------------------------------------------------------------------------------------------------------------------------------------------------------------------------------------------------------------------------------------------------------------------------------------------------------------------------------------------------------------------------------------------------------------------------------------------------------------------------------------------------------------------------------------------------------------|-------------------------------------------------------------------------------------------------------------------------------------------------------------------------------------------------------------------------------------------------------------------------------------------------------------------------------------------------------------------------------------------------------------------------------------------------------------------------------------------------------------------------------------------------------------------------------------------------------------------------------------------------------------------------------------------------------------------------------------------------------------------------------------------------------------------------------------------------------------------------------------------------------------------------------------------------------------------------------------------------------------------------------------------------------------------------------------------------------------------------------------------------------------------------------------------------------------------------------------------------------------------------------------------------------------------------------------------------------------------------------------------------------------------------------------------------------------------------------------------------------------------------------------------------------------------------------------------------------------------------------------------------------------------------------------------------------------------------------------------------------------------------------------------------------------------------------------------------------------------------------------------------------------------------------------------------------------------------------------------------------------------------------------------------------------------------------------------------------------------------------------------------------------------------------------------------------------------------------------------------------------------------------------------------------------------------------------------------------------------------------------------------------------------------------------------------------------------------------------------------------------------------------------------------------------------------------------------------------------------------------------------------------------------------------------------------------------------------------------------------------------------------------------------------------------------------------------------------------------------------------------------------------------------------------------------------------------------------------------------------------------------------------------------------------------------------------------------------------------------------------------------------------------------------------------------------------------------------------------------------------------------------------------------------------------------------------------------------------------------------------------------------------------------------------------------------------------------------------------------------------------------------------------------------------------------------------------------------------------------------------------------------------------------------------------------------------------------------------------------------------------------------------------------------------------------------------------------------------------------------------------------------------------------------------------------------------------------------------------------------------------------------------------------------------------------------------------------------------------------------------------------------------------------------------------------------------------------------|
| <ul style="list-style-type: none"> ■ MIRSTDX Electrically heated robust main rear view mirrors and wide angle mirrors (both sides). Close view mirror on passenger side. ■ AMIR-F20 Front close view mirror above windscreen, passenger side (radius 200 mm) □ SUNV-H Exterior transparent dark grey front sun visor □ AD-ROOF Roof air deflector. Design (length, height etc.) automatically calculated and varies depending on vehicle total height (chassis height, cab type, tyres etc). □ AD-SIDEL Long cab side air deflector □ AD-SIDES Short cab side air deflectors ■ HL-BAS2 Halogen H1 head lamps (heavy duty) □ HL-BASIC Halogen H7 head lamps □ HL-CLEAN High pressure headlamp cleaner □ HLP-ST Steel headlamp protection ■ HL-ADJ Adjustable headlamps to adjust the height of the light beam ■ DRL-LED V-shaped ("V-light") day running light (LED). Turned on low beam gives a dimmed "V-light". □ ASL-RF2 Two Hella H11 70W spot lamps in sign box (one on each side of the Globetrotter sign) □ ASL-RFPK Preparation kit for two spot lamps in sign box □ BEACO2F Two front roof mounted amber rotating beacon warning lamps. Mounted on accessory bracket if ordered, otherwise on cab roof on both sides of the hatch. □ BEACO2R Two rear roof mounted (on accessory bracket) amber warning lamps. Rotating beacon lamps mounted on sleeper cab. Flashing LED lamps mounted on high/extra high sleeper cabs. □ BEACON-P Prepared wiring (switch and connected relay included) for warning lamps on cab roof. Max load 300 W. □ BEACON4 Four roof mounted amber warning lamps. 2 front mounted (on accessory bracket if ordered) rotating beacon lamps. 2 rear mounted (on mandatory accessory bracket) rotating beacon lamps on sleeper cab. 2 rear mounted (on mandatory accessory bracket) flashing LED lamps on high/xhigh sleeper cabs. □ CABPT-R1 One front cab roof pass through on passenger side ■ CABPT-R2 Two front cab roof pass throughs, one on each side □ SPOTP-F Spotlamp preparation in cab front, max 280W □ SPOTP-R Spotlamp preparation on cab roof, max 280W □ SPOTP-RF Spotlamp preparation on cab roof and in cab front, max 2x280W □ ROS-IL Illuminated roof sign with switch in radio shelf. Switch for turning on/off. □ ROS-IL2 Preparation kit for installing an illuminated roof sign*. It includes a prerouted cable harness, a switch and LED-lamps. The switch is connected in the radio shelf middle section. Switch cap with icon, are enclosed in cab. Lamps in sign are mounted. The stripe in the Globetrotter window is selected via the cab sign variants □ ROS-ILP Wiring preparation kit (wires and switch) for cab sign or roof air deflector illumination □ CSGN-FMX FMX decal in the cab roof sign area ■ HORN-F1S One front mounted (behind grille) single tone air horn, Jericho. Operated by steering wheel buttons. □ HORN-R2S Two roof mounted single tone chromed air horns. Operated by steering wheel buttons. □ ANT-CBR Right hand side roof mounted foldable antenna and cables for CB radio, single aerial. □ ACCBR-AP Front, middle & rear roof mounted accessory brackets □ ACCBR-F Front roof mounted accessory bracket □ ACCBR-FM Front & middle roof mounted accessory brackets □ ACCBR-FR Front & rear roof mounted accessory brackets | <ul style="list-style-type: none"> □ ACCBR-M Middle roof mounted accessory bracket □ ACCBR-R Rear roof mounted accessory bracket □ ACCBR-RM Rear & middle roof mounted accessory brackets □ REFS-TW Reflecting white cab side stripes by-packed in cab □ REFS-TY Reflecting yellow cab side stripes by-packed in cab <p>Superstructure preparations</p> <ul style="list-style-type: none"> □ BP-MI02 Body Builder preparation package Mixer (02) □ BP-TI03 Body Builder preparation package Tipper (03) □ SRWL-PK Wiring preparation for chassis mounted working lamps and a 3-position switch (On/Off/Reverse auto on). Max load 280W. □ SWL-2FW Two H3 70W white front chassis mounted (LH/RH side) working lamps and a 2-position switch (On/Off) □ SWL-2RW Two H3 70W white rear chassis mounted (LH/RH side) working lamps and a 2-position switch (On/Off) □ SWL-4W Four H3 70W white front (2) and rear (2) chassis mounted (LH/RH side) working lamps and a 2-position switch (On/Off) □ SWL-PK Wiring preparation for chassis mounted working lamps and a 2-position switch (On/Off). Max load 280W. □ WL-CHPK Preparation kit (switch and cable) for working lamp, max 2x70 W. Connector on chassis at gearbox. □ WLC-H2A Two H3/70W working lamps with amber coloured lens high mounted back of cab (switch incl). □ WLC-H2W Two H3/70W working lamps, white lens high mounted back of cab (switch incl). □ WLC-PKCH Preparation kit (cables and switch) for cab mounted chassis working lamp. Max load 280W. □ WLC-PKH Preparation kit (cables and switch) for high mounted working lamps back of cab (pass through in cab rear roof included). Max load 280W. □ WLC-PKL Preparation kit (cables and switch) for low mounted working lamps back of cab (pass through in cab rear wall included). Max load 280W. □ WLC-PKLH Preparation kit (cables and switch) for low and high mounted working lamps back of cab (pass throughs in rear wall and rear roof included). Max load 280W. □ ECBB-BAS Body builder electrical centre without any body builder module ■ ECBB-HIG Body builder electrical centre with cab body builder module □ BBCHAS1 One 7-pole connector for Body builder interface. Wiring harness routed from the bodybuilder electrical distribution box inside the cab to a connection point inside the right frame rail beside the gearbox. □ BBCHAS3 Three 7-pole connectors for Body builder interface. Wiring harness routed from the bodybuilder electrical distribution box inside the cab to a connection point inside the right frame rail beside the gearbox. □ BEPR-T2 Body builder electrical software preparation for tipper with remote control □ EXSTER Support for external steering control via body builder module □ TD-BAS Trailer detection without LED sensor ■ TD-LED Trailer detection with LED sensor □ FRFS-B5 Frame rail free space on both sides to give space for crane legs or other equipment. One front axle with day cab: 515/507 mm (L/R side). One front axle with long cab: 288/360 mm (L/R side). Two front axles with short cab: 632/572 mm (L/R side). Two front axles with long cab: 405/485 mm (L/R side). □ FBA-BTF Lower front body attachments for torsionally flexible platform body □ FBA-BTSF Lower front body attachments for torsionally semi-flexible body (van or curtainsider) □ HBA-FSFB Holes for body attachments, flexible/semi-flexible body □ HBA-SB Holes for body attachments, stiff body □ RBA-T2 Lower rear body attachments for helper frame □ CRANEPK1 Crane plates mounted to frame, interface for crane capacity up to 10 ton meter |
|------------------------------------------------------------------------------------------------------------------------------------------------------------------------------------------------------------------------------------------------------------------------------------------------------------------------------------------------------------------------------------------------------------------------------------------------------------------------------------------------------------------------------------------------------------------------------------------------------------------------------------------------------------------------------------------------------------------------------------------------------------------------------------------------------------------------------------------------------------------------------------------------------------------------------------------------------------------------------------------------------------------------------------------------------------------------------------------------------------------------------------------------------------------------------------------------------------------------------------------------------------------------------------------------------------------------------------------------------------------------------------------------------------------------------------------------------------------------------------------------------------------------------------------------------------------------------------------------------------------------------------------------------------------------------------------------------------------------------------------------------------------------------------------------------------------------------------------------------------------------------------------------------------------------------------------------------------------------------------------------------------------------------------------------------------------------------------------------------------------------------------------------------------------------------------------------------------------------------------------------------------------------------------------------------------------------------------------------------------------------------------------------------------------------------------------------------------------------------------------------------------------------------------------------------------------------------------------------------------------------------------------------------------------------------------------------------------------------------------------------------------------------------------------------------------------------------------------------------------------------------------------------------------------------------------------------------------------------------------------------------------------------------------------------------------------------------------------------------------------------------------------------------------------------------------------------------------------------------------------------------------------------------------------------------------------------------------------------------------------------------------------------------------------------------------------------------------------------------------------------------------------------------------------------------------------------------------------------------------------------------------------------------------------------------------------------------------------------------------------------------------------------------------------------------------------------------------------------------------------------------------------------------------|-------------------------------------------------------------------------------------------------------------------------------------------------------------------------------------------------------------------------------------------------------------------------------------------------------------------------------------------------------------------------------------------------------------------------------------------------------------------------------------------------------------------------------------------------------------------------------------------------------------------------------------------------------------------------------------------------------------------------------------------------------------------------------------------------------------------------------------------------------------------------------------------------------------------------------------------------------------------------------------------------------------------------------------------------------------------------------------------------------------------------------------------------------------------------------------------------------------------------------------------------------------------------------------------------------------------------------------------------------------------------------------------------------------------------------------------------------------------------------------------------------------------------------------------------------------------------------------------------------------------------------------------------------------------------------------------------------------------------------------------------------------------------------------------------------------------------------------------------------------------------------------------------------------------------------------------------------------------------------------------------------------------------------------------------------------------------------------------------------------------------------------------------------------------------------------------------------------------------------------------------------------------------------------------------------------------------------------------------------------------------------------------------------------------------------------------------------------------------------------------------------------------------------------------------------------------------------------------------------------------------------------------------------------------------------------------------------------------------------------------------------------------------------------------------------------------------------------------------------------------------------------------------------------------------------------------------------------------------------------------------------------------------------------------------------------------------------------------------------------------------------------------------------------------------------------------------------------------------------------------------------------------------------------------------------------------------------------------------------------------------------------------------------------------------------------------------------------------------------------------------------------------------------------------------------------------------------------------------------------------------------------------------------------------------------------------------------------------------------------------------------------------------------------------------------------------------------------------------------------------------------------------------------------------------------------------------------------------------------------------------------------------------------------------------------------------------------------------------------------------------------------------------------------------------------------------------------------------------|

■ Standard Equipment

□ Optional Equipment

For more detailed information about cab and powertrain equipment, please refer to separate specification sheets.

For all possible options and combinations of options please consult your Volvo sales contact who can create a specification to match your requirements using the Volvo Sales Support system (VSS).

The factory reserves the right to modify design and change equipment without previous notification. The specification can vary from country to country.

MODEL RANGE

FMX D11 84 Rigid High T-ride FM 84F R1HTX

- **CRANEPK2** Crane plates mounted to frame, interface for crane capacity up to 20 ton meter
- **CRANEPK4** Crane plates mounted to frame, interface for crane capacity up to 40 ton meter
- **AUXL-SPK** Electrical preparation kit (wiring and a switch in dashboard) for snow plough lights.
Preparation for installation of additional headlights and additional turning indicators.
- **TAILPRE2** Tail lift preparation kit, wireless remote operation
- **TAILPREP** Tail lift preparation kit, wire remote operation
- **AESW2** Two Body builder bistable electrical switches (marked AUX1 / AUX2)
- **AESW2PK** Two Body builder bistable electrical switches (marked AUX1/AUX2) and in an empty 4-group preparation another four bistable switches with dummy switch caps
- **AUXSW-4** Wiring for 4 extra hardwired switches (from Body builder electrical centre to switch positions)

Services

- **TGW-4GWL** Telematics gateway with 4G modem
- **TGW-PK** Telematics gateway preparation kit
- **FMS-PK** Fleet Management System gateway, preparation kit
- **DRUT** My truck app gives the driver instant status information and control of the vehicle remotely from a smartphone or tablet.
The variant enables the My truck app to connect to the vehicle.

VOLVO

Volvo Truck Corporation

volvotrucks.com