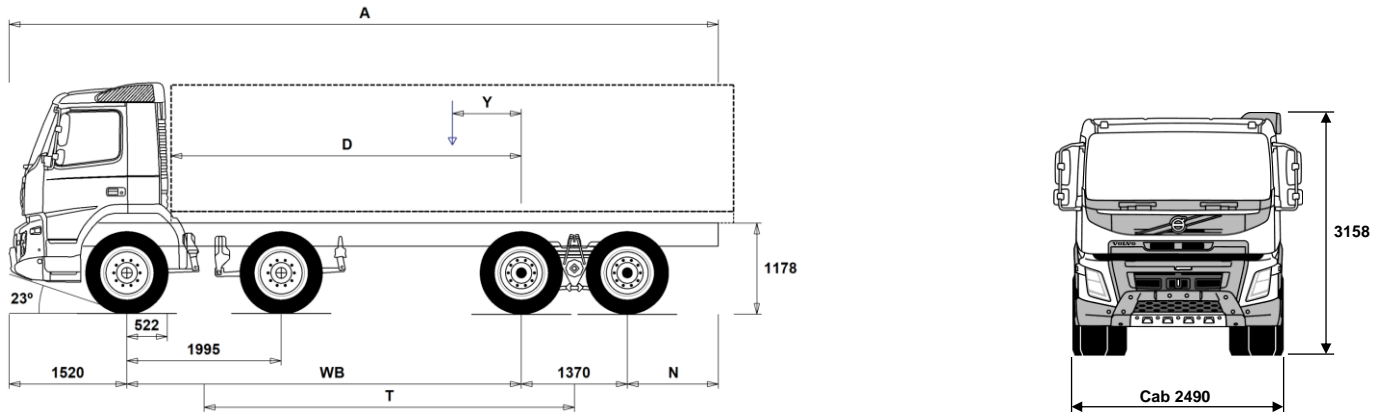


MODEL RANGE



Volvo Trucks. Driving Progress

FMX11 8x4 Rigid - X-High T ride - N3G Straight front axles for off-road de FM 84F R1CTX



Chassis Dimensions [mm]

WB Wheelbase	5100	5600
A Overall Chassis Length	9165	9665
D Center of rear axle to front of body	4528	5028
N Rear Overhang (Min.)	825	825
N Rear Overhang (Max.)	1175	1175
T Theoretical Wheelbase	4788	5288
Y Center of Gravity for Payload (Min.)	708	864
Y Center of Gravity for Payload (Max.)	1349	1574

Chassis Weights [kg]

Front Axles	6485	6455
Rear Bogie	3125	3215
Kerb Weight	9610	9670
Payload (including body, driver, fuel, etc.)	22390	22330

Turning Diameter [mm]

Turning Circle Diameter Kerb to Kerb	20600	22200
Turning Circle Diameter Wall to Wall	22100	23700

Plated Weights [kg]

	Plated	Design
Gross Vehicle Weight	32000	42000
Gross Combination Weight	44000	50000
Front Axles	16000	16000
Rear Bogie	19000	26000

Important Notes

Chassis Dimensions

Cab Height: +416 mm for CAB-HSLP.
 Front Axle to Back of Cab: +424 mm for CAB-HSLP and CAB-SLP.
 D-measure includes a front clearance of 50 mm and for rigid trucks also a subframe of 100 mm.
 Height can vary ± 20 mm for leaf and ± 10 mm for air suspension.
 All dimensions are for unladen chassis and any tag axles down.
 Rear overhang used for vehicle weight calculation is the maximum rear overhang (N Max.) for selected wheelbase.

Weight and dimensions are based upon the following tyres:

Front Axle Tyres:	315/80R22.5
Drive Axle Tyres:	315/80R22.5

Chassis weight includes oil, water, AdBlue, 0 litres fuel and without driver. Kerb weight can vary $\pm 3\%$.

Turning diameters are theoretically calculated.

Legal weights can differ from country to country.

For more detailed weight information, including optional equipment weights, ask your Volvo sales contact to enter your specification into the Volvo Weight Information system (WIS).

Do NOT use this drawing for bodybuilding. Refer to Volvo Bodybuilder Instructions and chassis assembly drawing FM84FR1CTX.

MODEL RANGE

FMX11 8x4 Rigid - X-High T ride - N3G Straight front axles for off-road de FM 84F R1CTX

TRUCK USE

- RC-ROUGH** Operating class on/off road
- RC-VROUG** Very rough road conditions
- **TIPP-PRE** Tipper vehicle preparation

CORE COMPONENTS

- **CHH-XHIG** Chassis height X-High - For a specific loading height always check the unique BEP chassis drawing
- **RADD-TR1** T-ride 1 rear two spring bogie suspension, 75mm wide springs
- RADD-TR2** T-ride 3 rear two spring bogie suspension, reinforced
- **FMX-DAY** Day cab - with steel safety cage design
Designed and built to Swedish impact and ECE R29 regulations
- FMX-HSLP** Globetrotter cab - with steel safety cage design
Designed and built to Swedish impact and ECE R29 regulations
- FMX-SLP** Sleeper cab - with steel safety cage design
Designed and built to Swedish impact and ECE R29 regulations
- **EU6SCR** Emission level - Euro 6
- **D11K330** D11K330 10.8 litre engine developing 330hp at 16-1900rpm.
Peak torque 1600Nm at 950-1400rpm.
- D11K380** D11K380 10.8 litre engine developing 380hp at 17-1900rpm.
Peak torque 1800Nm at 950-1400rpm.
- D11K430** D11K430 10.8 litre engine developing 430hp at 17-1800rpm.
Peak torque 2050Nm at 1058-1400rpm.
- D11K460** D11K460 10.8 litre engine developing 450hp at 16-1800rpm.
Peak torque 2200Nm at 1050-1400rpm.
- EBR-EPG** Exhaust brake controlled by steering column switch
- EBR-EPGC** Exhaust pressure governor for I shift gearbox
- EBR-VEB** Volvo engine brake and exhaust pressure governor retardation 300kW
- **AT2612F** AT2612F 12-speed "I-shift" automated mechanical gearbox suitable for gross train weights up to 60tonne only refer to sales engineering when used in conjunction with a PTO
- ATO2612F** ATO2612F 12-speed "I-shift" overdrive automated mechanical gearbox suitable for gross train weights up to 60tonne refer to sales engineering when used in conjunction with a PTO
- PT2106** Powertronic automatic 6-speed gearbox, max. engine torque 2100 Nm, max. permitted GCW 100000 kg
- **RTH2610F** RTH2610F hub reduction tandem 26tonne drive axles, GCW 100 tonnes with differential and cross locks*
* Cross locks replaced by a dog clutch if tandem axle lift is specified
- RTH3210F** RTH3210F hub reduction tandem 32 tonne drive axles, GCW 100 tonnes with differential and cross locks*
* Cross locks replaced by a dog clutch if tandem axle lift is specified
- RTH3312** RTH3312 hub reduction tandem 33tonne drive axles, GCW 120 tonnes with differential and cross locks*
* Cross locks replaced by a dog clutch if tandem axle lift is specified
- RTS2370A** RTS2370A single reduction tandem 23tonne drive axles with differential and cross locks* - design GCW 70tonnes.
* Cross locks replaced by a dog clutch if tandem axle lift is specified.

PACKAGES

- DRIVEFM** Cab Package: Drive
- DRIVEFM+** Cab Package: Drive +
- BEDFM** One bed resting package
- AUDHIG** High Power Audio system: RDS radio with CD player - also playing MP3/WMA files from CD -, with integrated bluetooth phone and USB/Line inputs. FM/AM antenna, speakers in dashboard, doors, and sleeping compartment.
- MEDIA** AM/FM Bluetooth radio without CD player.

■ Standard Equipment Optional Equipment

For more detailed information about cab and powertrain equipment, please refer to separate specification sheets.

For all possible options and combinations of options please consult your Volvo sales contact who can create a specification to match your requirements using the Volvo Sales Support system (VSS).

The factory reserves the right to modify design and change equipment without previous notification. The specification can vary from country to country.

- MEDIADF** USB and Aux line inputs.
Speakers in dashboard, doors, and sleeping compartment.
7" touch screen with personal apps.
AM/FM Bluetooth radio without CD player.
USB and Aux line inputs.
Speakers in dashboard, doors, and sleeping compartment.
7" touch screen with personal and professional apps.
Dynafleet vehicle on-board data display with office internet support.
- MEDIANAV** AM/FM Bluetooth radio without CD player.
USB and Aux line inputs.
Speakers in dashboard, doors, and sleeping compartment.
7" touch screen with personal and professional apps.
Truck based satellite navigation (live updates not included)
- MEDIANDF** AM/FM Bluetooth radio without CD player.
USB and Aux line inputs.
Speakers in dashboard, doors, and sleeping compartment.
7" touch screen with personal and professional apps.
Truck based satellite navigation (live updates not included)
Dynafleet vehicle on-board data display with office internet support.
- RCHAPAC1** Chassis Package Rigid

CHASSIS

- **FST-PAR3** Front suspension type - 3 leaf parabolic springs
- **FAL16.0** Front axles design capacity 16 tonnes - 2 x 8.0 tonne front axles
- FAL18.0** Front axles design capacity 18 tonnes - 2 x 9 tonne front axles - check tyre load index
- FAL20.0** Front axles design capacity 20 tonnes - 2 x 10.0 tonne front axles only available with front air suspension.
- **FSM-LUB** Lubricated rear shackles on front suspension pins and bushings
- FSTAB** Front anti-roll bar
- **FSTAB2** Front anti-roll bar medium stiffness
- FSTAB3** Front stiff anti-roll bar
- RAL23** Rear bogie design capacity 23 tonnes
- **RAL26** Rear bogie design capacity 26 tonnes
- RAL32** Rear bogie design capacity 32 tonnes
- **RSTAB1** Rear anti-roll bar
- RSAP2** Heavy duty rear suspension application (with reinforcements)
- ACTST-TO** Volvo Dynamic Steering (VDS) with with extra electronic pump and torque overlay
- ASFE-BAS** Active steering feature - Basic - Volvo Dynamic Steering only
- ASFE-PS** Active steering feature - Volvo Dynamic Steering with personal settings
- **PSS-DUAL** Dual power steering system
- **PSP-VAR** Power steering pump with variable displacement
- **EBS-MED** EBS medium package including "hill" hold function
- AUXPARK** Additional spring parking brakes
- RST-MUL** Rear Suspension, Multi-leaf springs
- **RST-PAR1** Rear Suspension, Parabolic springs
- **FBREG-E** Front regulating brake valve, EBS
- **FRAME300** Frame rail section external height 300 mm
- **FST8080** Frame thickness - web and flange 8.0mm
- FIL-EEEE** Inner liner from end of engine to end of bogie
- FIL-EEEE** Inner liner from end of engine to end of frame
- FIL-FBEB** Inner liner over rear bogie
- FIL-FBEF** Inner liner from front of bogie to end of frame
- **FIL-TXEB** Inner liner from gearbox member to end of bogie
- FIL-TXEF** Inner liner from gearbox member to end of frame
- **BBOX-L** Battery box located on left hand side
- 2BAT210B** 2 x 210 Ah capacity Gel batteries
- **2BATT170** 2 x 170 Ah capacity batteries

MODEL RANGE

FMX11 8x4 Rigid - X-High T ride - N3G Straight front axles for off-road de FM 84F R1CTX

- 2BATT225** 2 x 225 Ah capacity batteries
- BATTAMP** Battery voltage and ampere gauge
- BATTIND** Battery charge indication
- ADR2** ADR package for transportation of dangerous goods on road (Note does NOT include safe loading pass package if required this is quoted separately)
- MSWI-A** Main switch - ADR switch circuit shut down
- MSWI-C** Main switch - Chassis mounted toggle switch by battery box
- MSWI-R** Main switch - Key fob operated remote controlled
- UR-FUEL** Without right fuel tank
Min volume 255l
Max volume 810l
- UL-FUEL** Without left fuel tank
Min volume 160l
Max volume 450l
- ADTP-L** AdBlue tank on left hand side
- ADTP-LF** AdBlue tank on left hand side at the front
- ADTP-R** AdBlue tank on right hand side
- ADB032** AdBlue tank usable volume 32 litres
- ADB048** AdBlue tank usable volume 48 litres
- ADB064** AdBlue tank usable volume 64 litres
- FCAP-L** Locking fuel filler cap
- FUFF-AS** Fuel filling anti-spillage device
- FUFF-ATS** Fuel filling anti-theft and anti-spillage devices
- ESH-LEFT** Horizontal silencer, left exhaust outlet
- ESH-REAR** Horizontal silencer, rear exhaust outlet
- ESH-RIGH** Horizontal silencer, right exhaust outlet
- ESH-VERT** Horizontal silencer, vertical exhaust outlet
- ESHVVERT** Horizontal chassis mounted diesel particulate filter and vertical SCR silencer behind cab
- EXST-SSP** Stainless steel exhaust stack - NOT polished
- EXST-ST** Steel exhaust stack
- WHC-FIX2** Two fixed wheel chocks
- WHC-FOL2** Two foldable wheel chocks
- WHCP-F** Wheel chock(s) stored in the front part of the vehicle
- WHCP-R** Wheel chock(s) stored in the rear part of the vehicle
- WHCP-T** Transport mounted wheel chock(s) stored in cab outer luggage locker
- TB-L80** Toolbox 800 mm, left side
- TB-R80** Toolbox 800 mm, right side
- SUP-LOW** EC approved low chassis side guards
- CHAIN-S** Snow chains
- TOWF-HD1** One heavy duty front towing device
- TOWMBRH** Towing member, high mounted in centre of frame, D = 190
- TOWMBRL1** Towing member, low mounted under the frame
- TOWMBRM** Towing member, medium mounted in line with frame lower flange
- RFEC-S** Rear frame end, straight cut for regular platform applications
- RFEC-U** Rear frame end, upper cut for tipper applications.
- C-RI4040** Towing coupling, Ringfeder 4040 G-150
- C-RI5055** Towing coupling, Ringfeder 5055 G-150
- C-RO400G** Towing coupling, Rockinger 400 G-150 for 40mm eyes
- C-RO50** Rockinger RO 50 50mm for centre axle trailer
- TOWR-ONE** Towing hitch attached to rear crossmember
- TREL-PK** Trailer electrical preparation kit - chassis/cab wiring
- TREL14** Single 14 pole electrical trailer connector
- TREL15** Single 15 pole electrical trailer connector - ADR certified
- TREL7** 7 pole - 24N trailer electrical suzie
- TREL7-7** 24N and 24S trailer electrical suzies
- TBC-DUO** Duomatic type air line connectors
- TBC-EC** Palm coupling type air line connectors
- TRBR-HCF** Full pressure hand controlled trailer brake
- TRBR-STA** Stationary trailer brake control
- TRB-STRE** Stretch Brake - Automatic low speed trailer brake activation to avoid jack-knifing and improve steerability
- RUP-FOSL** Folding & sliding EC approved aluminium rear underrun
- FFEND-B** Standard mounted mud wings on second front axle
- FFEND-T** Transport mounted mud wings on second front axle
- RFEND-B** Three piece EC approved rear mud wings and spray flaps
- RFEND-T** Rear mud wings, transport mounted
- RFH-BAS** Basic rear wing height
- RFH-HIG** High rear wing height - higher wing tops
- RFH-LOW** Lower rear wing height - shallower wing tops
- ATANK-AL** Aluminium air tanks
- ATANK-ST** Steel air tanks
- TL-LED** Rear lights LED
- BLIGHT-E** Emergency brake light

WHEELS & TYRES

- RT-AL** Alcoa brushed aluminium rims with standard holes for long stud fixing on all axles
- RT-ALDP** Alcoa Dura-Bright EVO aluminium rims with standard holes long stud fixing on all axles, requires cleaning with a ph neutral solution - washing up liquid.
- RT-ALDPD** Alcoa Dura-Bright EVO aluminium rims with countersunk holes for short stud fixing on all axles, requires cleaning with a ph neutral solution - washing up liquid.
- RT-ALDU** Alcoa brushed aluminium rims with countersunk holes for short stud fixing on all axles
- RT-STEEL** Steel rims on all axles
- WCAP** Aerodynamic hub caps
- SPWT-D** Spare wheel & tyre with rear tyre pattern
- SPWT-F** Spare wheel & tyre with front tyre pattern
- SWCP-LF** Spare wheel carrier on left side of chassis ahead of rear axle
- SWCP-T** Spare wheel supplied temporarily strapped to chassis
- SWCP-TP** Temporary spare wheel carrier on top of chassis frame
- JACK-12T** 12 tonne bottle jack
- JACK-15T** 15 tonne bottle jack
- JACK-20T** 20 tonne bottle jack
- TOOL-BAS** Basic Toolkit
- TOOLKIT** Complete tool kit
- INFLAHOS** Tyre inflation hose
- GAUGE-TP** Tyre pressure gauge

DRIVELINE EQUIPMENT

- TRAP-HD** Reinforced gearbox application
- TP-CON** Construction Package
- TP-DIST** Distribution Package
- TP-HD** I-shift software - Heavy duty for high GCW
Special conditions apply consult Sales Engineering
Long Haul Package
- TP-LONG** Enhanced I-shift software with manual shift available in auto mode and kickdown facility on accelerator pedal
- AMSO-AUT** Enhanced software for off road driveability and starting
- AVO-ENH** I-shift enhanced PTO functions
- RET-TH** Gearbox mounted retarder
- RET-TPT** Hydraulic Retarder for Powertronic gearbox
- TC-HWO** Automatic gearbox oil cooler - water to oil
- TC-MAOH2** Extra high performance transmission oil cooler - air to oil with front mounted radiator
- TC-MWO** Basic transmission oil cooler - water to oil
- 1COMP530** Single cylinder, air compressor, 530 litres per minute
- 2COM1100** Two cylinder, air compressor, 1100 litres per minute

Standard Equipment Optional Equipment

For more detailed information about cab and powertrain equipment, please refer to separate specification sheets.

For all possible options and combinations of options please consult your Volvo sales contact who can create a specification to match your requirements using the Volvo Sales Support system (VSS).

The factory reserves the right to modify design and change equipment without previous notification. The specification can vary from country to country.

MODEL RANGE

FMX11 8x4 Rigid - X-High T ride - N3G Straight front axles for off-road de FM 84F R1CTX

■ 2COMP900	Two cylinder, air compressor, 900 litres per minute	□ EIDLESD	Engine idle shut down
□ CLU-AIRC	Clutchable air compressor	■ STWPOS-R	RIGHT HAND DRIVE
■ AIRIN-HI	Roof mounted air intake behind cab on left hand side	□ STWM-LE	Leather steering wheel
□ AIRIN-LO	Low level air intake behind cab on left hand side	□ STGW-AD2	Adjustable steering wheel with neck tilt
□ ACL1ST-S	Two stage air filter	■ STGW-ADJ	Adjustable steering wheel
■ 24AL110B	110 amp alternator	■ AIRBAG	SRS Driver's air bag
□ 24AL120B	120 amp alternator	■ DRC-AMII	DPF Regeneration control switch - for manual and switching off regeneration
□ 24AL150B	150 amp alternator	■ 1DAYDIG2	Continental VDO DTCO 4.0 smart tachograph This tachograph can ONLY offer remote download if the option of Dynafleet or an FMS gateway has been specified with this order.
■ CCV-C	Closed crankcase engine ventilation	□ 1DAYDIGP	Continental VDO DTCO 3.0 digital tachograph For vehicles with long lead time - this includes prep kit for the retrofit of DTCO 4.0 tachograph. For updating to new legal demand for trick registration from 15th June 2019. This tachograph can ONLY offer remote download if the option of Dynafleet or an FMS gateway has been specified with this order.
□ CCV-OX	Closed crankcase ventilation for cold markets	□ ARSL	Additional road speed limit - switch in dashboard
■ PRIM-EL	Electrical priming pump	□ CRUIS-E	Eco cruise control (with eco-roll and I-cruise, controls in steering wheel)
□ PRIM-MAN	Manual priming pump	■ CRUISEC	Cruise control, standard
□ FUEQ-EH	Fuel line electric heater	□ ESP-BAS1	Electronic Stability Control
□ AF-R	Hot fuel recirculation heated fuel filter	□ ESPC-RO	ESP (Electronic Stability Program) functionality control - Reduced / Off
□ FUEFE2LW	Large engine mounted dual fuel filter with water separator	□ HWSS-ACB	Adaptive cruise control ACC with forward collision warning and AEBS advanced emergency brake system
■ FUEFE2SW	Small engine mounted dual fuel filter with water separator	□ HWSS-FCB	Forward collision warning with AEBS advanced emergency brake system
□ EST-AID	Air inlet manifold starting heater element	□ LSS-DW	Lane departure-warning system
□ 220EBH15	220V/1.5Kw electric engine block heater	□ LCS	Lane change support
□ PTER-100	Rear engine mounted power-take-off with DIN 100 / ISO 7646 flange	□ DAS-W	Driver Alert Support system
□ PTER-DIN	Rear engine mounted PTO with DIN5462 (female) splined shaft for a close coupled pump. Models with 3 steering axles will use this to drive the steering pump (AUXPSP)	□ RSENS-W	Rain sensing windscreen wipers
□ PTER1400	Rear engine mounted power-take-off with SAE 1410 flange	□ CU-ECC	Electrically controlled air conditioning with sun sensor
□ HPE-F101	Parker F1-101, engine mounted, fixed displacement, single flow, engine mounted hydraulic pump	□ CU-ECC2	Electrically controlled air conditioning with sun sensor, mist sensor, air quality sensor and carbon filter
□ HPE-F41	Parker F1-41, engine mounted, fixed displacement, single flow, engine mounted hydraulic pump	■ CU-MCC	Climate unit with manual controlled air conditioning
□ HPE-F51	Parker F1-51, engine mounted, fixed displacement, single flow, engine mounted hydraulic pump	■ IMMOBIL	Thatcham H2 approved immobiliser
□ HPE-F61	Parker F1-61, engine mounted, fixed displacement, single flow, engine mounted hydraulic pump	□ ALARM-B	Thatcham H1 approved vehicle alarm - Cab only
□ HPE-F81	Parker F1-81, engine mounted, fixed displacement, single flow, engine mounted hydraulic pump	□ ALARM-E	Enhanced vehicle alarm - Thatcham H1 approved - Cab plus external sensor for body/trailer
□ HPE-T53	Parker F2-53/53, engine mounted, Fixed displacement, Twin flow engine mounted hydraulic pump	□ ALCOLOCK	Alcolock
□ HPE-T70	Parker F2-70/35, engine mounted, Fixed displacement, Twin flow engine mounted hydraulic pump	□ BUPMON	Back up monitor with built in 7" screen on dash and one colour camera supplied loose for fitment by bodybuilder. Can accommodate up to 4 cameras for TfL Safe Scheme, CLOCS and FORS.
□ HPE-V45	Parker VP1-45, variable displacement, single flow, engine mounted hydraulic pump	□ PHONE-PK	Telephone preparation kit (antenna, antenna attachm. cable incl.)
□ HPE-V75	Parker VP1-75, variable displacement, single flow, engine mounted hydraulic pump	□ WLIFT-AD	Electrical window lift, automatic up/down driver side
□ PTPT-D	Powertronic PTO, 1 front/upper DIN connection for plug-in pump (max. 850 Nm)	■ WLIFT-EB	Electrical window lift
□ PTPT-F	Powertronic PTO, 1 front/upper rear facing SAE flange conn. for prop shaft (max.850 Nm)	□ WLIFT-ME	Mechanical window lift
□ PTR-D	Gearbox PTO for plug-in pump, 0.71xeng speed	□ ISUNS-BS	Side interior sun visor on both sides
□ PTR-DH	Gearbox driven high speed PTO for one plug-in hydraulic pump	■ ISUNS-DS	Driver's side interior sun visor
□ PTR-DM	Gearbox driven medium speed PTO for one plug-in hydraulic pump	■ ISUNF-B	Interior front sun visor without mirror
□ PTR-F	Gearbox driven PTO with rear flange connection	□ ISUNF-MD	Interior front sun visor with mirror on driver side
□ PTRD-D	Gearbox driven HIGH SPEED PTO for two plug-in hydraulic pumps	□ ISUNF-RE	Electrically operated textile interior sun blind
□ PTRD-F	PTO with 1 DIN + 1 flange connection rear, manual gearbox	□ ISUNF-RM	Manually operated textile interior sun blind
□ HPG-F101	Parker F1-101 gearbox mounted, fixed displacement, single flow, hydraulic pump		
□ HPG-F41	Parker F1-41 gearbox mounted, fixed displacement, single flow, hydraulic pump		
□ HPG-F51	Parker F1-51 gearbox mounted, fixed displacement, single flow, hydraulic pump		
□ HPG-F61	Parker F1-61 gearbox mounted, fixed displacement, single flow, hydraulic pump		
□ HPG-F81	Parker F1-81 gearbox mounted, fixed displacement, single flow, hydraulic pump		

■ Standard Equipment

□ Optional Equipment

For more detailed information about cab and powertrain equipment, please refer to separate specification sheets.

For all possible options and combinations of options please consult your Volvo sales contact who can create a specification to match your requirements using the Volvo Sales Support system (VSS).

The factory reserves the right to modify design and change equipment without previous notification. The specification can vary from country to country.

MODEL RANGE

FMX11 8x4 Rigid - X-High T ride - N3G Straight front axles for off-road de FM 84F R1CTX

- **CSPU-S** One open storage (behind push open lid) in upper part of dash panel center section
- **ADFS** Two extra DIN slots in front shelf - can be fitted with card or drawer available as an accessory
- **BUPALARM** Reverse alarm
- **RTOLL-PK** Road toll PREPARATION kit for trucks operating with "Toll Collect" in Germany
- **REMC-MF** Multi-functio wireless remote control
- **FIREXT3S** 3kg fire extinguisher mounted on seat base
- **WARNVEST** High visibility warning vest - no sleeves
- **AIDKIT** First aid kit
- **AIDKIT1B** First aid kit
- **WARNLAMP** Portable warning lamp
- **LAMP-IN** Inspection lamp
- **BULBKIT** Bulb and fuse kit
- **WRITEPAD** Writing pad
- **UPHTRI10** Seats: Black embossed textile insert with light grey sides, black vinyl side bolster with blue vinyl side insert.
Interior trim: Raven black bunk and curtains & blue textile side walls
- **UPHTRI11** Seats: Light grey embossed textile insert, black raven metallic vinyl bolster with red vinyl side insert.
Interior trim: Raven black bunk and curtains & grey vinyl side walls
- **UPHTRI12** Seats: Blue soft textile insert, black vinyl bolster.
Interior trim: Raven black bunk and curtains & blue textile side walls
- **UPHTRI13** Seats: Dark grey leather insert and black leather bolster.
Interior trim: Raven black bunk and curtains & grey vinyl side walls
- **UPHTRI14** Seat: Dark grey leather insert and black leather bolster.
Interior trim: Raven black bunk and curtains & blue textile side walls
- **DST-CF4** Driver seat, comfort, suspended, belt in seat
- **DST-CF5** Driver seat, comfort, suspended, belt in seat, electrically heated
- **DST-CF6** Driver seat, comfort, suspended, belt in seat, electrically heated, ventilated
- **SBD-RED** Red seat belts
- **SBPRE-DS** Driver seat belt pretensioner
- **PST-BAS1** Passenger seat - Fixed non suspended fold up with seatbelt mounted in cab
- **PST-BENC** Bench passenger seat
- **PST-CF4** Passenger seat - Comfort suspended with seatbelt mounted in seat
- **PST-CF5** Passenger seat - Comfort suspended & heated with seatbelt mounted in seat
- **PST-STD2** Passenger seat - Fixed non suspended with seatbelt mounted in cab
- **PST-STD4** Passenger seat - Standard suspended with seatbelt mounted in cab
- **SBPRE-PS** Passenger seat belt pretensioner
- **ARM-DBPS** Two armrests on driver seat and one (outer) on passenger seat
- **ARMRE-BB** Two armrests on both driver and passenger seat.
- **ARMRE-DB** Two armrests, on driver seat only
- **ARMRE-PB** Two armrests, on passenger seat only
- **ARMRE-PS** Single armrest (next to driver) on passenger seat
- **ARU-BAS** Vinyl upholstered armrest
- **ARU-LEA** Leather upholstered armrest
- **FMAT-RU2** Rubber floor mats, extended
- **FMAT-RUB** Rubber floor mats
- **FMAT-T2E**
- **FMAT-TX2** Textile and rubber floor mats
- **LBK-RES** Foldable rest bunk
- **LBK70** Lower bunk 700 x2000 mm, fixed
- **ULBK** Without lower bunk
- **MATL-FI** Firm lower bunk pocket sprung mattress
- **MATL-SF** Lower flexizone mattress - semi-firm, pocket springs up to 100kg - 16 stone
- **MATL-SO** Lower flexizone mattress - soft, pocket springs up to 85kg - 13.5 stone
- **OLMAT-BA** 35mm mattress overlay protector
- **OLMAT-PR** 50mm premium mattress overlay protector
- **TBK60F** Fixed foldable top bunk 600 x 1900mm
- **TBK70F** Fixed foldable top bunk 700 x 1900mm
- **PH-CAB2** 1.8kW Air to air night heater
- **PH-ENGCA** Engine and cab night heater
- **PH-SS** Short stop heater
- **SLCP-BAS** Basic sleeper control panel - includes interior light, parking heater, roof hatch and door lock
- **SAFE** Safe box for driver's personal items
- **ETSB-F** Storage on engine tunnel - on front top
- **ETSB-FR** Storage on engine tunnel - on front top and at rear cab wall
- **ETSB-FRS** Storage on engine tunnel - on front top & at rear cab wall & storage recessed into tunnel on right hand side
- **ETSB-FS** Storage on engine tunnel - on front top and storage recessed into tunnel on right hand side
- **ETSB-R** Storage on engine tunnel - box at rear cab wall
- **ETSB-RS** Storage on engine tunnel - at rear cab wall and storage recessed into tunnel on right hand side
- **ETSB-S** Storage on engine tunnel - recessed into tunnel on right hand side
- **RUS-BAS** Rear cab upper storage 154 litres - 300 mm high
- **RUS-HIG** Rear cab upper storage 245 litres - 440 mm high
- **TABLE** Folding and height adjustable table - on lower bunk
- **REF-ICPK** Fridge: engine tunnel mounted preparation kit
- **REFR-RUG** Fridge: 28 litre rear upper wall mounted with dividers
- **MICRO-PK** Preparation kit for microwave oven (wiring)
- **BOTH-D** One bottle holder under dashboard centre section
- **COFMA-PK** Coffee maker, preparation kit.
- **INLI-BAS** Interior white LED lights - basic
- **INLI-NL** Interior white and red night LED light with no dimmer
- **INLI-NLD** Interior white and red night LED light with dimmer
- **ARL-FLEX** Two flexible reading lamps (snake lamps)
- **RH-EE** Without roof hatch -Tinted glass emergency exit ONLY
- **RH-ETR** Glass roof & escape hatch - Electrically operated, tinted glass with rear opening
- **RH-MSR** Steel roof & escape hatch - Manually operated with rear opening
- **RH-MTR** Glass roof & escape hatch - Manually operated, tinted glass with rear opening
- Without roof hatch
- **URH**
- **SWIND-BS** Extra side window on both sides behind "B" pillar
- **SWIND-PS** Rear side window, passenger side
- **VANMIR** Vanity mirror in front shelf
- **AS-FUS** Extra shelf in front upper storage compartments
- **INFOT-PK** Preparation kit for the mounting of a flat screen TV in cab above the driver's door, includes bracket, electrical and speaker connections

CAB EXTERIOR

- **PAICS-B** Basic cab paint - mirrors, sunvisor, instep and bumper supplied in natural finish - grey
- **GLAS-TIN** Tinted windows.
- **AWIND-RF** Rear window

■ Standard Equipment □ Optional Equipment

For more detailed information about cab and powertrain equipment, please refer to separate specification sheets.

For all possible options and combinations of options please consult your Volvo sales contact who can create a specification to match your requirements using the Volvo Sales Support system (VSS).

The factory reserves the right to modify design and change equipment without previous notification. The specification can vary from country to country.

MODEL RANGE

FMX11 8x4 Rigid - X-High T ride - N3G Straight front axles for off-road de FM 84F R1CTX

- | | |
|---|---|
| <ul style="list-style-type: none"> <input type="checkbox"/> DGLAS-L Laminated door glass ■ LOCK-MAN Manual door locking <input type="checkbox"/> LOCK-MRP Manual door locking with internal remote control (from driver side) of passenger door <input type="checkbox"/> LOCK-REM Central locking with remote control ■ BUMP-HD Heavy duty front bumper <input type="checkbox"/> AUXFS Lower swinging cab step <input type="checkbox"/> GUARD-EH Engine guard to protect sump and engine hoses ■ BUGNET Insect screen in front of radiator <input type="checkbox"/> CTILT-P-E Electrically operated hydraulic cab tilt ■ CTILT-P-M Manually operated hydraulic cab tilt <input type="checkbox"/> FCABS-A Front cab suspension - Air ■ FCABS-M Front cab suspension - Mechanical spring <input type="checkbox"/> RCABS-A Rear cab suspension - Air ■ RCABS-M Rear cab suspension - Mechanical spring <input type="checkbox"/> MIRCOMFX Electrically heated and operated -FMX- main and wide-angle mirrors with manually adjusted passenger kerb mirror, to increase direct vision to the side the main mirrors have no cowlings ■ MIRSTDX Electrically heated -FMX- main and wide-angle mirrors with manually adjusted passenger kerb mirror, to increase direct vision to the side the main mirrors have no cowlings ■ AMIR-F20 Auxiliary front view mirror with a 200mm radius <input type="checkbox"/> SUNV-H External smoke grey sunvisor <input type="checkbox"/> AD-ROOF Roof air deflector <input type="checkbox"/> AD-SIDEL Side air deflector extension panels <input type="checkbox"/> AD-SIDES Short cab side air deflector for rigid bodywork ■ HL-BAS2 Halogen H1 head lamps <input type="checkbox"/> HL-BASIC Halogen H7 head lamps <input type="checkbox"/> HL-CLEAN Head lamp cleaner - washer jets <input type="checkbox"/> HLP-ST Headlamp protection ■ HL-ADJ Headlight adjustment - Switch in cab <input type="checkbox"/> ASL-RF2 Two Hella H11 70W spotlamps in sign box - only available with the basic headlight and no lower driving lights. <input type="checkbox"/> ASL-RFPK Preparation kit for two spotlamps in sign box <input type="checkbox"/> BEACOA2F Two front roof mounted amber beacon rotating warning lamps <input type="checkbox"/> BEACOA2R Two rear roof mounted (on accessory bracket) amber beacon flashing warning LED lamps <input type="checkbox"/> BEACON-P Roof beacon wire preparation <input type="checkbox"/> BEACONA4 Four roof mounted (2 front/2 rear) amber beacon rotating warning lamps <input type="checkbox"/> CABPT-R1 Single outlet for roof mounted accessories ■ CABPT-R2 Twin outlets for roof mounted accessories. <input type="checkbox"/> SPOTP-F Spotlamp preparation in front, max 280W <input type="checkbox"/> SPOTP-R Spotlamp preparation on roof, max 280W <input type="checkbox"/> SPOTP-RF Spotlamp preparation on cab roof and in cab front, max 2x280W <input type="checkbox"/> ROS-IL2 Preparation kit for illuminated roof sign with switch loose in cab, fit after registration <input type="checkbox"/> CSGN-FMX "Volvo FMX" headboard logo ■ HORN-F1S Single tone Jericho air horn chassis mounted <input type="checkbox"/> HORN-R2S Two roof mounted air horns <input type="checkbox"/> ANT-CBR Roof mounted antenna for CB radio, single aerial <input type="checkbox"/> ACCBR-AP Front, middle & rear roof mounted accessory brackets <input type="checkbox"/> ACCBR-F Front roof mounted accessory bracket <input type="checkbox"/> ACCBR-FM Front & middle roof mounted accessory brackets <input type="checkbox"/> ACCBR-FR Front & rear roof mounted accessory brackets <input type="checkbox"/> ACCBR-M Middle roof mounted accessory bracket <input type="checkbox"/> ACCBR-R Rear roof mounted accessory bracket | <ul style="list-style-type: none"> <input type="checkbox"/> ACCBR-RM Rear & middle roof mounted accessory brackets <input type="checkbox"/> REFS-TW White cab conspicuity markings by packed in cab <input type="checkbox"/> REFS-TY Yellow cab conspicuity markings by packed in cab <h2>SUPERSTRUCTURE PREPARATIONS</h2> <ul style="list-style-type: none"> <input type="checkbox"/> BP-MI02 <input type="checkbox"/> BP-TI03 <input type="checkbox"/> SRWL-PK Wiring preparation for side & rear work/reverse lamps on side of chassis and a three-position switch, maximum 280W <input type="checkbox"/> SWL-2FW Two H3 70W white front chassis mounted (LH/RH side) working lamps and a 2-position switch (On/Off) <input type="checkbox"/> SWL-2RW Two H3 70W white rear chassis mounted (LH/RH side) working lamps and a 2-position switch (On/Off) <input type="checkbox"/> SWL-4W 4 H3 70W white front (2) & rear (2) chassis mtd (LH/RH side) working lamps & 2-pos switch (On/Off) <input type="checkbox"/> SWL-PK Wiring preparation for side work/reverse lamps on side of chassis and a three-position switch, maximum 280W <input type="checkbox"/> WLC-H2A Two H3/70W working lamps with amber coloured lens high mounted back of cab <input type="checkbox"/> WLC-H2W Two H3/70W white working lamps high mounted on the back of cab <input type="checkbox"/> WLC-PKCH Preparation kit (cables and switch) for cab mounted chassis working lamp <input type="checkbox"/> WLC-PKH Preparation kit, cables and switch for high mounted working lamps back of cab <input type="checkbox"/> WLC-PKL Preparation kit, cables and switch for low mounted working lamps back of cab <input type="checkbox"/> WLC-PKLH Preparation kit - cables and switch for low and high mounted working lamps back of cab. <input type="checkbox"/> ECBB-BAS Body builder electrical centre without body builder module ■ ECBB-HIG Body builder electrical centre with body builder module <input type="checkbox"/> BBCHAS1 One 7-pole connector for Body builder interface <input type="checkbox"/> BBCHAS3 Three 7-pole connectors for Body builder interface <input type="checkbox"/> BEPR-T2 Body builder electrical software preparation for tipper with remote control <input type="checkbox"/> EXSTER External steering control, with VDS and bodybuilder module <input type="checkbox"/> TD-BAS Trailer detection WITHOUT LED sensing ■ TD-LED Trailer detection with LED sensing <input type="checkbox"/> FRFS-B5 Frame rail free space on both sides to give space for crane legs or other equipment. <input type="checkbox"/> FBA-BTF Lower front body attachments for torsionally flexible - platform body <input type="checkbox"/> FBA-BTSF Lower front body attachments for torsionally semi-flexible body - box or curtainsider <input type="checkbox"/> HBA-FSFB Holes for body attachments - flexible/semi-flexible body <input type="checkbox"/> HBA-SB Holes for body attachments - stiff body <input type="checkbox"/> RBA-T2 Lower rear body attachments for helper frame <input type="checkbox"/> CRANEPK1 Crane plates mounted to frame, for cranes up to 10 tonne metre capacity <input type="checkbox"/> CRANEPK2 Crane plates mounted to frame, for cranes up to 20 tonne metre capacity <input type="checkbox"/> CRANEPK4 Crane plates mounted to frame, for cranes up to 40 tonne metre capacity <input type="checkbox"/> AUXL-SPK Electrical preparation kit - wiring and switch for snow plough lights <input type="checkbox"/> TAILPRE2 Tail lift preparation kit, wireless remote operation <input type="checkbox"/> TAILPREP Taillift preparation kit - cab switch and warning in driver display <input type="checkbox"/> AESW2 Two Body builder bistable electrical switches (marked AUX1 / AUX2) <input type="checkbox"/> AESW2PK 2 Body builder bistable el.switches (marked AUX1/AUX2) and prep. for 4 more switches <input type="checkbox"/> AUXSW-4 Wiring for 4 extra switches (from Body builder electrical centre to switch positions) |
|---|---|

- Standard Equipment □ Optional Equipment

For more detailed information about cab and powertrain equipment, please refer to separate specification sheets.

For all possible options and combinations of options please consult your Volvo sales contact who can create a specification to match your requirements using the Volvo Sales Support system (VSS).

The factory reserves the right to modify design and change equipment without previous notification. The specification can vary from country to country.

MODEL RANGE

FMX11 8x4 Rigid - X-High T ride - N3G Straight front axles for off-road de FM 84F R1CTX

- **TGW-4GWL** GSM/GPRS/4G modem, LTE & WLAN for telematics gateway
- **FMS-PK** Fleet Management System gateway

VOLVO

Volvo Truck Corporation
volvotrucks.com