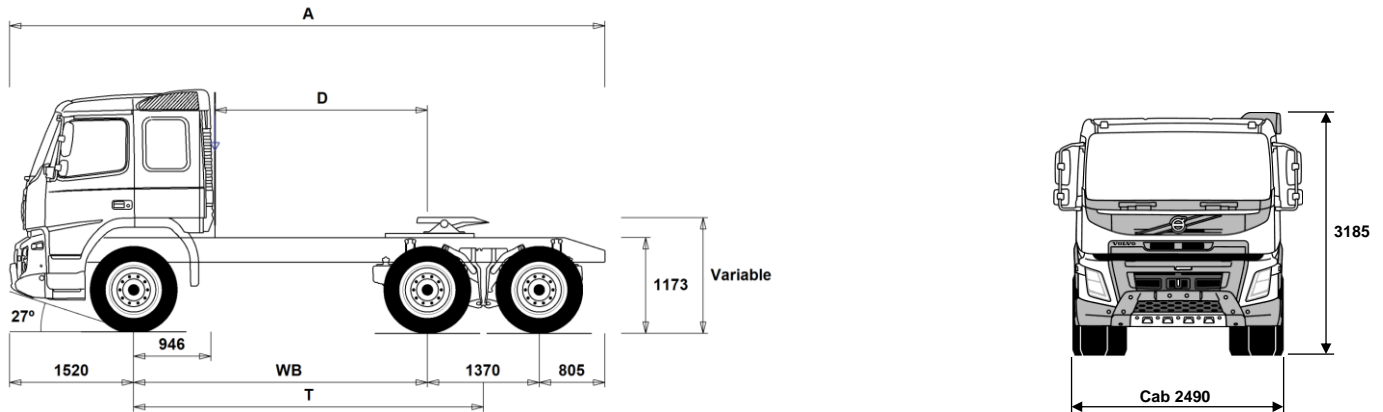


MODEL RANGE



Volvo Trucks. Driving Progress

FMX13 6x6 Tractor Rear Air Suspension - N3G FM 66 T3CAX



Chassis Dimensions [mm]

WB Wheelbase	3600	3700	3900
A Overall Chassis Length	7295	7395	7595
D Center of rear axle to back of cab	2604	2704	2904
T Theoretical Wheelbase	4285	4385	4585

Chassis Weights [kg]

Front Axle	5470	5480	5490
Rear Bogie	4310	4315	4330
Kerb Weight	9780	9795	9820

Turning Diameter [mm]

Turning Circle Diameter Kerb to Kerb	15200	15500	16100
Turning Circle Diameter Wall to Wall	16600	16900	17600

Plated Weights [kg]

	Plated	Design
Gross Vehicle Weight	26000	34000
Gross Combination Weight	44000	60000
Front Axle	8000	8000
Rear Bogie	19000	26000

Important Notes

Chassis Dimensions

Cab Height: +416 mm for CAB-HSLP.

Front Axle to Back of Cab: -424 mm for CAB-DAY.

D-measure includes a front clearance of 50 mm and for rigid trucks also a subframe of 100 mm.

Height can vary ± 20 mm for leaf and ± 10 mm for air suspension.

All dimensions are for unladen chassis and any tag axles down.

Weight and dimensions are based upon the following tyres:

Front Axle Tyres: 315/80R22.5

Drive Axle Tyres: 315/80R22.5

Chassis weight includes oil, water, AdBlue, 0 litres fuel and without driver. Kerb weight can vary $\pm 3\%$.

Turning diameters are theoretically calculated.

Legal weights can differ from country to country.

For more detailed weight information, including optional equipment weights, ask your Volvo sales contact to enter your specification into the Volvo Weight Information system (WIS).

Do NOT use this drawing for bodybuilding. Refer to Volvo Bodybuilder Instructions and chassis assembly drawing FM66T3CAX.

MODEL RANGE

FMX13 6x6 Tractor Rear Air Suspension - N3G FM 66 T3CAX

TRUCK USE

- **RC-ROUGH** Operating class on/off road

CORE COMPONENTS

- **CHH-XXHI** Chassis height XX High - For a specific loading height always check the unique BEP chassis drawing
- **RADD-G2** Rear air suspension, 2 axles - 2 driven, high ground clearance
- **FMX-DAY** Day cab - with steel safety cage design
Designed and built to Swedish impact and ECE R29 regulations
- **FMX-HSLP** Globetrotter cab - with steel safety cage design
Designed and built to Swedish impact and ECE R29 regulations
- **FMX-SLP** Sleeper cab - with steel safety cage design
Designed and built to Swedish impact and ECE R29 regulations
- **EU6SCR** Emission level - Euro 6
- **D13 420S** D13K420 12.8 litre engine developing 420hp at 14-1800rpm.
Peak torque 2100Nm at 860 -1400rpm.
- **D13 460S** D13K460 12.8 litre engine developing 460hp at 14-1800rpm.
Peak torque 2300Nm at 900-1400rpm.
- **D13 500S** D13K500 12.8l engine developing 500hp at 14-1800rpm.
Peak torque 2500Nm at 1000-1400rpm.
- **D13 540S** D13K540 12.8l engine developing 540hp at 14-1800rpm.
Peak torque 2600Nm at 1000-1450rpm.
- **D13K420** D13K420 - 420hp engine
- **D13K460** D13K460 - 460hp engine
- **D13K500** D13K500 - 500hp engine
- **D13K540** D13K540 - 540hp engine
- **EBR-EPG** Exhaust brake controlled by steering column switch
- **EBR-EPGC** Exhaust pressure governor for I shift gearbox
- **EBR-VEB+** Volvo engine brake + and exhaust pressure governor, enhanced performance from additional exhaust rocker control. Retardation 375kW
- **AT2612F** AT2612F 12-speed "I-shift" automated mechanical gearbox suitable for gross train weights up to 60tonne only refer to sales engineering when used in conjunction with a PTO
- **ATO2612F** ATO2612F 12-speed "I-shift" overdrive automated mechanical gearbox suitable for gross train weights up to 60tonne refer to sales engineering when used in conjunction with a PTO
- **PT2606** Powertronic automatic 6-speed gearbox, max. engine torque 2600 Nm, max. permitted GCW 130000 kg
- **RTH2610F** RTH2610F hub reduction tandem 26tonne drive axles, GCW 100 tonnes with differential and cross locks*
* Cross locks replaced by a dog clutch if tandem axle lift is specified

PACKAGES

- **DRIVEFM** Cab Package: Drive
- **DRIVEFM+** Cab Package: Drive +
- **BEDFM** One bed resting package
- **AUDHIG** High Power Audio system: RDS radio with CD player - also playing MP3/WMA files from CD -, with integrated bluetooth phone and USB/Line inputs. FM/AM antenna, speakers in dashboard, doors, and sleeping compartment.
- **MEDIA** AM/FM Bluetooth radio without CD player.
USB and Aux line inputs.
Speakers in dashboard, doors, and sleeping compartment.
7" touch screen with personal apps.
- **MEDIADF** AM/FM Bluetooth radio without CD player.
USB and Aux line inputs.
Speakers in dashboard, doors, and sleeping compartment.
7" touch screen with personal and professional apps.
Dynafleet vehicle on-board data display with office internet support.
- **MEDIANAV** AM/FM Bluetooth radio without CD player.

- Standard Equipment
- Optional Equipment

For more detailed information about cab and powertrain equipment, please refer to separate specification sheets.

For all possible options and combinations of options please consult your Volvo sales contact who can create a specification to match your requirements using the Volvo Sales Support system (VSS).

The factory reserves the right to modify design and change equipment without previous notification. The specification can vary from country to country.

- **MEDIANDF** USB and Aux line inputs.
Speakers in dashboard, doors, and sleeping compartment.
7" touch screen with personal and professional apps.
Truck based satellite navigation (live updates not included)
AM/FM Bluetooth radio without CD player.
USB and Aux line inputs.
Speakers in dashboard, doors, and sleeping compartment.
7" touch screen with personal and professional apps.
Truck based satellite navigation (live updates not included)
Dynafleet vehicle on-board data display with office internet support.

CHASSIS

- **FST-PAR3** Front suspension type - 3 leaf parabolic springs
- **FAL10.0** Front axle design capacity 10 tonnes - Ensure that you have checked the tyre load index
- **FAL8.0** Front axle design capacity 8.0 tonnes - Ensure that you have checked the tyre load index
- **FAL9.0** Front axle design capacity 9.0 tonnes - Ensure that you have checked the tyre load index
- **FSM-LUB** Lubricated rear shackles on front suspension pins and bushings
- **FSTAB** Front anti-roll bar
- **RAL26** Rear bogie design capacity 26 tonnes
- **RSTAB1** Rear anti-roll bar
- **RSTAB3** Rear stiff anti-roll bar
- **RALIM105** Rear axle load limiter, 10.5 tonnes
- **RALIM115** Rear axle load limiter, 11.5 tonnes
- **RALIM13** Rear axle load limiter, 13 tonnes
- **RALIM95** Rear axle load limiter, 9.5 tonnes
- **ASF-DL1** Air suspension with 1 driving level
- **ASF-DL3** Air suspension with 3 driving levels
- **PSP-FIX** Power steering pump with fixed displacement
- **PSP-VAR** Power steering pump with variable displacement
- **EBS-MED** EBS medium package including "hill" hold function
- **AUXPARK** Additional spring parking brakes
- **FRAME300** Frame rail section external height 300 mm
- **FST8080** Frame thickness - web and flange 8.0mm
- **FIL-EEEB** Inner liner from end of engine to end of bogie
- **FIL-TXEB** Inner liner from gearbox member to end of bogie
- **BBOX-L** Battery box located on left hand side
- **2BAT210B** 2 x 210 Ah capacity Gel batteries
- **2BATT170** 2 x 170 Ah capacity batteries
- **2BATT225** 2 x 225 Ah capacity batteries
- **BATTAMP** Battery voltage and ampere gauge
- **BATTIND** Battery charge indication
- **MSWI-C** Main switch - Chassis mounted toggle switch by battery box
- **MSWI-R** Main switch - Key fob operated remote controlled
- **R315A56** Right aluminium 560 mm D-shaped fuel tank, 315 litres volume
Min volume 255l
Max volume 630l
- **ADTP-BC** AdBlue tank behind/under cab on right hand side
- **ADTP-L** AdBlue tank on left hand side
- **ADTP-R** AdBlue tank on right hand side
- **ADB048** AdBlue tank usable volume 48 litres
- **ADB050** AdBlue tank usable volume 50 litres - under cab
- **ADB064** AdBlue tank usable volume 64 litres
- **ADB068** AdBlue tank usable volume 68 litres
- **ADB090** AdBlue tank usable volume 90 litres
- **FCAP-L** Locking fuel filler cap
- **FUFF-AS** Fuel filling anti-spillage device
- **FUFF-ATS** Fuel filling anti-theft and anti-spillage devices

MODEL RANGE

FMX13 6x6 Tractor Rear Air Suspension - N3G FM 66 T3CAX

<input checked="" type="checkbox"/> ESH-REAR	Horizontal silencer, rear exhaust outlet	<input type="checkbox"/> TC-HWO	Automatic gearbox oil cooler - water to oil
<input type="checkbox"/> ESH-VERT	Horizontal silencer, vertical exhaust outlet	<input type="checkbox"/> TC-MAOH2	Extra high performance transmission oil cooler - air to oil with front mounted radiator
<input type="checkbox"/> EXST-SSP	Stainless steel exhaust stack - NOT polished	<input type="checkbox"/> TC-MWO	Basic transmission oil cooler - water to oil
<input type="checkbox"/> EXST-ST	Steel exhaust stack	<input type="checkbox"/> 2COM1100	Two cylinder, air compressor, 1100 litres per minute
<input type="checkbox"/> WHC-FIX2	Two fixed wheel chocks	<input checked="" type="checkbox"/> 2COMP900	Two cylinder, air compressor, 900 litres per minute
<input type="checkbox"/> WHC-FOL2	Two foldable wheel chocks	<input type="checkbox"/> CLU-AIRC	Clutchable air compressor
<input type="checkbox"/> WHCP-F	Wheel chock(s) stored in the front part of the vehicle	<input checked="" type="checkbox"/> AIRIN-HI	Roof mounted air intake behind cab on left hand side
<input type="checkbox"/> WHCP-M	Wheel chock(s) stored in the middle part of the vehicle	<input type="checkbox"/> AIRIN-LO	Low level air intake behind cab on left hand side
<input type="checkbox"/> WHCP-T	Transport mounted wheel chock(s) stored in cab outer luggage locker	<input type="checkbox"/> ACL1ST-S	Two stage air filter
<input type="checkbox"/> TB-R80	Toolbox 800 mm, right side	<input checked="" type="checkbox"/> 24AL110B	110 amp alternator
<input type="checkbox"/> CHAIN-S	Snow chains	<input type="checkbox"/> 24AL120B	120 amp alternator
<input type="checkbox"/> HOOK-SC	Snow chain hooks	<input type="checkbox"/> 24AL150B	150 amp alternator
<input checked="" type="checkbox"/> TOWF-HD1	One heavy duty front towing device	<input checked="" type="checkbox"/> CCV-C	Closed crankcase engine ventilation
<input checked="" type="checkbox"/> RFEC-B	Rear frame end, bent down - standard for tractor vehicles	<input type="checkbox"/> CCV-O	Open crankcase engine breather
<input type="checkbox"/> TOWR-ONE	Towing hitch attached to rear crossmember	<input type="checkbox"/> CCV-OX	Closed crankcase ventilation for cold markets
<input type="checkbox"/> TREL15	Single 15 pole electrical trailer connector - ADR certified	<input checked="" type="checkbox"/> PRIM-EL	Electrical priming pump
<input type="checkbox"/> TREL7	7 pole - 24N trailer electrical suzie	<input type="checkbox"/> PRIM-MAN	Manual priming pump
<input checked="" type="checkbox"/> TREL7-7	24N and 24S trailer electrical suzies	<input type="checkbox"/> FUEQ-EH	Fuel line electric heater
<input checked="" type="checkbox"/> TBC-EC	Palm coupling type air line connectors	<input type="checkbox"/> AF-R	Hot fuel recirculation heated fuel filter
<input type="checkbox"/> TRBR-HCF	Full pressure hand controlled trailer brake	<input type="checkbox"/> FUEFE2LW	Large engine mounted dual fuel filter with water separator
<input checked="" type="checkbox"/> TRBR-STA	Stationary trailer brake control	<input checked="" type="checkbox"/> FUEFE2SW	Small engine mounted dual fuel filter with water separator
<input type="checkbox"/> RFEND-B	Three piece EC approved rear mud wings and spray flaps	<input type="checkbox"/> EST-AID	Air inlet manifold starting heater element
<input type="checkbox"/> RFH-BAS	Basic rear wing height	<input type="checkbox"/> 220EBH15	220V/1.5Kw electric engine block heater
<input type="checkbox"/> RFH-HIG	High rear wing height - higher wing tops	<input type="checkbox"/> PTER-100	Rear engine mounted power-take-off with DIN 100 / ISO 7646 flange
<input type="checkbox"/> RFH-LOW	Lower rear wing height - shallower wing tops	<input type="checkbox"/> PTER-DIN	Rear engine mounted PTO with DIN5462 (female) splined shaft for a close coupled pump. Models with 3 steering axles will use this to drive the steering pump (AUXPSP)
<input checked="" type="checkbox"/> TL-LED	Rear lights LED	<input type="checkbox"/> PTER1400	Rear engine mounted power-take-off with SAE 1410 flange
<input type="checkbox"/> BLIGHT-E	Emergency brake light	<input type="checkbox"/> HPE-F101	Parker F1-101, engine mounted, fixed displacement, single flow, engine mounted hydraulic pump
WHEELS & TYRES		<input type="checkbox"/> HPE-F41	Parker F1-41, engine mounted, fixed displacement, single flow, engine mounted hydraulic pump
<input checked="" type="checkbox"/> RT-STEEL	Steel rims on all axles	<input type="checkbox"/> HPE-F51	Parker F1-51, engine mounted, fixed displacement, single flow, engine mounted hydraulic pump
<input type="checkbox"/> SPWT-D	Spare wheel & tyre with rear tyre pattern	<input type="checkbox"/> HPE-F61	Parker F1-61, engine mounted, fixed displacement, single flow, engine mounted hydraulic pump
<input type="checkbox"/> SPWT-F	Spare wheel & tyre with front tyre pattern	<input type="checkbox"/> HPE-F81	Parker F1-81, engine mounted, fixed displacement, single flow, engine mounted hydraulic pump
<input type="checkbox"/> SWCP-T	Spare wheel supplied temporarily strapped to chassis	<input type="checkbox"/> HPE-T53	Parker F2-53/53, engine mounted, Fixed displacement, Twin flow engine mounted hydraulic pump
<input type="checkbox"/> SWCP-TP	Temporary spare wheel carrier on top of chassis frame	<input type="checkbox"/> HPE-T70	Parker F2-70/35, engine mounted, Fixed displacement, Twin flow engine mounted hydraulic pump
<input type="checkbox"/> JACK-20T	20 tonne bottle jack	<input type="checkbox"/> HPE-V45	Parker VP1-45, variable displacement, single flow, engine mounted hydraulic pump
<input checked="" type="checkbox"/> TOOL-BAS	Basic Toolkit	<input type="checkbox"/> HPE-V75	Parker VP1-75, variable displacement, single flow, engine mounted hydraulic pump
<input type="checkbox"/> TOOLKIT	Complete tool kit	<input type="checkbox"/> PTPT-D	Powertronic PTO, 1 front/upper DIN connection for plug-in pump (max. 850 Nm)
<input type="checkbox"/> INFLAHOS	Tyre inflation hose	<input type="checkbox"/> PTPT-F	Powertronic PTO, 1 front/upper rear facing SAE flange conn. for prop shaft (max.850 Nm)
<input type="checkbox"/> GAUGE-TP	Tyre pressure gauge	<input type="checkbox"/> PTR-D	Gearbox PTO for plug-in pump. 0.71xeng speed
DRIVELINE EQUIPMENT		<input type="checkbox"/> PTR-DH	Gearbox driven high speed PTO for one plug-in hydraulic pump
<input type="checkbox"/> ASO-C	Crawler gear - Ratio direct top gearbox 19:1 Ratio Overdrive gearbox 17:1	<input type="checkbox"/> PTR-DM	Gearbox driven medium speed PTO for one plug-in hydraulic pump
<input type="checkbox"/> ASO-ULC	Ultra low crawler and crawler gear - Ratios direct top gearbox 32:1 and 19:1 Ratios Overdrive box 32:1 and 17:1	<input type="checkbox"/> PTR-F	Gearbox driven PTO with rear flange connection
<input type="checkbox"/> TRAP-HD	Reinforced gearbox application	<input type="checkbox"/> PTRD-D	Gearbox driven HIGH SPEED PTO for two plug-in hydraulic pumps
<input type="checkbox"/> TP-CON	Construction Package	<input type="checkbox"/> PTRD-D1	PTRD-D1 Gearbox driven HIGH SPEED PTO (1 SAE flange & 1 plug-in hydraulic pump)
<input type="checkbox"/> TP-DIST	Distribution Package	<input type="checkbox"/> PTRD-D2	Gearbox driven HIGH SPEED PTO (2 SAE flanges & 1 plug-in hyd pump)
<input type="checkbox"/> TP-HD	I-shift software - Heavy duty for high GCW Special conditions apply consult Sales Engineering	<input type="checkbox"/> HPG-F101	Parker F1-101 gearbox mounted, fixed displacement, single
<input type="checkbox"/> TP-LONG	Long Haul Package		
<input type="checkbox"/> AMSO-AUT	Enhanced I-shift software with manual shift available in auto mode and kickdown facility on accelerator pedal		
<input type="checkbox"/> AVO-ENH	Enhanced software for off road driveability and starting		
<input type="checkbox"/> APF-ENH	I-shift enhanced PTO functions		
<input type="checkbox"/> RET-TPT	Hydraulic Retarder for Powertronic gearbox		
<input checked="" type="checkbox"/> Standard Equipment		<input type="checkbox"/> Optional Equipment	

For more detailed information about cab and powertrain equipment, please refer to separate specification sheets.

For all possible options and combinations of options please consult your Volvo sales contact who can create a specification to match your requirements using the Volvo Sales Support system (VSS).

The factory reserves the right to modify design and change equipment without previous notification. The specification can vary from country to country.

MODEL RANGE

FMX13 6x6 Tractor Rear Air Suspension - N3G FM 66 T3CAX

<input type="checkbox"/>	HPG-F41	flow, hydraulic pump Parker F1-41 gearbox mounted, fixed displacement, single flow, hydraulic pump	<input checked="" type="checkbox"/>	BUPALARM	Reverse alarm
<input type="checkbox"/>	HPG-F51	flow, hydraulic pump Parker F1-51 gearbox mounted, fixed displacement, single flow, hydraulic pump	<input type="checkbox"/>	RTOLL-PK	Road toll PREPARATION kit for trucks operating with "Toll Collect" in Germany
<input type="checkbox"/>	HPG-F61	flow, hydraulic pump Parker F1-61 gearbox mounted, fixed displacement, single flow, hydraulic pump	<input type="checkbox"/>	LOADIND	Load indicator with central dashboard display
<input type="checkbox"/>	HPG-F81	flow, hydraulic pump Parker F1-81 gearbox mounted, fixed displacement, single flow, hydraulic pump	<input type="checkbox"/>	REMC-MF	Multi-function wireless remote control
<input type="checkbox"/>	EIDLESD	Engine idle shut down	<input type="checkbox"/>	FIREXT3S	3kg fire extinguisher mounted on seat base
<input checked="" type="checkbox"/>	STWPOS-R	RIGHT HAND DRIVE	<input type="checkbox"/>	WARNVEST	High visibility warning vest - no sleeves
<input type="checkbox"/>	STWM-LE	Leather steering wheel	<input type="checkbox"/>	AIDKIT	First aid kit
<input type="checkbox"/>	STGW-AD2	Adjustable steering wheel with neck tilt	<input type="checkbox"/>	AIDKIT1B	First aid kit
<input checked="" type="checkbox"/>	AIRBAG	SRS Driver's air bag	<input type="checkbox"/>	WARNLAMP	Portable warning lamp
<input checked="" type="checkbox"/>	DRC-AMII	DPF Regeneration control switch - for manual and switching off regeneration	<input type="checkbox"/>	LAMP-IN	Inspection lamp
<input checked="" type="checkbox"/>	1DAYDIG2	Continental VDO DTCO 4.0 smart tachograph This tachograph can ONLY offer remote download if the option of Dynafleet or an FMS gateway has been specified with this order.	<input type="checkbox"/>	BULBKIT	Bulb and fuse kit
<input type="checkbox"/>	1DAYDIGP	Continental VDO DTCO 3.0 digital tachograph For vehicles with long lead time - this includes prep kit for the retrofit of DTCO 4.0 tachograph. For updating to new legal demand for truck registration from 15th June 2019. This tachograph can ONLY offer remote download if the option of Dynafleet or an FMS gateway has been specified with this order.	<input type="checkbox"/>	WRITEPAD	Writing pad
<input type="checkbox"/>	ARSL	Additional road speed limit - switch in dashboard	<input type="checkbox"/>	UPHTRI10	Seats: Black embossed textile insert with light grey sides, black vinyl side bolster with blue vinyl side insert. Interior trim: Raven black bunk and curtains & blue textile side walls
<input type="checkbox"/>	CRUIS-E	Eco cruise control (with eco-roll and I-cruise, controls in steering wheel)	<input checked="" type="checkbox"/>	UPHTRI11	Seats: Light grey embossed textile insert, black raven metallic vinyl bolster with red vinyl side insert. Interior trim: Raven black bunk and curtains & grey vinyl side walls
<input checked="" type="checkbox"/>	CRUISEC	Cruise control, standard	<input type="checkbox"/>	UPHTRI12	Seats: Blue soft textile insert, black vinyl bolster. Interior trim: Raven black bunk and curtains & blue textile side walls
<input type="checkbox"/>	RSSENS-W	Rain sensing windscreen wipers	<input type="checkbox"/>	UPHTRI13	Seats: Dark grey leather insert and black leather bolster. Interior trim: Raven black bunk and curtains & grey vinyl side walls
<input type="checkbox"/>	CU-ECC	Electrically controlled air conditioning with sun sensor	<input type="checkbox"/>	UPHTRI14	Seat: Dark grey leather insert and black leather bolster. Interior trim: Raven black bunk and curtains & blue textile side walls
<input type="checkbox"/>	CU-ECC2	Electrically controlled air conditioning with sun sensor, mist sensor, air quality sensor and carbon filter	<input checked="" type="checkbox"/>	DST-CF4	Driver seat, comfort, suspended, belt in seat
<input checked="" type="checkbox"/>	CU-MCC	Climate unit with manual controlled air conditioning	<input type="checkbox"/>	DST-CF5	Driver seat, comfort, suspended, belt in seat, electrically heated
<input checked="" type="checkbox"/>	IMMOBIL	Thatcham H2 approved immobiliser	<input type="checkbox"/>	DST-CF6	Driver seat, comfort, suspended, belt in seat, electrically heated, ventilated
<input type="checkbox"/>	ALARM-B	Thatcham H1 approved vehicle alarm - Cab only	<input type="checkbox"/>	SBD-RED	Red seat belts
<input type="checkbox"/>	ALARM-E	Enhanced vehicle alarm - Thatcham H1 approved - Cab plus external sensor for body/trailer	<input type="checkbox"/>	SBPRE-DS	Driver seat belt pretensioner
<input type="checkbox"/>	ALCOLOCK	Alcolock	<input checked="" type="checkbox"/>	PST-BAS1	Passenger seat - Fixed non suspended fold up with seatbelt mounted in cab
<input type="checkbox"/>	BUPMON	Back up monitor with built in 7" screen on dash and one colour camera supplied loose for fitment by bodybuilder. Can accommodate up to 4 cameras for TfL Safe Scheme, CLOCS and FORS.	<input type="checkbox"/>	PST-BENC	Bench passenger seat
<input type="checkbox"/>	PHONE-PK	Telephone preparation kit (antenna, antenna attachm. cable incl.)	<input type="checkbox"/>	PST-CF4	Passenger seat - Comfort suspended with seatbelt mounted in seat
<input type="checkbox"/>	WLIFT-AD	Electrical window lift, automatic up/down driver side	<input type="checkbox"/>	PST-CF5	Passenger seat - Comfort suspended & heated with seatbelt mounted in seat
<input checked="" type="checkbox"/>	WLIFT-EB	Electrical window lift	<input type="checkbox"/>	SBPRE-PS	Passenger seat belt pretensioner
<input type="checkbox"/>	WLIFT-ME	Mechanical window lift	<input type="checkbox"/>	ARM-DBPS	Two armrests on driver seat and one (outer) on passenger seat
<input type="checkbox"/>	ISUNS-BS	Side interior sun visor on both sides	<input type="checkbox"/>	ARMRE-BB	Two armrests on both driver and passenger seat.
<input checked="" type="checkbox"/>	ISUNS-DS	Driver's side interior sun visor	<input type="checkbox"/>	ARMRE-DB	Two armrests, on driver seat only
<input checked="" type="checkbox"/>	ISUNF-B	Interior front sun visor without mirror	<input type="checkbox"/>	ARMRE-PB	Two armrests, on passenger seat only
<input type="checkbox"/>	ISUNF-MD	Interior front sun visor with mirror on driver side	<input type="checkbox"/>	ARMRE-PS	Single armrest (next to driver) on passenger seat
<input type="checkbox"/>	ISUNF-RE	Electrically operated textile interior sun blind	<input type="checkbox"/>	ARU-BAS	Vinyl upholstered armrest
<input type="checkbox"/>	ISUNF-RM	Manually operated textile interior sun blind	<input type="checkbox"/>	ARU-LEA	Leather upholstered armrest
<input checked="" type="checkbox"/>	CSPU-S	One open storage (behind push open lid) in upper part of dash panel center section	<input checked="" type="checkbox"/>	FMAT-RU2	Rubber floor mats, extended
<input type="checkbox"/>	ADFS	Two extra DIN slots in front shelf - can be fitted with card or drawer available as an accessory	<input type="checkbox"/>	FMAT-RUB	Rubber floor mats
			<input type="checkbox"/>	FMAT-T2E	
			<input type="checkbox"/>	FMAT-TX2	Textile and rubber floor mats
			<input type="checkbox"/>	LBK-RES	Foldable rest bunk
			<input checked="" type="checkbox"/>	LBK70	Lower bunk 700 x2000 mm, fixed
			<input type="checkbox"/>	ULBK	Without lower bunk
			<input type="checkbox"/>	MATL-FI	Firm lower bunk pocket sprung mattress
			<input checked="" type="checkbox"/>	MATL-SF	Lower flexizone mattress - semi-firm, pocket springs up to 100kg - 16 stone

Standard Equipment

Optional Equipment

For more detailed information about cab and powertrain equipment, please refer to separate specification sheets.

For all possible options and combinations of options please consult your Volvo sales contact who can create a specification to match your requirements using the Volvo Sales Support system (VSS).

The factory reserves the right to modify design and change equipment without previous notification. The specification can vary from country to country.

MODEL RANGE

FMX13 6x6 Tractor Rear Air Suspension - N3G FM 66 T3CAX

- MATL-SO** Lower flexizone mattress - soft, pocket springs up to 85kg - 13.5 stone
 - OLMAT-BA** 35mm mattress overlay protector
 - OLMAT-PR** 50mm premium mattress overlay protector
 - TBK60F** Fixed foldable top bunk 600 x 1900mm
 - TBK70F** Fixed foldable top bunk 700 x 1900mm
 - PH-CAB2** 1.8kW Air to air night heater
 - PH-ENGCA** Engine and cab night heater
 - PH-SS** Short stop heater
 - SLCP-BAS** Basic sleeper control panel - includes interior light, parking heater, roof hatch and door lock
 - SAFE** Safe box for driver's personal items
 - ETSB-F** Storage on engine tunnel - on front top
 - ETSB-FR** Storage on engine tunnel - on front top and at rear cab wall
 - ETSB-FRS** Storage on engine tunnel - on front top & at rear cab wall & storage recessed into tunnel on right hand side
 - ETSB-FS** Storage on engine tunnel - on front top and storage recessed into tunnel on right hand side
 - ETSB-R** Storage on engine tunnel - box at rear cab wall
 - ETSB-RS** Storage on engine tunnel - at rear cab wall and storage recessed into tunnel on right hand side
 - ETSB-S** Storage on engine tunnel - recessed into tunnel on right hand side
 - RUS-BAS** Rear cab upper storage 154 litres - 300 mm high
 - RUS-HIG** Rear cab upper storage 245 litres - 440 mm high
 - TABLE** Folding and height adjustable table - on lower bunk
 - REF-ICPK** Fridge: engine tunnel mounted preparation kit
 - MICRO-PK** Preparation kit for microwave oven (wiring)
 - BOTH-D** One bottle holder under dashboard centre section
 - COFMA-PK** Coffee maker, preparation kit.
 - INLI-BAS** Interior white LED lights - basic
 - INLI-NL** Interior white and red night LED light with no dimmer
 - INLI-NLD** Interior white and red night LED light with dimmer
 - ARL-FLEX** Two flexible reading lamps (snake lamps)
 - RH-EE** Without roof hatch -Tinted glass emergency exit ONLY
 - RH-ETR** Glass roof & escape hatch - Electrically operated, tinted glass with rear opening
 - RH-MSR** Steel roof & escape hatch - Manually operated with rear opening
 - RH-MTR** Glass roof & escape hatch - Manually operated, tinted glass with rear opening
 - URH** Without roof hatch
 - SWIND-BS** Extra side window on both sides behind "B" pillar
 - SWIND-PS** Rear side window, passenger side
 - VANMIR** Vanity mirror in front shelf
 - AS-FUS** Extra shelf in front upper storage compartments
 - INFOT-PK** Preparation kit for the mounting of a flat screen TV in cab above the driver's door, includes bracket, electrical and speaker connections
- CAB EXTERIOR**
- PAICS-B** Basic cab paint - mirrors, sunvisor, instep and bumper supplied in natural finish - grey
 - GLAS-TIN** Tinted windows.
 - AWIND-RF** Rear window
 - DGLAS-L** Laminated door glass
 - LOCK-MAN** Manual door locking
 - LOCK-MRP** Manual door locking with internal remote control (from driver side) of passenger door
 - LOCK-REM** Central locking with remote control
 - BUMP-HD** Heavy duty front bumper
- AUXFS** Lower swinging cab step
 - GUARD-EH** Engine guard to protect sump and engine hoses
 - BUGNET** Insect screen in front of radiator
 - CTILT-P-E** Electrically operated hydraulic cab tilt
 - CTILT-P-M** Manually operated hydraulic cab tilt
 - FCABS-A** Front cab suspension - Air
 - FCABS-M** Front cab suspension - Mechanical spring
 - RCABS-A** Rear cab suspension - Air
 - RCABS-M** Rear cab suspension - Mechanical spring
 - MIRCOMFX** Electrically heated and operated -FMX- main and wide-angle mirrors with manually adjusted passenger kerb mirror, to increase direct vision to the side the main mirrors have no cowlings
 - MIRSTDX** Electrically heated -FMX- main and wide-angle mirrors with manually adjusted passenger kerb mirror, to increase direct vision to the side the main mirrors have no cowlings
 - AMIR-F20** Auxiliary front view mirror with a 200mm radius
 - SUNV-H** External smoke grey sunvisor
 - AD-ROOF** Roof air deflector
 - AD-SIDEL** Side air deflector extension panels
 - AD-SIDES** Short cab side air deflector for rigid bodywork
 - HL-BAS2** Halogen H1 head lamps
 - HL-BASIC** Halogen H7 head lamps
 - HL-BHID2** Dynamic high intensity Bi-Xenon head lamps
These follow the steering movement and direction of the truck
 - HL-CLEAN** Head lamp cleaner - washer jets
 - HLP-ST** Headlamp protection
 - HL-ADJ** Headlight adjustment - Switch in cab
 - ASL-RF2** Two Hella H11 70W spotlamps in sign box - only available with the basic headlight and no lower driving lights.
 - ASL-RFPK** Preparation kit for two spotlamps in sign box
 - BEACOA2F** Two front roof mounted amber beacon rotating warning lamps
 - BEACOA2R** Two rear roof mounted (on accessory bracket) amber beacon flashing warning LED lamps
 - BEACON-P** Roof beacon wire preparation
 - BEACONA4** Four roof mounted (2 front/2 rear) amber beacon rotating warning lamps
 - CABPT-R1** Single outlet for roof mounted accessories
 - CABPT-R2** Twin outlets for roof mounted accessories.
 - SPOTP-F** Spotlamp preparation in front, max 280W
 - SPOTP-R** Spotlamp preparation on roof, max 280W
 - SPOTP-RF** Spotlamp preparation on cab roof and in cab front, max 2x280W
 - ROS-IL2** Preparation kit for illuminated roof sign with switch loose in cab, fit after registration
 - CSGN-FMX** "Volvo FMX" headboard logo
 - HORN-F1S** Single tone Jericho air horn chassis mounted
 - HORN-R2S** Two roof mounted air horns
 - ANT-CBR** Roof mounted antenna for CB radio, single aerial
 - ACCB-R-AP** Front, middle & rear roof mounted accessory brackets
 - ACCB-R-F** Front roof mounted accessory bracket
 - ACCB-R-FM** Front & middle roof mounted accessory brackets
 - ACCB-R-FR** Front & rear roof mounted accessory brackets
 - ACCB-R-M** Middle roof mounted accessory bracket
 - ACCB-R-R** Rear roof mounted accessory bracket
 - ACCB-R-RM** Rear & middle roof mounted accessory brackets
 - LADDER** Ladder back of cab
 - REFS-TW** White cab conspicuity markings by packed in cab
 - REFS-TY** Yellow cab conspicuity markings by packed in cab

SUPERSTRUCTURE PREPARATIONS

- Standard Equipment
- Optional Equipment

For more detailed information about cab and powertrain equipment, please refer to separate specification sheets.

For all possible options and combinations of options please consult your Volvo sales contact who can create a specification to match your requirements using the Volvo Sales Support system (VSS).

The factory reserves the right to modify design and change equipment without previous notification. The specification can vary from country to country.

MODEL RANGE

FMX13 6x6 Tractor Rear Air Suspension - N3G FM 66 T3CAX

- **5WM-ISOM** 5th wheel subframe 60mm high above chassis frame
L profiles 50mm with 10mm thick plate
- **5WH150** Fifth wheel leg-height 150 mm
- **5WH185** Fifth wheel leg-height 185 mm
- **5WH190** Fifth wheel leg-height 190 mm
- **5WH290** Fifth wheel leg-height 290 mm
- **5WT-JO8** Jost JSK 37 cast fifth wheel
- **5WT-SH** SAF-Holland/+GF+ SK-S 36.20 cast fixed fifth wheel
- **5WL-S1** Fifth wheel lubrication - locking mechanism and top plate
- **TCIND** Trailer connection indication with sensors for height, kingpin and coupling lock
- **RDECK** Catwalk & step
- **RDECK-M** Rear catwalk 760mm
- **SRWL-PK** Wiring preparation for side & rear work/reverse lamps on side of chassis and a three-position switch, maximum 280W
- **SWL-2RA** Two H3 35W amber rear chassis mounted (LH/RH side) working lamps and a 2-position switch (On/Off)
- **SWL-2RW** Two H3 70W white rear chassis mounted (LH/RH side) working lamps and a 2-position switch (On/Off)
- **SWL-PK** Wiring preparation for side work/reverse lamps on side of chassis and a three-position switch, maximum 280W
- **WL-TA1W** White coupling light
- **WLC-H2A** Two H3/70W working lamps with amber coloured lens high mounted back of cab
- **WLC-H2W** Two H3/70W white working lamps high mounted on the back of cab
- **WLC-PKH** Preparation kit, cables and switch for high mounted working lamps back of cab
- **WLC-PKL** Preparation kit, cables and switch for low mounted working lamps back of cab
- **WLC-PKLH** Preparation kit - cables and switch for low and high mounted working lamps back of cab.
- **ECBB-BAS** Body builder electrical centre without body builder module
- **ECBB-HIG** Body builder electrical centre with body builder module
- **BBCHAS1** One 7-pole connector for Body builder interface
- **BBCHAS3** Three 7-pole connectors for Body builder interface
- **BEPR-T2** Body builder electrical software preparation for tipper with remote control
- **TD-BAS** Trailer detection WITHOUT LED sensing
- **TD-LED** Trailer detection with LED sensing
- **AUXL-SPK** Electrical preparation kit - wiring and switch for snow plough lights
- **TAILPRE2** Tail lift preparation kit, wireless remote operation
- **TAILPREP** Taillift preparation kit - cab switch and warning in driver display
- **AESW2** Two Body builder bistable electrical switches (marked AUX1 / AUX2)
- **AESW2PK** 2 Body builder bistable el.switches (marked AUX1/AUX2) and prep. for 4 more switches
- **AUXSW-4** Wiring for 4 extra switches (from Body builder electrical centre to switch positions)

DELIVERY SERVICES

- **TGW-4GWL** GSM/GPRS/4G modem, LTE & WLAN for telematics gateway
- **FMS-PK** Fleet Management System gateway

VOLVO

Volvo Truck Corporation
volvotrucks.com