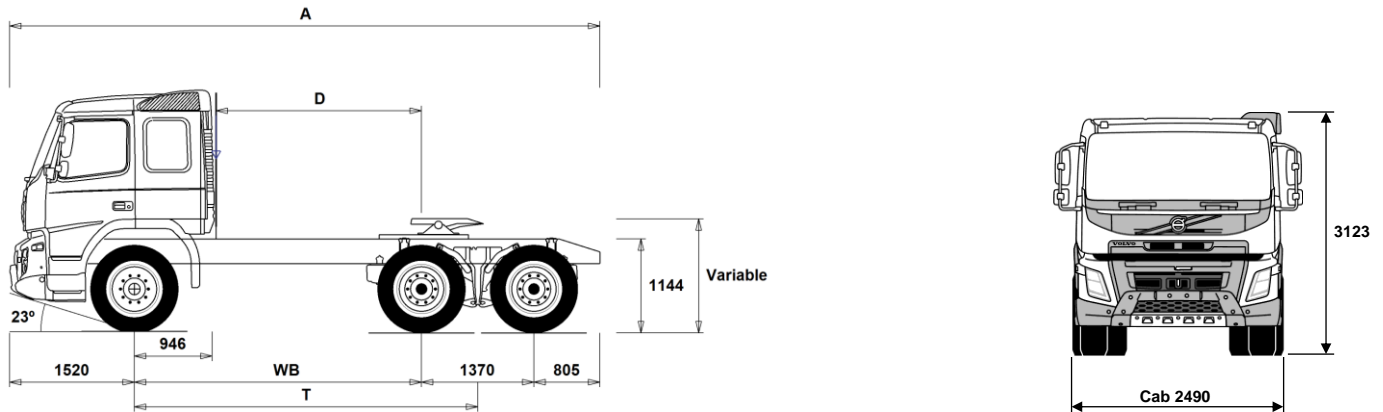


MODEL RANGE



Volvo Trucks. Driving Progress

FMX13 6x4 Tractor - X-High Rear Air Suspension - N3G Straight front axle FM 64



Chassis Dimensions [mm]

WB Wheelbase	3000	3200	3400	3600	3900
A Overall Chassis Length	6695	6895	7095	7295	7595
D Center of rear axle to back of cab	2004	2204	2404	2604	2904
T Theoretical Wheelbase	3685	3885	4085	4285	4585

Chassis Weights [kg]

Front Axle	4715	4735	4760	4785	4810
Rear Bogie	3790	3790	3790	3800	3805
Kerb Weight	8505	8525	8550	8585	8615

Turning Diameter [mm]

Turning Circle Diameter Kerb to Kerb	13300	13900	14500	15100	16100
Turning Circle Diameter Wall to Wall	14800	15400	16000	16600	17500

Plated Weights [kg]

	Plated	Design
Gross Vehicle Weight	26000	29000
Gross Combination Weight	44000	44000
Front Axle	8000	8000
Rear Bogie	19000	21000

Important Notes

Chassis Dimensions

Cab Height: +416 mm for CAB-HSLP.

Front Axle to Back of Cab: -424 mm for CAB-DAY.

D-measure includes a front clearance of 50 mm and for rigid trucks also a subframe of 100 mm.

Height can vary ± 20 mm for leaf and ± 10 mm for air suspension.

All dimensions are for unladen chassis and any tag axles down.

Weight and dimensions are based upon the following tyres:

Front Axle Tyres: 315/80R22.5

Drive Axle Tyres: 315/80R22.5

Chassis weight includes oil, water, AdBlue, 0 litres fuel and without driver. Kerb weight can vary $\pm 3\%$.

Turning diameters are theoretically calculated.

Legal weights can differ from country to country.

For more detailed weight information, including optional equipment weights, ask your Volvo sales contact to enter your specification into the Volvo Weight Information system (WIS).

Do NOT use this drawing for bodybuilding. Refer to Volvo Bodybuilder Instructions and chassis assembly drawing FM64T3CAX.

MODEL RANGE

FMX13 6x4 Tractor - X-High Rear Air Suspension - N3G Straight front axle FM 64

TRUCK USE

- **RC-ROUGH** Operating class on/off road

CORE COMPONENTS

- **CHH-XHIG** Chassis height X-High - For a specific loading height always check the unique BEP chassis drawing
- **RADD-G2** Rear air suspension, 2 axles - 2 driven, high ground clearance
- **FMX-DAY** Day cab - with steel safety cage design
Designed and built to Swedish impact and ECE R29 regulations
- **FMX-HSLP** Globetrotter cab - with steel safety cage design
Designed and built to Swedish impact and ECE R29 regulations
- **FMX-SLP** Sleeper cab - with steel safety cage design
Designed and built to Swedish impact and ECE R29 regulations
- **EU6SCR** Emission level - Euro 6
- **D13 420S** D13K420 12.8 litre engine developing 420hp at 14-1800rpm.
Peak torque 2100Nm at 860 -1400rpm.
- **D13 460S** D13K460 12.8 litre engine developing 460hp at 14-1800rpm.
Peak torque 2300Nm at 900-1400rpm.
- **D13 500S** D13K500 12.8l engine developing 500hp at 14-1800rpm.
Peak torque 2500Nm at 1000-1400rpm.
- **D13 540S** D13K540 12.8l engine developing 540hp at 14-1800rpm.
Peak torque 2600Nm at 1000-1450rpm.
- **D13K420** D13K420 - 420hp engine
- **D13K460** D13K460 - 460hp engine
- **D13K500** D13K500 - 500hp engine
- **D13K540** D13K540 - 540hp engine
- **EBR-EPG** Exhaust brake controlled by steering column switch
- **EBR-EPGC** Exhaust pressure governor for I shift gearbox
- **EBR-VEB+** Volvo engine brake + and exhaust pressure governor, enhanced performance from additional exhaust rocker control. Retardation 375kW
- **AT2612F** AT2612F 12-speed "I-shift" automated mechanical gearbox suitable for gross train weights up to 60tonne only refer to sales engineering when used in conjunction with a PTO
- **ATO2612F** ATO2612F 12-speed "I-shift" overdrive automated mechanical gearbox suitable for gross train weights up to 60tonne refer to sales engineering when used in conjunction with a PTO
- **PT2606** Powertronic automatic 6-speed gearbox, max. engine torque 2600 Nm, max. permitted GCW 130000 kg
- **SPO2812** SPO2812 - 12 speed I-shift Dual Clutch automated mechanical gearbox GCW 60tonne
- **TAAXLIFT** Rear axle lift for double drive bogie
CONTACT VOLVO SALES ENGINEERING to check lift capability
- **RTH2610F** RTH2610F hub reduction tandem 26tonne drive axles, GCW 100 tonnes with differential and cross locks*
* Cross locks replaced by a dog clutch if tandem axle lift is specified
- **RTS2310A** RTS2310A single reduction tandem 23tonne drive axles with differential and cross locks* - design GCW 100tonnes.
* Cross locks replaced by a dog clutch if tandem axle lift is specified.
- **RTS2370A** RTS2370A single reduction tandem 23tonne drive axles with differential and cross locks* - design GCW 70tonnes.
* Cross locks replaced by a dog clutch if tandem axle lift is specified.

PACKAGES

- **AIRFLPAC** Air flow package including roof and side air deflectors plus chassis skirts
- **DRIVEFM** Cab Package: Drive
- **DRIVEFM+** Cab Package: Drive +
- **BEDFM** One bed resting package

■ Standard Equipment

□ Optional Equipment

For more detailed information about cab and powertrain equipment, please refer to separate specification sheets.

For all possible options and combinations of options please consult your Volvo sales contact who can create a specification to match your requirements using the Volvo Sales Support system (VSS).

The factory reserves the right to modify design and change equipment without previous notification. The specification can vary from country to country.

- **AUDHIG** High Power Audio system: RDS radio with CD player - also playing MP3/WMA files from CD -, with integrated bluetooth phone and USB/Line inputs. FM/AM antenna, speakers in dashboard, doors, and sleeping compartment.
 - **MEDIA** AM/FM Bluetooth radio without CD player. USB and Aux line inputs. Speakers in dashboard, doors, and sleeping compartment. 7" touch screen with personal apps.
 - **MEDIADF** AM/FM Bluetooth radio without CD player. USB and Aux line inputs. Speakers in dashboard, doors, and sleeping compartment. 7" touch screen with personal and professional apps. Dynafleet vehicle on-board data display with office internet support.
 - **MEDIANAV** AM/FM Bluetooth radio without CD player. USB and Aux line inputs. Speakers in dashboard, doors, and sleeping compartment. 7" touch screen with personal and professional apps. Truck based satellite navigation (live updates not included)
 - **MEDIANDF** AM/FM Bluetooth radio without CD player. USB and Aux line inputs. Speakers in dashboard, doors, and sleeping compartment. 7" touch screen with personal and professional apps. Truck based satellite navigation (live updates not included) Dynafleet vehicle on-board data display with office internet support.
 - **VISIX15** Visibility Package
- ## CHASSIS
- **FST-PAR3** Front suspension type - 3 leaf parabolic springs
 - **FSLB-BAS** Front suspension levelling - basic stroke
 - **FSLB-HI** Front suspension levelling - high stroke for demount operations - check with bodybuilder
 - **FAL10.0** Front axle design capacity 10 tonnes - Ensure that you have checked the tyre load index
 - **FAL8.0** Front axle design capacity 8.0 tonnes - Ensure that you have checked the tyre load index
 - **FAL9.0** Front axle design capacity 9.0 tonnes - Ensure that you have checked the tyre load index
 - **FSM-LUB** Lubricated rear shackles on front suspension pins and bushings
 - **FSTAB** Front anti-roll bar
 - **FSTAB2** Front anti-roll bar medium stiffness
 - **FSTAB3** Front stiff anti-roll bar
 - **RAL21** Rear bogie design capacity 21 tonnes
 - **RAL23** Rear bogie design capacity 23 tonnes
 - **RAL26** Rear bogie design capacity 26 tonnes
 - **RSTAB3** Rear stiff anti-roll bar
 - **RALIM105** Rear axle load limiter, 10.5 tonnes
 - **RALIM115** Rear axle load limiter, 11.5 tonnes
 - **RALIM13** Rear axle load limiter, 13 tonnes
 - **RALIM95** Rear axle load limiter, 9.5 tonnes
 - **ASF-DL1** Air suspension with 1 driving level
 - **ASF-DL3** Air suspension with 3 driving levels
 - **ACTST-TO** Volvo Dynamic Steering (VDS) with with extra electronic pump and torque overlay
 - **ASFE-BAS** Active steering feature - Basic - Volvo Dynamic Steering only
 - **ASFE-OG** Active steering feature - Volvo Dynamic Steering with stability assist - oversteer
 - **ASFE-PO** Active steering feature - Volvo Dynamic Steering with personal settings and stability assist
 - **ASFE-PS** Active steering feature - Volvo Dynamic Steering with personal settings
 - **PSS-SING** Single power steering system
 - **PSP-FIX** Power steering pump with fixed displacement
 - **PSP-VAR** Power steering pump with variable displacement
 - **EBS-MED** EBS medium package including "hill" hold function

MODEL RANGE

FMX13 6x4 Tractor - X-High Rear Air Suspension - N3G Straight front axle FM 64

- AUXPARK** Additional spring parking brakes
 - FBREG-E** Front regulating brake valve, EBS
 - SUSPL-EC** Remote electronic control on wander-lead for air suspension levelling
 - FRAME300** Frame rail section external height 300 mm
 - FST7070** Frame thickness - web and flange 7.0mm
 - FST8080** Frame thickness - web and flange 8.0mm
 - FIL-EEEB** Inner liner from end of engine to end of bogie
 - FIL-TXEB** Inner liner from gearbox member to end of bogie
 - BBOX-L** Battery box located on left hand side
 - 2BAT210B** 2 x 210 Ah capacity Gel batteries
 - 2BATT170** 2 x 170 Ah capacity batteries
 - 2BATT225** 2 x 225 Ah capacity batteries
 - BATTAMP** Battery voltage and ampere gauge
 - BATTIND** Battery charge indication
 - ADR2** ADR package for transportation of dangerous goods on road (Note does NOT include safe loading pass package if required this is quoted separately)
 - MSWI-A** Main switch - ADR switch circuit shut down
 - MSWI-C** Main switch - Chassis mounted toggle switch by battery box
 - MSWI-R** Main switch - Key fob operated remote controlled
 - R330A71** Right aluminium 710 mm D-shaped fuel tank, 330 litres volume
Min volume 150l
Max volume 810l
 - UL-FUEL** Without left fuel tank
Min volume 160l
Max volume 620l
 - ADTP-BC** AdBlue tank behind/under cab on right hand side
 - ADTP-L** AdBlue tank on left hand side
 - ADTP-R** AdBlue tank on right hand side
 - ADB048** AdBlue tank usable volume 48 litres
 - ADB050** AdBlue tank usable volume 50 litres - under cab
 - ADB064** AdBlue tank usable volume 64 litres
 - ADB068** AdBlue tank usable volume 68 litres
 - ADB090** AdBlue tank usable volume 90 litres
 - ADB100** AdBlue tank usable volume 100 litres
 - FCAP-L** Locking fuel filler cap
 - FUFF-AS** Fuel filling anti-spillage device
 - FUFF-ATS** Fuel filling anti-theft and anti-spillage devices
 - ESH-LEFT** Horizontal silencer, left exhaust outlet
 - ESH-REAR** Horizontal silencer, rear exhaust outlet
 - ESH-RIGH** Horizontal silencer, right exhaust outlet
 - ESH-VERT** Horizontal silencer, vertical exhaust outlet
 - EXST-SSP** Stainless steel exhaust stack - NOT polished
 - EXST-ST** Steel exhaust stack
 - WHC-FIX2** Two fixed wheel chocks
 - WHC-FOL2** Two foldable wheel chocks
 - WHCP-F** Wheel chock(s) stored in the front part of the vehicle
 - WHCP-M** Wheel chock(s) stored in the middle part of the vehicle
 - WHCP-T** Transport mounted wheel chock(s) stored in cab outer luggage locker
 - TB-L80** Toolbox 800 mm, left side
 - TB-R80** Toolbox 800 mm, right side
 - SUP-BAS** EC approved chassis side guards
 - SUP-LOW** EC approved low chassis side guards
 - CHAIN-S** Snow chains
 - HOOK-SC** Snow chain hooks
 - TOWF-HD1** One heavy duty front towing device
 - RFEC-B** Rear frame end, bent down - standard for tractor vehicles
 - TOWR-ONE** Towing hitch attached to rear crossmember
 - TREL15** Single 15 pole electrical trailer connector - ADR certified
 - TREL7** 7 pole - 24N trailer electrical suzie
 - TREL7-7** 24N and 24S trailer electrical suzies
 - TBC-DUO** Duomatic type air line connectors
 - TBC-EC** Palm coupling type air line connectors
 - TBC-GBR** 'C' and 'CA' type air line connectors
 - TRBR-HCF** Full pressure hand controlled trailer brake
 - TRBR-STA** Stationary trailer brake control
 - TRB-STRE** Stretch Brake - Automatic low speed trailer brake activation to avoid jack-knifing and improve steerability
 - RFEND-B** Three piece EC approved rear mud wings and spray flaps
 - RFH-BAS** Basic rear wing height
 - RFH-HIG** High rear wing height - higher wing tops
 - RFH-LOW** Lower rear wing height - shallower wing tops
 - ATANK-AL** Aluminium air tanks
 - ATANK-ST** Steel air tanks
 - TL-LED** Rear lights LED
 - BLIGHT-E** Emergency brake light
- ### WHEELS & TYRES
- RT-AL** Alcoa brushed aluminium rims with standard holes for long stud fixing on all axles
 - RT-ALDP** Alcoa Dura-Bright EVO aluminium rims with standard holes long stud fixing on all axles, requires cleaning with a ph neutral solution - washing up liquid.
 - RT-ALDPD** Alcoa Dura-Bright EVO aluminium rims with countersunk holes for short stud fixing on all axles, requires cleaning with a ph neutral solution - washing up liquid.
 - RT-ALDU** Alcoa brushed aluminium rims with countersunk holes for short stud fixing on all axles
 - RT-SPOKE** Spoke rims on all axles
 - RT-STEEL** Steel rims on all axles
 - WCAP** Aerodynamic hub caps
 - BRREC001** Bridgestone ECOPIA H - Energy rating C
 - BRREC002** Bridgestone Ecopia H 002 Evo - Tyre recommendation 2
 - COREC002** Continental ECOPLUS HS3/HD3 - Energy rating B or C depending on size
 - GYREC001** Goodyear FUELMAX S/HL/D - Energy rating B or C depending on size
 - GYREC002** Goodyear FUELMAX S/D - Energy rating B or C depending on size
 - GYREC003** Goodyear FUELMAX S/(O)/D - Fuel tyre Recommendation 3
 - HAREC001** Hankook AL10+ E-Cube Max Long Haul Tyre - Energy rating B
 - HAREC002** Hankook AL10+ E-Cube Long Haul Tyre - Energy rating B with wide single
 - MIREC002** Michelin XZA2/X-LINE Energy - Fuel tyre Recommendation 2
 - MIREC003** Michelin X-LINE Energy - Fuel tyre Recommendation 3
 - MIREC004** Michelin X Line Energy F/D2 - Energy rating A
 - PIREC001** Pirelli FH:01 Proway - Long Haul Tyre - Energy rating B
 - PIREC002** Pirelli FH:01 II Long Haul Tyre - Energy rating B with wide single
 - SPWT-D** Spare wheel & tyre with rear tyre pattern
 - SPWT-F** Spare wheel & tyre with front tyre pattern
 - SWCP-LF** Spare wheel carrier on left side of chassis ahead of rear axle
 - SWCP-T** Spare wheel supplied temporarily strapped to chassis
 - SWCP-TP** Temporary spare wheel carrier on top of chassis frame
 - JACK-12T** 12 tonne bottle jack
 - JACK-15T** 15 tonne bottle jack
 - JACK-20T** 20 tonne bottle jack
 - TOOL-BAS** Basic Toolkit
 - TOOLKIT** Complete tool kit
 - INFLAHOS** Tyre inflation hose
 - GAUGE-TP** Tyre pressure gauge

Standard Equipment

Optional Equipment

For more detailed information about cab and powertrain equipment, please refer to separate specification sheets.

For all possible options and combinations of options please consult your Volvo sales contact who can create a specification to match your requirements using the Volvo Sales Support system (VSS).

The factory reserves the right to modify design and change equipment without previous notification. The specification can vary from country to country.

MODEL RANGE

FMX13 6x4 Tractor - X-High Rear Air Suspension - N3G Straight front axle FM 64

DRIVELINE EQUIPMENT

- ASO-C** Crawler gear -
Ratio direct top gearbox 19:1
Ratio Overdrive gearbox 17:1
- ASO-ULC** Ultra low crawler and crawler gear -
Ratios direct top gearbox 32:1 and 19:1
Ratios Overdrive box 32:1 and 17:1
- TRAP-HD** Reinforced gearbox application
- TP-CON** Construction Package
- TP-DIST** Distribution Package
- TP-HD** I-shift software - Heavy duty for high GCW
Special conditions apply consult Sales Engineering
- TP-LONG** Long Haul Package
- AMSO-AUT** Enhanced I-shift software with manual shift available in auto mode and kickdown facility on accelerator pedal
- AVO-ENH** Enhanced software for off road driveability and starting
- APF-ENH** I-shift enhanced PTO functions
- RET-TH** Gearbox mounted retarder
- RET-TPT** Hydraulic Retarder for Powertronic gearbox
- TC-HWO** Automatic gearbox oil cooler - water to oil
- TC-MAOH2** Extra high performance transmission oil cooler - air to oil with front mounted radiator
- TC-MWO** Basic transmission oil cooler - water to oil
- 2COM1100** Two cylinder, air compressor, 1100 litres per minute
- 2COMP900** Two cylinder, air compressor, 900 litres per minute
- CLU-AIRC** Clutchable air compressor
- AIRIN-HI** Roof mounted air intake behind cab on left hand side
- AIRIN-LO** Low level air intake behind cab on left hand side
- ACL1ST-S** Two stage air filter
- 24AL110B** 110 amp alternator
- 24AL120B** 120 amp alternator
- 24AL150B** 150 amp alternator
- CCV-C** Closed crankcase engine ventilation
- CCV-O** Open crankcase engine breather
- CCV-OX** Closed crankcase ventilation for cold markets
- PRIM-EL** Electrical priming pump
- PRIM-MAN** Manual priming pump
- FUEQ-EH** Fuel line electric heater
- AF-R** Hot fuel recirculation heated fuel filter
- FUEFE2LW** Large engine mounted dual fuel filter with water separator
- FUEFE2SW** Small engine mounted dual fuel filter with water separator
- EST-AID** Air inlet manifold starting heater element
- 220EBH15** 220V/1.5Kw electric engine block heater
- PTER-100** Rear engine mounted power-take-off with DIN 100 / ISO 7646 flange
- PTER-DIN** Rear engine mounted PTO with DIN5462 (female) splined shaft for a close coupled pump.
Models with 3 steering axles will use this to drive the steering pump (AUXPSP)
- PTER1400** Rear engine mounted power-take-off with SAE 1410 flange
- HPE-F101** Parker F1-101, engine mounted, fixed displacement, single flow, engine mounted hydraulic pump
- HPE-F41** Parker F1-41, engine mounted, fixed displacement, single flow, engine mounted hydraulic pump
- HPE-F51** Parker F1-51, engine mounted, fixed displacement, single flow, engine mounted hydraulic pump
- HPE-F61** Parker F1-61, engine mounted, fixed displacement, single flow, engine mounted hydraulic pump
- HPE-F81** Parker F1-81, engine mounted, fixed displacement, single flow, engine mounted hydraulic pump
- HPE-T53** Parker F2-53/53, engine mounted, Fixed displacement, Twin flow engine mounted hydraulic pump
- HPE-T70** Parker F2-70/35, engine mounted, Fixed displacement, Twin flow engine mounted hydraulic pump
- HPE-V45** Parker VP1-45, variable displacement, single flow, engine mounted hydraulic pump
- HPE-V75** Parker VP1-75, variable displacement, single flow, engine mounted hydraulic pump
- PTPT-D** Powertronic PTO, 1 front/upper DIN connection for plug-in pump (max. 850 Nm)
- PTPT-F** Powertronic PTO, 1 front/upper rear facing SAE flange conn. for prop shaft (max.850 Nm)
- PTR-D** Gearbox PTO for plug-in pump, 0.71xeng speed
- PTR-DH** Gearbox driven high speed PTO for one plug-in hydraulic pump
- PTR-DM** Gearbox driven medium speed PTO for one plug-in hydraulic pump
- PTR-F** Gearbox driven PTO with rear flange connection
- PTR-FH** Gearbox driven high speed PTO with SAE drive flange
- PTR-FL** Gearbox driven low speed PTO with SAE drive flange
- PTRD-D** Gearbox driven HIGH SPEED PTO for two plug-in hydraulic pumps
- PTRD-D1** PTRD-D1 Gearbox driven HIGH SPEED PTO (1 SAE flange & 1 plug-in hydraulic pump)
- PTRD-D2** Gearbox driven HIGH SPEED PTO (2 SAE flanges & 1 plug-in hyd pump)
- PTRD-F** PTO with 1 DIN + 1 flange connection rear, manual gearbox
- HPG-F101** Parker F1-101 gearbox mounted, fixed displacement, single flow, hydraulic pump
- HPG-F41** Parker F1-41 gearbox mounted, fixed displacement, single flow, hydraulic pump
- HPG-F51** Parker F1-51 gearbox mounted, fixed displacement, single flow, hydraulic pump
- HPG-F61** Parker F1-61 gearbox mounted, fixed displacement, single flow, hydraulic pump
- HPG-F81** Parker F1-81 gearbox mounted, fixed displacement, single flow, hydraulic pump
- EIDLES** Engine idle shut down
- STWPOS-R** RIGHT HAND DRIVE
- STWM-LE** Leather steering wheel
- STGW-AD2** Adjustable steering wheel with neck tilt
- STGW-ADJ** Adjustable steering wheel
- AIRBAG** SRS Driver's air bag
- DRC-AMII** DPF Regeneration control switch - for manual and switching off regeneration
- 1DAYDIG2** Continental VDO DTCO 4.0 smart tachograph
This tachograph can ONLY offer remote download if the option of Dynafleet or an FMS gateway has been specified with this order.
- 1DAYDIGP** Continental VDO DTCO 3.0 digital tachograph
For vehicles with long lead time - this includes prep kit for the retrofit of DTCO 4.0 tachograph.
For updating to new legal demand for trick registration from 15th June 2019.
This tachograph can ONLY offer remote download if the option of Dynafleet or an FMS gateway has been specified with this order.
- ARSL** Additional road speed limit - switch in dashboard
- CRUIS-E** Eco cruise control (with eco-roll and I-cruise, controls in steering wheel)
- CRUISEC** Cruise control, standard
- ESP-BAS1** Electronic Stability Control
- ESPC-RO** ESP (Electronic Stability Program) functionality control - Reduced / Off
- HWSS-ACB** Adaptive cruise control ACC with forward collision warning and AEBS advanced emergency brake system
- HWSS-FCB** Forward collision warning with AEBS advanced emergency brake system

Standard Equipment

Optional Equipment

For more detailed information about cab and powertrain equipment, please refer to separate specification sheets.

For all possible options and combinations of options please consult your Volvo sales contact who can create a specification to match your requirements using the Volvo Sales Support system (VSS).

The factory reserves the right to modify design and change equipment without previous notification. The specification can vary from country to country.

MODEL RANGE

FMX13 6x4 Tractor - X-High Rear Air Suspension - N3G Straight front axle FM 64

<input type="checkbox"/> LSS-DW	Lane departure-warning system		
<input type="checkbox"/> LCS	Lane change support		
<input type="checkbox"/> DAS-W	Driver Alert Support system		
<input type="checkbox"/> RSSENS-W	Rain sensing windscreen wipers		
<input type="checkbox"/> CU-ECC	Electrically controlled air conditioning with sun sensor		
<input type="checkbox"/> CU-ECC2	Electrically controlled air conditioning with sun sensor, mist sensor, air quality sensor and carbon filter		
<input checked="" type="checkbox"/> CU-MCC	Climate unit with manual controlled air conditioning		
<input checked="" type="checkbox"/> IMMOBIL	Thatcham H2 approved immobiliser		
<input type="checkbox"/> ALARM-B	Thatcham H1 approved vehicle alarm - Cab only		
<input type="checkbox"/> ALARM-E	Enhanced vehicle alarm - Thatcham H1 approved - Cab plus external sensor for body/trailer		
<input type="checkbox"/> ALCOLOCK	Alcolock		
<input type="checkbox"/> BUPMON	Back up monitor with built in 7" screen on dash and one colour camera supplied loose for fitment by bodybuilder. Can accommodate up to 4 cameras for TfL Safe Scheme, CLOCS and FORS.		
<input type="checkbox"/> PHONE-PK	Telephone preparation kit (antenna, antenna attachm. cable incl.)		
<input type="checkbox"/> WLIFT-AD	Electrical window lift, automatic up/down driver side		
<input checked="" type="checkbox"/> WLIFT-EB	Electrical window lift		
<input type="checkbox"/> WLIFT-ME	Mechanical window lift		
<input type="checkbox"/> ISUNS-BS	Side interior sun visor on both sides		
<input checked="" type="checkbox"/> ISUNS-DS	Driver's side interior sun visor		
<input checked="" type="checkbox"/> ISUNF-B	Interior front sun visor without mirror		
<input type="checkbox"/> ISUNF-MD	Interior front sun visor with mirror on driver side		
<input type="checkbox"/> ISUNF-RE	Electrically operated textile interior sun blind		
<input type="checkbox"/> ISUNF-RM	Manually operated textile interior sun blind		
<input checked="" type="checkbox"/> CSPU-S	One open storage (behind push open lid) in upper part of dash panel center section		
<input type="checkbox"/> ADFS	Two extra DIN slots in front shelf - can be fitted with card or drawer available as an accessory		
<input checked="" type="checkbox"/> BUPALARM	Reverse alarm		
<input type="checkbox"/> RTOLL-PK	Road toll PREPARATION kit for trucks operating with "Toll Collect" in Germany		
<input type="checkbox"/> LOADIND	Load indicator with central dashboard display		
<input type="checkbox"/> REMC-MF	Multi-functio wireless remote control		
<input type="checkbox"/> FIREXT3S	3kg fire extinguisher mounted on seat base		
<input type="checkbox"/> WARNVEST	High visibility warning vest - no sleeves		
<input type="checkbox"/> AIDKIT	First aid kit		
<input type="checkbox"/> AIDKIT1B	First aid kit		
<input type="checkbox"/> WARNLAMP	Portable warning lamp		
<input type="checkbox"/> LAMP-IN	Inspection lamp		
<input type="checkbox"/> BULBKIT	Bulb and fuse kit		
<input type="checkbox"/> WRITEPAD	Writing pad		
<input type="checkbox"/> UPHTRI10	Seats: Black embossed textile insert with light grey sides, black vinyl side bolster with blue vinyl side insert. Interior trim: Raven black bunk and curtains & blue textile side walls		
<input checked="" type="checkbox"/> UPHTRI11	Seats: Light grey embossed textile insert, black raven metallic vinyl bolster with red vinyl side insert. Interior trim: Raven black bunk and curtains & grey vinyl side walls		
<input type="checkbox"/> UPHTRI12	Seats: Blue soft textile insert, black vinyl bolster. Interior trim: Raven black bunk and curtains & blue textile side walls		
<input type="checkbox"/> UPHTRI13	Seats: Dark grey leather insert and black leather bolster. Interior trim: Raven black bunk and curtains & grey vinyl side walls		
<input type="checkbox"/> UPHTRI14	Seat: Dark grey leather insert and black leather bolster.		
			Interior trim: Raven black bunk and curtains & blue textile side walls
		<input checked="" type="checkbox"/> DST-CF4	Driver seat, comfort, suspended, belt in seat
		<input type="checkbox"/> DST-CF5	Driver seat, comfort, suspended, belt in seat, electrically heated
		<input type="checkbox"/> DST-CF6	Driver seat, comfort, suspended, belt in seat, electrically heated, ventilated
		<input type="checkbox"/> SBD-RED	Red seat belts
		<input type="checkbox"/> SBPRE-DS	Driver seat belt pretensioner
		<input checked="" type="checkbox"/> PST-BAS1	Passenger seat - Fixed non suspended fold up with seatbelt mounted in cab
		<input type="checkbox"/> PST-BENC	Bench passenger seat
		<input type="checkbox"/> PST-CF4	Passenger seat - Comfort suspended with seatbelt mounted in seat
		<input type="checkbox"/> PST-CF5	Passenger seat - Comfort suspended & heated with seatbelt mounted in seat
		<input type="checkbox"/> SBPRE-PS	Passenger seat belt pretensioner
		<input type="checkbox"/> ARM-DBPS	Two armrests on driver seat and one (outer) on passenger seat
		<input type="checkbox"/> ARMRE-BB	Two armrests on both driver and passenger seat.
		<input type="checkbox"/> ARMRE-DB	Two armrests, on driver seat only
		<input type="checkbox"/> ARMRE-PB	Two armrests, on passenger seat only
		<input type="checkbox"/> ARMRE-PS	Single armrest (next to driver) on passenger seat
		<input type="checkbox"/> ARU-BAS	Vinyl upholstered armrest
		<input type="checkbox"/> ARU-LEA	Leather upholstered armrest
		<input checked="" type="checkbox"/> FMAT-RU2	Rubber floor mats, extended
		<input type="checkbox"/> FMAT-RUB	Rubber floor mats
		<input type="checkbox"/> FMAT-T2E	
		<input type="checkbox"/> FMAT-TX2	Textile and rubber floor mats
		<input type="checkbox"/> LBK-RES	Foldable rest bunk
		<input checked="" type="checkbox"/> LBK70	Lower bunk 700 x2000 mm, fixed
		<input type="checkbox"/> ULBK	Without lower bunk
		<input type="checkbox"/> MATL-FI	Firm lower bunk pocket sprung mattress
		<input checked="" type="checkbox"/> MATL-SF	Lower flexizone mattress - semi-firm, pocket springs up to 100kg - 16 stone
		<input type="checkbox"/> MATL-SO	Lower flexizone mattress - soft, pocket springs up to 85kg - 13.5 stone
		<input type="checkbox"/> OLMAT-BA	35mm mattress overlay protector
		<input type="checkbox"/> OLMAT-PR	50mm premium mattress overlay protector
		<input type="checkbox"/> TBK60F	Fixed foldable top bunk 600 x 1900mm
		<input type="checkbox"/> TBK70F	Fixed foldable top bunk 700 x 1900mm
		<input type="checkbox"/> PH-CAB2	1.8kW Air to air night heater
		<input type="checkbox"/> PH-ENGCA	Engine and cab night heater
		<input type="checkbox"/> PH-SS	Short stop heater
		<input type="checkbox"/> SLCP-BAS	Basic sleeper control panel - includes interior light, parking heater, roof hatch and door lock
		<input type="checkbox"/> SAFE	Safe box for driver's personal items
		<input type="checkbox"/> ETSB-F	Storage on engine tunnel - on front top
		<input type="checkbox"/> ETSB-FR	Storage on engine tunnel - on front top and at rear cab wall
		<input type="checkbox"/> ETSB-FRS	Storage on engine tunnel - on front top & at rear cab wall & storage recessed into tunnel on right hand side
		<input type="checkbox"/> ETSB-FS	Storage on engine tunnel - on front top and storage recessed into tunnel on right hand side
		<input type="checkbox"/> ETSB-R	Storage on engine tunnel - box at rear cab wall
		<input type="checkbox"/> ETSB-RS	Storage on engine tunnel - at rear cab wall and storage recessed into tunnel on right hand side
		<input type="checkbox"/> ETSB-S	Storage on engine tunnel - recessed into tunnel on right hand side
		<input type="checkbox"/> RUS-BAS	Rear cab upper storage 154 litres - 300 mm high
		<input type="checkbox"/> RUS-HIG	Rear cab upper storage 245 litres - 440 mm high
		<input type="checkbox"/> TABLE	Folding and height adjustable table - on lower bunk
		<input type="checkbox"/> REF-ICPK	Fridge: engine tunnel mounted preparation kit
		<input type="checkbox"/> REFR-RUS	Fridge: 28 litre rear upper wall mounted with dividers
		<input type="checkbox"/> MICRO-PK	Preparation kit for microwave oven (wiring)

Standard Equipment

Optional Equipment

For more detailed information about cab and powertrain equipment, please refer to separate specification sheets.

For all possible options and combinations of options please consult your Volvo sales contact who can create a specification to match your requirements using the Volvo Sales Support system (VSS).

The factory reserves the right to modify design and change equipment without previous notification. The specification can vary from country to country.

MODEL RANGE

FMX13 6x4 Tractor - X-High Rear Air Suspension - N3G Straight front axle FM 64

- BOTH-D** One bottle holder under dashboard centre section
 - COFMA-PK** Coffee maker, preparation kit.
 - INLI-BAS** Interior white LED lights - basic
 - INLI-NL** Interior white and red night LED light with no dimmer
 - INLI-NLD** Interior white and red night LED light with dimmer
 - ARL-FLEX** Two flexible reading lamps (snake lamps)
 - RH-EE** Without roof hatch -Tinted glass emergency exit ONLY
 - RH-ETR** Glass roof & escape hatch - Electrically operated, tinted glass with rear opening
 - RH-MSR** Steel roof & escape hatch - Manually operated with rear opening
 - RH-MTR** Glass roof & escape hatch - Manually operated, tinted glass with rear opening
 - URH** Without roof hatch
 - SWIND-BS** Extra side window on both sides behind "B" pillar
 - SWIND-PS** Rear side window, passenger side
 - VANMIR** Vanity mirror in front shelf
 - AS-FUS** Extra shelf in front upper storage compartments
 - INFOT-PK** Preparation kit for the mounting of a flat screen TV in cab above the driver's door, includes bracket, electrical and speaker connections
- ### CAB EXTERIOR
- PAICS-B** Basic cab paint - mirrors, sunvisor, instep and bumper supplied in natural finish - grey
 - GLAS-TIN** Tinted windows.
 - AWIND-RF** Rear window
 - DGLAS-L** Laminated door glass
 - LOCK-MAN** Manual door locking
 - LOCK-MRP** Manual door locking with internal remote control (from driver side) of passenger door
 - LOCK-REM** Central locking with remote control
 - BUMP-HD** Heavy duty front bumper
 - AUXFS** Lower swinging cab step
 - GUARD-EH** Engine guard to protect sump and engine hoses
 - BUGNET** Insect screen in front of radiator
 - CTILT-P-E** Electrically operated hydraulic cab tilt
 - CTILT-P-M** Manually operated hydraulic cab tilt
 - FCABS-A** Front cab suspension - Air
 - FCABS-M** Front cab suspension - Mechanical spring
 - RCABS-A** Rear cab suspension - Air
 - RCABS-M** Rear cab suspension - Mechanical spring
 - MIRCOMFX** Electrically heated and operated -FMX- main and wide-angle mirrors with manually adjusted passenger kerb mirror, to increase direct vision to the side the main mirrors have no cowlings
 - MIRSTDX** Electrically heated -FMX- main and wide-angle mirrors with manually adjusted passenger kerb mirror, to increase direct vision to the side the main mirrors have no cowlings
 - AMIR-F20** Auxiliary front view mirror with a 200mm radius
 - SUNV-H** External smoke grey sunvisor
 - AD-ROOF** Roof air deflector
 - AD-SIDEL** Side air deflector extension panels
 - AD-SIDES** Short cab side air deflector for rigid bodywork
 - AD-CHASX** Chassis side skirts
 - ADCF-F** Additional black edging on chassis side skirt
 - HL-BAS2** Halogen H1 head lamps
 - HL-BASIC** Halogen H7 head lamps
 - HL-BHID2** Dynamic high intensity Bi-Xenon head lamps
- Standard Equipment Optional Equipment

These follow the steering movement and direction of the truck

- HL-CLEAN** Head lamp cleaner - washer jets
- HLP-ST** Headlamp protection
- HL-ADJ** Headlight adjustment - Switch in cab
- UDRIVL** Without auxiliary driving lights
- ASL-RF2** Two Hella H11 70W spotlamps in sign box - only available with the basic headlight and no lower driving lights.
- ASL-RFPK** Preparation kit for two spotlamps in sign box
- BEACO2F** Two front roof mounted amber beacon rotating warning lamps
- BEACO2R** Two rear roof mounted (on accessory bracket) amber beacon flashing warning LED lamps
- BEACON-P** Roof beacon wire preparation
- BEACONA4** Four roof mounted (2 front/2 rear) amber beacon rotating warning lamps
- CABPT-R1** Single outlet for roof mounted accessories
- CABPT-R2** Twin outlets for roof mounted accessories.
- SPOTP-F** Spotlamp preparation in front, max 280W
- SPOTP-R** Spotlamp preparation on roof, max 280W
- SPOTP-RF** Spotlamp preparation on cab roof and in cab front, max 2x280W
- ROS-IL2** Preparation kit for illuminated roof sign with switch loose in cab, fit after registration
- CSGN-FMX** "Volvo FMX" headboard logo
- HORN-F1S** Single tone Jericho air horn chassis mounted
- HORN-R2S** Two roof mounted air horns
- ANT-CBR** Roof mounted antenna for CB radio, single aerial
- ACCB-R-AP** Front, middle & rear roof mounted accessory brackets
- ACCB-R-F** Front roof mounted accessory bracket
- ACCB-R-FM** Front & middle roof mounted accessory brackets
- ACCB-R-FR** Front & rear roof mounted accessory brackets
- ACCB-R-M** Middle roof mounted accessory bracket
- ACCB-R-R** Rear roof mounted accessory bracket
- ACCB-R-RM** Rear & middle roof mounted accessory brackets
- LADDER** Ladder back of cab
- REFS-TW** White cab conspicuity markings by packed in cab
- REFS-TY** Yellow cab conspicuity markings by packed in cab

SUPERSTRUCTURE PREPARATIONS

- 5WM-ISHD** Heavy duty 5th wheel mounting with 16 mm mounting plate
- 5WM-ISOM** 5th wheel subframe 60mm high above chassis frame
- 5WM-MASM** L profiles 50mm with 10mm thick plate
- 5WM-MASM** 50mm high 'L' profiles for manual sliding fifth wheel
- 5WH150** Fifth wheel leg-height 150 mm
- 5WH185** Fifth wheel leg-height 185 mm
- 5WH190** Fifth wheel leg-height 190 mm
- 5WH290** Fifth wheel leg-height 290 mm
- 5WT-JO11** Jost JSK 38G cast heavy duty fixed fifth wheel
- 5WT-JO8** Jost JSK 37 cast fifth wheel
- 5WT-JO9** Jost JSK 42 cast fixed fifth wheel
- 5WT-JOHD** Jost JSK 38C cast heavy duty fifth wheel
- 5WT-SH** SAF-Holland/+GF+ SK-S 36.20 cast fixed fifth wheel
- 5WT-SH2** SAF-Holland/+GF+ SK-HD 38.36 cast heavy duty fixed fifth wheel
- 5WL-S1** Fifth wheel lubrication - locking mechanism and top plate
- TCIND** Trailer connection indication with sensors for height, kingpin and coupling lock
- RDECK** Catwalk & step
- RDECK-M** Rear catwalk 760mm
- SRWL-PK** Wiring preparation for side & rear work/reverse lamps on side of chassis and a three-position switch, maximum 280W
- SWL-2RA** Two H3 35W amber rear chassis mounted (LH/RH side) working lamps and a 2-position switch (On/Off)
- SWL-2RW** Two H3 70W white rear chassis mounted (LH/RH side)

For more detailed information about cab and powertrain equipment, please refer to separate specification sheets.

For all possible options and combinations of options please consult your Volvo sales contact who can create a specification to match your requirements using the Volvo Sales Support system (VSS).

The factory reserves the right to modify design and change equipment without previous notification. The specification can vary from country to country.

MODEL RANGE

FMX13 6x4 Tractor - X-High Rear Air Suspension - N3G Straight front axle FM 64

- **SWL-PK** working lamps and a 2-position switch (On/Off)
Wiring preparation for side work/reverse lamps on side of chassis and a three-position switch, maximum 280W
- **WL-TA1W** White coupling light
- **WLC-H2A** Two H3/70W working lamps with amber coloured lens high mounted back of cab
- **WLC-H2W** Two H3/70W white working lamps high mounted on the back of cab
- **WLC-PKH** Preparation kit, cables and switch for high mounted working lamps back of cab
- **WLC-PKL** Preparation kit, cables and switch for low mounted working lamps back of cab
- **WLC-PKLH** Preparation kit - cables and switch for low and high mounted working lamps back of cab.
- **ECBB-BAS** Body builder electrical centre without body builder module
- **ECBB-HIG** Body builder electrical centre with body builder module
- **BBCHAS1** One 7-pole connector for Body builder interface
- **BBCHAS3** Three 7-pole connectors for Body builder interface
- **BEPR-T2** Body builder electrical software preparation for tipper with remote control
- **EXSTER** External steering control, with VDS and bodybuilder module
- **TD-BAS** Trailer detection WITHOUT LED sensing
- **TD-LED** Trailer detection with LED sensing
- **AUXL-SPK** Electrical preparation kit - wiring and switch for snow plough lights
- **TAILPRE2** Tail lift preparation kit, wireless remote operation
- **TAILPREP** Taillift preparation kit - cab switch and warning in driver display
- **AESW2** Two Body builder bistable electrical switches (marked AUX1 / AUX2)
- **AESW2PK** 2 Body builder bistable el.switches (marked AUX1/AUX2) and prep. for 4 more switches
- **AUXSW-4** Wiring for 4 extra switches (from Body builder electrical centre to switch positions)

DELIVERY SERVICES

- **TGW-4GWL** GSM/GPRS/4G modem, LTE & WLAN for telematics gateway
- **FMS-PK** Fleet Management System gateway

VOLVO

Volvo Truck Corporation
volvotrucks.com