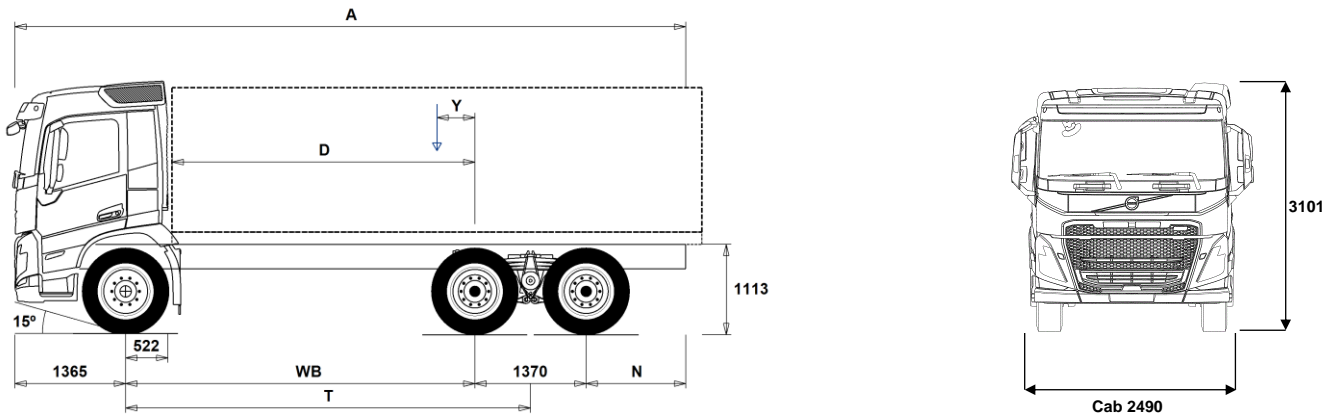


MODEL RANGE



Volvo Trucks. Driving Progress

NEW FM 11 6x4 Rigid - B/T Ride - N3 or N3G FM 64R 1L



Chassis Dimensions [mm]

WB Wheelbase	3400	3700	3900	4300	4600	4900	5200	5600
A Overall Chassis Length	7360	7660	7860	8260	8560	8860	9160	9560
D Center of rear axle to front of body	2828	3128	3328	3728	4028	4328	4628	5028
N Rear Overhang	1225	1225	1225	1225	1225	1225	1225	1225
T Theoretical Wheelbase	4085	4385	4585	4985	5285	5585	5885	6285
Y Center of Gravity for Payload (Min.)	-78	-38	-11	41	81	118	158	207
Y Center of Gravity for Payload (Max.)	144	201	239	314	370	425	481	553

Chassis Weights [kg]

Front Axle	4270	4290	4305	4335	4355	4380	4395	4425
Rear Bogie	3365	3370	3370	3385	3395	3420	3425	3445
Kerb Weight	7635	7660	7675	7720	7750	7800	7820	7870
Payload (including body, driver, fuel, etc.)	18365	18340	18325	18280	18250	18200	18180	18130

Turning Diameter [mm]

Turning Circle Diameter Kerb to Kerb	14500	15500	16100	17300	18200	19100	20000	21300
Turning Circle Diameter Wall to Wall	15900	16900	17500	18700	19600	20500	21500	22700

Plated Weights [kg]

	Plated	Design
Gross Vehicle Weight	26000	29000
Gross Combination Weight	44000	44000
Front Axle	8000	8000
Rear Bogie	19000	21000

Important Notes

Chassis Dimensions

Cab Height: +374 mm for CAB-HSLP, -204 mm for CAB-LDAY, -204 mm for CAB-LSLP, +4 mm for CAB-SLP.

Front Axle to Back of Cab: +424 mm for CAB-HSLP and CAB-SLP, -69 mm for CAB-LDAY, +418 mm for CAB-LSLP.

D-measure includes a front clearance of 50 mm and for rigid trucks also a subframe of 100 mm.

Height can vary ± 20 mm for leaf and ± 10 mm for air suspension.

All dimensions are for unladen chassis and any tag axles down. Chassis height used: CHH-HIGH.

Rear overhang used for vehicle weight calculation is the maximum rear overhang (N Max.) for selected wheelbase.

Weight and dimensions are based upon the following tyres:

Front Axle Tyres: 315/80R22.5
Drive Axle Tyres: 315/80R22.5

Chassis weight includes oil, water, AdBlue, 0 litres fuel and without driver. Kerb weight can vary $\pm 3\%$.

Turning diameters are theoretically calculated.

Legal weights can differ from country to country.

For more detailed weight information, including optional equipment weights, ask your Volvo sales contact to enter your specification into the Volvo Weight Information system (WIS).

Do NOT use this drawing for bodybuilding. Refer to Volvo Bodybuilder Instructions and chassis assembly drawing FM64R1L.

MODEL RANGE

NEW FM 11 6x4 Rigid - B/T Ride - N3 or N3G FM 64R 1L

TRUCK USE

- **RC-ROUGH** Road conditions - On / off-road
- **RC-VROUG** Road conditions - Very rough
- **GARB-PRE** Transport Adaption - Refuse preparation
- **TIPP-PRE** Transport Adaption - Tipper vehicle preparation
- **UNIFORM** Transport Adaption - Basic platform vehicle

CORE COMPONENTS

- **CHH-HIGH** Chassis Height - High - for loading heights check the unique BEP chassis drawing
- **CHH-XHIGH** Chassis Height - X-High - for loading heights check the unique BEP chassis drawing
- **RADD-BR** Rear suspension - B-ride rear three spring bogie
- **RADD-TR1** T-ride 1 rear two spring bogie suspension, 75mm wide springs
- **RADD-TR2** T-ride 3 rear two spring bogie suspension, reinforced
- **FM-DAY5** Cab - Day - with steel safety cage design
Designed and built to Swedish impact and ECE R29 regulations
- **FM-HSLP5** Cab - Globetrotter - with steel safety cage design
Designed and built to Swedish impact and ECE R29 regulations
- **FM-LDAY5** Cab - Low Day - with steel safety cage design
Designed and built to Swedish impact and ECE R29 regulations
- **FM-LSLP5** Cab - Low sleeper - with steel safety cage design
Designed and built to Swedish impact and ECE R29 regulations
- **FM-SLP5** Cab - Sleeper with steel safety cage design
Designed and built to Swedish impact and ECE R29 regulations
- **EU6SCR** Emission level - Euro VI step D
- **D11K330** Engine - D11K330 10.8 litre engine developing 330hp at 16-1900rpm.
Peak torque 1600Nm at 950-1400rpm.
- **D11K380** Engine - D11K380 10.8 litre engine developing 380hp at 17-1900rpm.
Peak torque 1800Nm at 950-1400rpm.
- **D11K430** D11K430 10.8 litre engine developing 430hp at 17-1800rpm.
Peak torque 2050Nm at 1058-1400rpm.
- **D11K460** D11K460 10.8 litre engine developing 460hp at 16-1800rpm.
Peak torque 2200Nm at 1050-1400rpm.
- **EBR-EPG** Engine Brake Type - Exhaust brake controlled by steering column switch
- **EBR-EPGC** Engine Brake Type - Exhaust pressure governor for I shift gearbox
- **EBR-VEB** Engine Brake Type - Volvo engine brake and exhaust pressure governor retardation 300kW
- **AT2612F** Gearbox - AT2612F 12-speed "I-shift" automated mechanical suitable for gross train weights up to 60tonne only.
Refer to sales engineering when used in conjunction with a PTO
- **ATO2612F** Gearbox - ATO2612F 12-speed "I-shift" overdrive automated mechanical, suitable for gross train weights up to 60tonne.
Refer to sales engineering when used in conjunction with a PTO
- **PT2106** Gearbox - Powertronic automatic 6-speed, max. engine torque 2100 Nm, max. permitted GCW 100000 kg
- **RTH2610F** Drive Axles - RTH2610F 26-tonne hub reduction tandem with differential and cross locks* - design GCW 100tonne
* Cross locks replaced by a dog clutch if tandem axle lift is specified.
- **RTH3210F** Drive Axles - RTH3210F 32-tonne hub reduction tandem with differential and cross locks* - design GCW 100 tonne
* Cross locks replaced by a dog clutch if tandem axle lift is specified.
- **RTH3312** Drive Axles - RTH3312 33-tonne hub reduction tandem with differential and cross locks* - design GCW 120tonne
* Cross locks replaced by a dog clutch if tandem axle lift is specified.
- **RTS2310A** Drive Axles - RTS2310A 23-tonne single reduction tandem with differential and cross locks*- design GCW 100tonne

■ Standard Equipment

□ Optional Equipment

For more detailed information about cab and powertrain equipment, please refer to separate specification sheets.

For all possible options and combinations of options please consult your Volvo sales contact who can create a specification to match your requirements using the Volvo Sales Support system (VSS).

The factory reserves the right to modify design and change equipment without previous notification. The specification can vary from country to country.

■ RTS2370A

* Cross locks replaced by a dog clutch if tandem axle lift is specified
Drive Axles - RTS2370A 23-tonne single reduction tandem with differential and cross locks*- design GCW 70tonne
* Cross locks replaced by a dog clutch if tandem axle lift is specified

PACKAGES

- **FUELPACK** Long Haul Fuel Economy driving package
- **DRIVE5** Drive Package
- **DRIVE5+** Drive + Package
- **DRIVE5++** Drive ++ Package
- **1LIVINFM** Sleep & Resting Package - Living one-bed
- **2LIVINFM** Sleep & Resting Package - Living two-bed
- **INFOBAS** Basic media package without secondary display
- **INFODF** Media Information Platform with Dynafleet Support
- **INFOMED** Media Information Platform - Medium level
- **INFONAV** Media Information Platform with Navigation
- **INFONDF** Media Information Platform with Navigation & Dynafleet Support
- **VISI5** Visibility Package
- **VISI5+** Visibility plus Package
- **SAFE-VE** Active Safety Package
- **SAFE-VE+** Active Safety + Package
- **CHASPAC** Chassis Package Rigid

CHASSIS

- **FST-PAR** Front suspension type - 2 leaf parabolic springs
- **FST-PAR3** Front suspension type - 3 leaf parabolic springs
- **FAL10.0** Front axle design capacity - 10 tonne - check tyre capacity
- **FAL8.0** Front axle design capacity - 8.0 tonne - check tyre capacity
- **FAL8.5** Front axle design capacity - 8.5 tonnes
- **FAL9.0** Front axle design capacity - 9.0 tonne - check tyre capacity
- **FSM-LUB** Front suspension maintenance - Lubricated rear shackles on pins and bushings
- **FSTAB** Front anti-roll bar - Normal stiffness
- **FSTAB2** Front anti-roll bar - Medium stiffness
- **FSTAB3** Front anti-roll bar - High stiffness
- **RAL21** Rear bogie design capacity - 21 tonne
- **RAL23** Rear bogie design capacity - 23 tonne
- **RAL26** Rear bogie design capacity - 26 tonne
- **RAL32** Rear bogie design capacity - 32 tonne
- **RSTAB1** Rear anti-roll bar - Normal stiffness
- **RSAP2** Rear suspension application - Heavy duty with reinforcements
- **ACTST-TO** Active Steering- Volvo Dynamic Steering - VDS - with extra electronic pump and torque overlay
- **ASFE-BAS** Active steering feature - Basic - Volvo Dynamic Steering - VDS - only
- **ASFE-OG** Active steering feature - Volvo Dynamic Steering - VDS - with stability assist - oversteer
- **ASFE-PO** Active steering feature - Volvo Dynamic Steering - VDS - with personal settings and stability assist
- **ASFE-PS** Active steering feature - Volvo Dynamic Steering - VDS - with personal settings
- **PSP-FIX** Power steering pump - Fixed displacement
- **PSP-VAR** Power steering pump - Variable displacement
- **EBS-MED** Brake package - EBS medium including "hill" hold function
- **AUXPARK** Auxiliary parking brake - Additional spring brakes
- **RST-MUL** Rear suspension type - Multi-leaf spring
- **RST-PAR1** Rear suspension type - Parabolic springs
- **FST7070** Chassis frame thickness - 7 mm web and flange
- **FST8080** Chassis frame thickness - 8 mm web and flange
- **FIL-EEEB** Chassis frame inner liner - From the end of the engine to the end of the bogie

MODEL RANGE

NEW FM 11 6x4 Rigid - B/T Ride - N3 or N3G FM 64R 1L

- FIL-EEEF** Chassis frame inner liner - From the end of the engine to end of the frame
- FIL-FBEB** Chassis frame inner liner - Over the rear bogie
- FIL-FBEF** Chassis frame inner liner - From the front of bogie to the end of the frame
- FIL-TXEB** Chassis frame inner liner - From gearbox member to the end of the bogie
- FIL-TXEF** Chassis frame inner liner - From gearbox member to the end of the frame
- **BBOX-L** Battery box position - Left hand side
- 2BAT210B** Battery Capacity - 2 x 210 Ah - Gel type
- **2BAT210C** Battery Capacity - 2 x 210 Ah - AGM Absorbent Glass-fibre Material type
- **BATTAMP** Battery management - Voltage and current gauge
- **BATTIND** Battery management - Charge indicator
- ADR2** ADR Adaptation - For transportation of dangerous goods on the road - Note does NOT include safe loading pass package if required this is quoted separately
- MSWI-A** Battery master switch - ADR switch circuit shut down
- **MSWI-C** Battery master switch - Chassis mounted toggle by the battery box
- MSWI-R** Battery master switch - Key fob operated remote controlled
- **R365A71** Right fuel tank - 365litre aluminium diameter 710mm
Min volume 255l
Max volume 885l
- **UL-FUEL** Without left fuel tank
Min volume 160l
Max volume 730l
- ADTP-L** AdBlue tank position - Chassis mounted on the left-hand side
- **ADTP-R** AdBlue tank position - Chassis mounted on the right-hand side
- ADB048** Plastic AdBlue tank - 48 litre
- **ADB064** Plastic AdBlue tank - 64 litre
- ADB068** Plastic AdBlue tank - 68 litre
- ADB090** Plastic AdBlue tank - 90 litre
- ADB100** Plastic AdBlue tank - 100 litre
- **FCAP-L** Diesel and AdBlue filler cap - Locking
- **FUFF-AS** Fuel filler - Anti-spill device
- FUFF-ATS** Fuel filler - Anti-spill & anti-syphon device
- ESH-LEFT** Exhaust - Horizontal silencer - left outlet
- **ESH-REAR** Exhaust - Horizontal silencer - rear outlet
- ESH-RIGH** Exhaust - Horizontal silencer - right outlet
- ESH-VERT** Exhaust - Horizontal silencer - vertical outlet
- EXST-SSP** Stainless steel exhaust stack - NOT polished
- EXST-ST** Steel exhaust stack
- HS-NAR** Narrow heat shield
- WHC-FIX2** Wheel chocks - Two fixed design
- WHC-FOL2** Two foldable wheel chocks
- WHCP-F** Wheel chock carrier position - In the front part of the vehicle
- WHCP-M** Wheel chock carrier position - Middle part of the vehicle
- WHCP-R** Wheel chock carrier position - In the rear part of the vehicle
- WHCP-T** Wheel chock carrier position - Outer luggage locker
- TB-L80** Toolbox 800 mm, left side
- TB-R80** Toolbox 800 mm, right side
- SUP-BAS** EC approved chassis side guards
- CHAIN-S** Snow chains
- HOOK-SC** Snow chain hooks
- **TOWF-NO1** Front towing device - One detachable - stored in cab
- TOWF-NO2** Front towing device - Two detachable - stored in cab
- TOWMBRH** Towing member, high mounted in centre of frame, D = 150
- TOWMBRL1** Towing member, low mounted under the frame
- TOWMBRM** Towing member, medium mounted in line with frame lower flange
- RFEC-L** Rear frame profile - Lower flange cut for centre axle drawbar
- **RFEC-S** Rear frame profile - Straight cut
- RFEC-U** Rear frame profile - Slight uppercut for tippers
- C-RI4040** Towing coupling, Ringfeder 4040 G-150
- C-RI5055** Towing coupling, Ringfeder 5055 G-150
- C-RO400G** Towing coupling, Rockinger 400 G-150 for 40mm eyes
- C-RO50** Rockinger RO 50 50mm for centre axle trailer
- TOWR-ONE** Towing hitch attached to rear crossmember
- **TREL-PK** Trailer electrical preparation kit - chassis/cab wiring
- TREL14** Single 14 pole electrical trailer connector
- TREL15** Trailer electrical connection - Single 15 pin - ADR certified
- TREL7** 7 pole - 24N trailer electrical suzie
- TREL7-7** Trailer electrical connection - 2 x 7 pin - 24N and 24S
- TBC-DUO** Duomatic type air line connectors
- TBC-EC** Trailer brakes with EC palm coupling connectors
- TRBR-HCF** Full pressure hand controlled trailer brake
- TRBR-STA** Stationary trailer brake control
- TRB-STRE** Stretch Brake - Automatic low speed trailer brake activation to avoid jack-knifing and improve steerability
- RUP-FOLD** Rear underrun protection - Aluminium folding EC approved
- RFEND-B** Three piece EC approved rear mud wings and spray flaps
- RFEND-T** Rear mud wings - Temporary on drive axle for transport delivery only
- RFH-BAS** Basic rear wing height
- RFH-HIG** High rear wing height - higher wing tops
- RFH-LOW** Lower rear wing height - shallower wing tops
- ATANK-AL** Air tanks - Aluminium
- **ATANK-ST** Air tanks - Steel
- REST-RUP**
- **TL-LED** Rear lights - LED
- BLIGHT-E** Emergency brake light

WHEELS & TYRES

- RT-AL** Wheels - Alcoa brushed aluminium rims - standard holes for long stud fixing
- RT-ALDP** Wheels - Alcoa Dura-Bright aluminium rims - standard holes for long stud fixing
- RT-ALDPD** Wheels - Alcoa Dura-Bright EVO aluminium rims - countersunk holes for short stud fixing
- RT-ALDU** Wheels - Alcoa brushed aluminium rims - countersunk holes for short stud fixing
- RT-SPOKE** Spoke rims on all axles
- **RT-STEEL** Wheels - Steel rims
- WCAP** Aerodynamic hub caps
- SPWT-D** Spare wheel & tyre with rear tyre pattern
- SPWT-F** Spare wheel & tyre with front tyre pattern
- SWCP-LF** Spare wheel carrier on left side of chassis ahead of rear axle
- SWCP-R** Rear mounted spare wheel carrier
- SWCP-T** Spare wheel supplied temporarily strapped to chassis
- SWCP-TP** Temporary spare wheel carrier on top of chassis frame
- JACK-12T** 12 tonne bottle jack
- JACK-15T** 15 tonne bottle jack
- JACK-20T** 20 tonne bottle jack
- **TOOL-BAS** Basic Toolkit
- TOOLKIT** Complete tool kit
- INFLAHOS** Tyre inflation hose
- GAUGE-TP** Tyre pressure gauge

DRIVELINE EQUIPMENT

- TRAP-HD** Reinforced gearbox application
- **DRM-BE** Balanced & Economy Drive Mode
- DRM-E** Economy Drive Mode

■ Standard Equipment □ Optional Equipment

For more detailed information about cab and powertrain equipment, please refer to separate specification sheets.

For all possible options and combinations of options please consult your Volvo sales contact who can create a specification to match your requirements using the Volvo Sales Support system (VSS).

The factory reserves the right to modify design and change equipment without previous notification. The specification can vary from country to country.

MODEL RANGE

NEW FM 11 6x4 Rigid - B/T Ride - N3 or N3G FM 64R 1L

- | | |
|---|---|
| <ul style="list-style-type: none"> <input type="checkbox"/> PVT-MAP I-See Predictive Cruise Control - using map based topography information <input type="checkbox"/> CRUIS-E Eco cruise control (with eco-roll and I-cruise, controls in steering wheel) ■ CRUISEC Cruise control, standard <input type="checkbox"/> AMSO-AUT Enhanced I-shift software with manual shift available in auto mode and kickdown facility on accelerator pedal <input type="checkbox"/> AVO-ENH I-Shift application software - for construction and off road applications <input type="checkbox"/> APF-ENH I-shift enhanced PTO functions <input type="checkbox"/> RET-TH Gearbox mounted retarder <input type="checkbox"/> RET-TPT Hydraulic Retarder for Powertronic gearbox <input type="checkbox"/> TC-HWO Transmission oil cooler - water to oil <input type="checkbox"/> TC-MAOH2 Extra high performance transmission oil cooler - air to oil with front mounted radiator <input type="checkbox"/> TC-MWO Basic transmission oil cooler - water to oil <input type="checkbox"/> 1COMP530 Air compressor - One-cylinder 530 litres per minute <input type="checkbox"/> 2COM1100 Air compressor - Two-cylinder 1100 litres per minute ■ 2COMP900 Air compressor - Two-cylinder 900 litres per minute <input type="checkbox"/> CLU-AIRC Clutchable air compressor ■ AIRIN-HI Air intake - Roof-mounted behind cab on the left-hand side <input type="checkbox"/> AIRIN-LO Low level air intake behind cab on left hand side <input type="checkbox"/> ACL1ST-S Air filter - two-stage element ■ 24AL110B Alternator capacity - 110 amp ■ 24AL120B Alternator capacity - 120 amp alternator ■ 24AL150B Alternator capacity - 150 amp <input type="checkbox"/> CCV-C Closed crankcase engine ventilation ■ CCV-OX Closed crankcase ventilation for cold markets ■ PRIM-EL Electrical priming pump <input type="checkbox"/> PRIM-MAN Manual priming pump <input type="checkbox"/> FUEQ-EH Fuel line electric heater <input type="checkbox"/> AF-R Hot fuel recirculation heated fuel filter ■ FUEFE2SW Small engine mounted dual fuel filter with water separator <input type="checkbox"/> EST-AID Engine starting aid -Preheating element in the air inlet manifold <input type="checkbox"/> 220EBH15 220V/1.5Kw electric engine block heater <input type="checkbox"/> PTER-100 Engine power-take-off - Rear-mounted with DIN100/ISO7646 flange <input type="checkbox"/> PTER-DIN Engine power-take-off - Rear-mounted with DIN5462 (female) splined shaft for a close-coupled pump
Models with 3 steering axles will use this to drive the steering pump (AUXPSP) <input type="checkbox"/> PTER1400 Engine power-take-off - Rear-mounted with SAE 1410 flange <input type="checkbox"/> HPE-F101 Parker F1-101, engine mounted, fixed displacement, single flow, engine mounted hydraulic pump <input type="checkbox"/> HPE-F41 Parker F1-41, engine mounted, fixed displacement, single flow, engine mounted hydraulic pump <input type="checkbox"/> HPE-F51 Parker F1-51, engine mounted, fixed displacement, single flow, engine mounted hydraulic pump <input type="checkbox"/> HPE-F61 Parker F1-61, engine mounted, fixed displacement, single flow, engine mounted hydraulic pump <input type="checkbox"/> HPE-F81 Parker F1-81, engine mounted, fixed displacement, single flow, engine mounted hydraulic pump <input type="checkbox"/> HPE-T53 Parker F2-53/53, engine mounted, Fixed displacement, Twin flow engine mounted hydraulic pump <input type="checkbox"/> HPE-T70 Parker F2-70/35, engine mounted, Fixed displacement, Twin flow engine mounted hydraulic pump <input type="checkbox"/> HPE-V45 Parker VP1-45, variable displacement, single flow, engine mounted hydraulic pump <input type="checkbox"/> HPE-V75 Parker VP1-75, variable displacement, single flow, engine mounted hydraulic pump <input type="checkbox"/> PTPT-D Powertronic PTO, 1 front/upper DIN connection for plug-in pump (max. 850 Nm) | <ul style="list-style-type: none"> <input type="checkbox"/> PTPT-F Powertronic PTO, 1 front/upper rear facing SAE flange conn. for prop shaft (max.850 Nm) <input type="checkbox"/> PTR-D Gearbox PTO for plug-in pump, 0.71xeng speed <input type="checkbox"/> PTR-DH Gearbox driven high speed PTO for one plug-in hydraulic pump <input type="checkbox"/> PTR-DM Gearbox driven medium speed PTO for one plug-in hydraulic pump <input type="checkbox"/> PTR-F Gearbox driven PTO with rear flange connection <input type="checkbox"/> PTR-FH Gearbox driven high speed PTO with SAE drive flange <input type="checkbox"/> PTR-FL Gearbox driven low speed PTO with SAE drive flange <input type="checkbox"/> PTRD-D Gearbox driven HIGH SPEED PTO for two plug-in hydraulic pumps <input type="checkbox"/> PTRD-D1 PTRD-D1 Gearbox driven HIGH SPEED PTO (1 SAE flange & 1 plug-in hydraulic pump) <input type="checkbox"/> PTRD-D2 Gearbox driven HIGH SPEED PTO (2 SAE flanges & 1 plug-in hyd pump) <input type="checkbox"/> PTRD-F PTO with 1 DIN + 1 flange connection rear, manual gearbox <input type="checkbox"/> HPG-F101 Parker F1-101 gearbox mounted, fixed displacement, single flow, hydraulic pump <input type="checkbox"/> HPG-F41 Parker F1-41 gearbox mounted, fixed displacement, single flow, hydraulic pump <input type="checkbox"/> HPG-F51 Parker F1-51 gearbox mounted, fixed displacement, single flow, hydraulic pump <input type="checkbox"/> HPG-F61 Parker F1-61 gearbox mounted, fixed displacement, single flow, hydraulic pump <input type="checkbox"/> HPG-F81 Parker F1-81 gearbox mounted, fixed displacement, single flow, hydraulic pump ■ STWPOS-R Steering wheel position - RIGHT-HAND DRIVE <input type="checkbox"/> STWM-LE Leather steering wheel <input type="checkbox"/> STGW-AD2 Adjustable steering wheel with neck tilt ■ STGW-ADJ Adjustable steering wheel ■ AIRBAG SRS Driver's air bag <input type="checkbox"/> INST-BAS Basic level instruments ■ DRC-AMII DPF Regeneration control switch - for manual and switching off regeneration ■ 1DAYDIG2 Tachograph - Continental VDO 4.0 <input type="checkbox"/> ARSL Additional road speed limit - switch in dashboard <input type="checkbox"/> SPEED-DU Dual speed limiter ■ ESP-BAS1 Electronic Stability Control <input type="checkbox"/> ESPC-RO ESP (Electronic Stability Program) functionality control - Reduced / Off <input type="checkbox"/> HWSS-ACB Adaptive cruise control ACC with forward collision warning and AEBs advanced emergency brake system ■ HWSS-FCB Forward collision warning with AEBs advanced emergency brake system ■ LSS-DW Lane departure-warning system <input type="checkbox"/> LCS Lane change support <input type="checkbox"/> DAS-W Driver Alert Support system <input type="checkbox"/> RSENS-W Rain sensing windscreen wipers <input type="checkbox"/> CU-ECC Cab Climate Unit - Electrically controlled air conditioning with sun sensor <input type="checkbox"/> CU-ECC2 Cab Climate Unit - Electrically controlled air conditioning with a carbon filter, sun, mist, and air quality sensor ■ CU-MCC Cab Climate Unit - Manual air conditioning ■ IMMOBIL Thatcham H2 approved immobiliser <input type="checkbox"/> ALARM-E Enhanced vehicle alarm - Thatcham H1 approved - Cab plus external sensor for body/trailer <input type="checkbox"/> ALCOLOCK Alcolock <input type="checkbox"/> BUPMON Back up monitor - Digital reverse camera, parameter & lead supplied loose in cab. <input type="checkbox"/> PHONE-PK Telephone preparation kit (antenna, antenna attachm. cable incl.) |
|---|---|
- Standard Equipment □ Optional Equipment

For more detailed information about cab and powertrain equipment, please refer to separate specification sheets.

For all possible options and combinations of options please consult your Volvo sales contact who can create a specification to match your requirements using the Volvo Sales Support system (VSS).

The factory reserves the right to modify design and change equipment without previous notification. The specification can vary from country to country.

MODEL RANGE

NEW FM 11 6x4 Rigid - B/T Ride - N3 or N3G FM 64R 1L

<input type="checkbox"/> WLIFT-EB	Electrical window lift	<input type="checkbox"/> MATL-SF	Lower flexizone mattress - semi-firm, pocket springs up to 100kg - 16 stone
<input type="checkbox"/> WLIFT-ME	Mechanical window lift	<input type="checkbox"/> OLMAT-BA	35mm mattress overlay protector
<input type="checkbox"/> ISUNS-BS	Side sun visor - Driver & passenger side	<input type="checkbox"/> OLMAT-PR	50mm premium mattress overlay protector
<input checked="" type="checkbox"/> ISUNS-DS	Side sun visor - Driver-side	<input type="checkbox"/> TBK60F	Fixed foldable top bunk 600 x 1900mm
<input type="checkbox"/> ISUNF-B	Interior front sun visor without mirror	<input type="checkbox"/> TBK70F	Fixed foldable top bunk 700 x 1900mm
<input type="checkbox"/> ISUNF-MD	Interior front sun visor with mirror on driver side	<input type="checkbox"/> PH-CAB2	1.8kW Air to air night heater
<input type="checkbox"/> ISUNF-RE	Electrically operated textile interior sun blind	<input type="checkbox"/> PH-ENGCA	Engine and cab night heater
<input checked="" type="checkbox"/> ISUNF-RM	Manually operated textile interior sun blind	<input type="checkbox"/> PH-SS	Short stop heater
<input type="checkbox"/> ADFS	Two extra DIN slots in front shelf - can be fitted with card or drawer available as an accessory	<input type="checkbox"/> SLCP-BAS	Sleeper control panel - Basic with switches for interior light, night heater, roof hatch and door lock
<input checked="" type="checkbox"/> BUPALARM	Reverse alarm	<input type="checkbox"/> ETSB-F	Storage on engine tunnel - Central document box with two rear cup holders
<input type="checkbox"/> RTOLL-PK	Road toll PREPARATION kit for trucks operating with "Toll Collect" in Germany	<input type="checkbox"/> ETSB-FR	Storage on engine tunnel - Central document box with two rear cup holders & open storage pocket on cab rear wall
<input type="checkbox"/> REMC-MF	Multi-functio wireless remote control	<input type="checkbox"/> ETSB-R	Storage on engine tunnel - Open storage pocket on cab rear wall
<input type="checkbox"/> FIREXT3S	Fire extinguisher - 3kg mounted on the seat base	<input type="checkbox"/> RUS-BAS	Rear cab upper storage - 300 mm high
<input type="checkbox"/> WARNVEST	High visibility warning vest - no sleeves	<input type="checkbox"/> RUS-HIG	Rear cab upper storage - 440 mm high - volume 245 litres
<input type="checkbox"/> AIDKIT	First aid kit - Legal demand for EU markets including delivery to EU bodybuilder	<input type="checkbox"/> REF-ICPK	Fridge: engine tunnel mounted preparation kit
<input type="checkbox"/> AIDKIT1B	First aid kit - Legal demand for trucks transiting Germany	<input type="checkbox"/> REFR-RUS	Fridge - 28 litre rear upper wall mounted with dividers
<input type="checkbox"/> WARNLAMP	Portable warning lamp	<input type="checkbox"/> MICRO-PK	Wiring preparation kit for microwave oven
<input type="checkbox"/> LAMP-IN	Inspection lamp	<input type="checkbox"/> BOTH-D	One bottle holder under dashboard centre section
<input type="checkbox"/> BULBKIT	Bulb and fuse kit	<input type="checkbox"/> COFMA-PK	Coffee maker, preparation kit.
<input type="checkbox"/> WRITEPAD	Writing pad	<input checked="" type="checkbox"/> INLI-BAS	Interior white LED lights - basic
<input checked="" type="checkbox"/> DST-CF4	Driver seat - Suspended, adjustable shock absorber, travel, backrest & lumbar controls - seatbelt mounted to the seat	<input type="checkbox"/> INLI-NL	Interior white and red night LED light with no dimmer
<input type="checkbox"/> DST-CF5	Driver seat - Suspended with adjustable shock absorber, travel, backrest, lumbar & heat controls - seatbelt mounted to the seat	<input type="checkbox"/> INLI-NLD	Interior white and red night LED light with dimmer
<input type="checkbox"/> DST-CF6	Driver seat - Suspended with adjustable shock absorber, travel, backrest, lumbar, heat and ventilation controls - seatbelt mounted to the seat	<input type="checkbox"/> ARL-FLEX	Two flexible reading lamps (snake lamps)
<input type="checkbox"/> SBD-RED	Seat belt colour - Red	<input checked="" type="checkbox"/> RH-EE	Fixed tinted glass sky window with emergency exit
<input type="checkbox"/> SBPRE-DS	Driver seat belt pretensioner	<input type="checkbox"/> RH-ER	Steel roof hatch - Electrically operated, rear opening with emergency exit
<input checked="" type="checkbox"/> PST-BAS1	Passenger seat - Fixed non suspended fold up with seatbelt mounted in cab	<input type="checkbox"/> RH-ETR	Tinted glass roof hatch - Electrically operated, rear opening with emergency exit
<input type="checkbox"/> PST-BENC	Passenger seat - Two-person bench	<input type="checkbox"/> RH-MTR	Tinted glass roof hatch - Manually operated, rear opening with emergency exit
<input type="checkbox"/> PST-CF4	Passenger seat - Suspended, adjustable shock absorber, travel, backrest & lumbar controls - seatbelt mounted to the seat	<input checked="" type="checkbox"/> GLAS-TIN	Tinted windows.
<input type="checkbox"/> PST-CF5	Passenger seat - Suspended with adjustable shock absorber, travel, backrest, lumbar & heat controls - seatbelt mounted to the seat	<input type="checkbox"/> SWIND-BS	Extra side window on both sides behind "B" pillar
<input type="checkbox"/> PST-STD2	Passenger seat - Fixed with backrest adjustment, non suspended with seatbelt mounted in cab	<input type="checkbox"/> SWIND-PS	Cab side window - Left side rear behind 'B' post
<input type="checkbox"/> PST-STD4	Passenger seat - Standard suspended with seatbelt mounted in cab	<input type="checkbox"/> AWIND-RF	Rear window
<input type="checkbox"/> SBPRE-PS	Passenger seat belt pretensioner	<input type="checkbox"/> VANMIR	Vanity mirror in front shelf
<input type="checkbox"/> ARM-DBPS	Armrests - Two on the driver and one - outer - on the passenger seat	<input type="checkbox"/> AS-FUS	Extra shelf in front upper storage compartments
<input type="checkbox"/> ARMRE-BB	Armrests - Two on both driver & passenger seats	<input type="checkbox"/> INFOT-PK	Preparation kit for the mounting of a flat screen TV in cab above the driver's door, includes bracket, electrical and speaker connections
<input type="checkbox"/> ARMRE-DB	Armrests - Two on the driver seat	CAB EXTERIOR	
<input type="checkbox"/> ARMRE-PB	Armrests - Two on the passenger seat	<input type="checkbox"/> EXTL-BA2	Enhanced exterior finish - Satin Volvo badges, instep, bumper, and mirror housing in cab colour. Main grille in thunder grey. Aluminium step inserts. Sunvisor and bumper spoiler in cab colour if specified.
<input type="checkbox"/> ARMRE-PS	Armrest - Single on the passenger seat	<input checked="" type="checkbox"/> EXTL-BAS	Basic exterior finish - Satin Volvo badges, grey grille, instep, bumper, bumper spoiler, grille, door handles mirror housing and sunvisor if specified.
<input type="checkbox"/> ARU-BAS	Armrest upholstery - Vinyl	<input checked="" type="checkbox"/> DGLAS-H	Tempered door glass
<input type="checkbox"/> ARU-LEA	Armrest upholstery - Leather	<input type="checkbox"/> DGLAS-L	Laminated door glass
<input checked="" type="checkbox"/> FMAT-RUB	Footwell floor mats - Rubber	<input checked="" type="checkbox"/> LOCK-CTL	Door locks - Central locking with key
<input type="checkbox"/> FMAT-TX2	Footwell floor mats - Two sets, Rubber and textile with an embossed pile supplied in the cab	<input type="checkbox"/> LOCK-REM	Door locks - Remote central locking
<input type="checkbox"/> LBK70	Lower bunk 700 x2000 mm, fixed	<input type="checkbox"/> BUMP-B	Plastic front bumper
<input type="checkbox"/> MATL-FI	Firm lower bunk pocket sprung mattress	<input checked="" type="checkbox"/> BUMP-B2	Steel front bumper
		<input type="checkbox"/> BUMP-SP	Front bumper spoiler
		<input type="checkbox"/> GUARD-EH	Engine guard to protect sump and engine hoses

Standard Equipment

Optional Equipment

For more detailed information about cab and powertrain equipment, please refer to separate specification sheets.

For all possible options and combinations of options please consult your Volvo sales contact who can create a specification to match your requirements using the Volvo Sales Support system (VSS).

The factory reserves the right to modify design and change equipment without previous notification. The specification can vary from country to country.

MODEL RANGE

NEW FM 11 6x4 Rigid - B/T Ride - N3 or N3G FM 64R 1L

- **BUGNET** Insect screen in front of radiator
 - **CTILTPE-E** Electrically operated hydraulic cab tilt
 - **CTILTPE-M** Manually operated hydraulic cab tilt
 - **FCABS-A** Front cab suspension - Air
 - **FCABS-M** Front cab suspension - Mechanical spring
 - **RCABS-A** Rear cab suspension - Air
 - **RCABS-M** Rear cab suspension - Mechanical spring
 - **MIRCFCPS** Mirrors - Electrically heated and operated main and wide-angle with manually adjusted kerb view mirror on the passenger side and position camera in nearside mirror arm.
 - **MIRCFCPX** Mirrors - Electrically heated and operated - FMX- main and wide-angle with manually adjusted kerb view mirror on the passenger side and position camera in nearside mirror arm. To increase direct vision to the side the main mirrors have no cowlings
 - **MIRCOMF** Electrically heated and operated main and wide angle mirrors and manually adjusted kerb view mirror on passenger side
 - **MIRCOMFX** Electrically heated and operated -FMX- main and wide-angle mirrors with manually adjusted passenger kerb mirror, to increase direct vision to the side the main mirrors have no cowlings
 - **MIRSTD** Electrically heated main and wide angle mirrors and manually adjusted kerb view mirror on passenger side
 - **MIRSTDX2** Electrically heated -FMX- main and wide-angle mirrors with manually adjusted passenger kerb mirror, to increase direct vision to the side the main mirrors have no cowlings
 - **AMIR-F20** Auxiliary front view mirror with a 200mm radius
 - **SUNV-H** External smoke grey sunvisor
 - **AD-ROOF** Roof air deflector
 - **AD-SIDES** Short cab side air deflector for rigid bodywork
 - **HL-BASIC** Halogen H7 head lamps
 - **HL-CLEAN** Head lamp cleaner - washer jets
 - **HLP-ST** Headlamp protection
 - **HL-ADJ** Headlight adjustment - Switch in cab
 - **DRIVL2** Two spot lamps
 - **UDRIVL** Without auxiliary driving lights
 - **FOGL-WC** Front fog lights
 - **CL-STAT** Static corner lights
 - **ASL-RF2** Two Hella H11 70W spotlamps in sign box - only available with the basic headlight and no lower driving lights.
 - **BEACOA2F** Roof beacons - Two front roof mounted amber LED
 - **BEACOA2R** Roof beacons - Two rear roof mounted amber LED
 - **BEACON-P** Roof beacons - wiring preparation only
 - **BEACONA4** Roof beacons - Four amber LED - two front/ two rear
 - **CABPT-R1** Single outlet for roof mounted accessories
 - **CABPT-R2** Twin outlets for roof mounted accessories.
 - **SPOTP-F** Spotlamp preparation in front, max 280W
 - **SPOTP-R** Spotlamp preparation on roof, max 280W
 - **SPOTP-RF** Spotlamp preparation on cab roof and in cab front, max 2x280W
 - **ROS-IL2** Preparation kit for illuminated roof sign with switch loose in cab, fit after registration
 - **CSGN-GTR** "Globetrotter" headboard logo
 - **HORN-F1S** Horn - Air single tone - chassis mounted
 - **HORN-R2S** Horn - Air - Two roof-mounted
 - **ANT-CBR** Roof mounted antenna for CB radio, single aerial
 - **ACCB-R-AP** Front, middle & rear roof mounted accessory brackets
 - **ACCB-R-F** Front roof mounted accessory bracket
 - **ACCB-R-FM** Front & middle roof mounted accessory brackets
 - **ACCB-R-FR** Front & rear roof mounted accessory brackets
 - **ACCB-R-M** Middle roof mounted accessory bracket
 - **ACCB-R-R** Rear roof mounted accessory bracket
 - **ACCB-R-RM** Rear & middle roof mounted accessory brackets
 - **REFS-TW** White cab conspicuity markings by packed in cab
 - **REFS-TY** Yellow cab conspicuity markings by packed in cab
- ## SUPERSTRUCTURE PREPARATIONS
- **SRWL-PK** Chassis-mounted working lamps - Side work and reverse lamp preparation and 3 position switch - Max load 280W
 - **SWL-2FW** Chassis-mounted working lamps - Two white front-mounted LED lamps
 - **SWL-2RW** Chassis-mounted working lamps - Two white rear-mounted LED lamps
 - **SWL-4W** Chassis-mounted working lamps - Four white front and rear-mounted LED lamps
 - **SWL-PK** Chassis-mounted working lamps - Side work lamp preparation and 2 position switch - Max load 280W
 - **WLC-H2A** Two H3/70W working lamps with amber coloured lens high mounted back of cab
 - **WLC-H2W** Two H3/70W white working lamps high mounted on the back of cab
 - **WLC-PKCH** Working lamp back of cab - Preparation kit - cables and switch
 - **WLC-PKH** Preparation kit, cables and switch for high mounted working lamps back of cab
 - **WLC-PKL** Preparation kit, cables and switch for low mounted working lamps back of cab
 - **WLC-PKLH** Preparation kit - cables and switch for low and high mounted working lamps back of cab.
 - **ECBB-HIG** Body builder electrical centre with body builder module
 - **BBCHAS1** One 7-pole connector for Body builder interface
 - **BBCHAS3** Three 7-pole connectors for Body builder interface
 - **BEPR-T2** Body builder electrical software preparation for tipper with remote control
 - **EXSTER** External steering control - Volvo dynamic steering and bodybuilder module prepared for external control system, installed and computer by bodybuilder
 - **TD-BAS** Trailer detection WITHOUT LED sensing
 - **TD-LED** Trailer detection with LED sensing
 - **FRFS-B5** Frame rail free space on both sides to give space for crane legs or other equipment.
 - **FBA-BTF** Lower front body attachments for torsionally flexible - platform body
 - **FBA-BTSF** Lower front body attachments for torsionally semi-flexible body - box or curtainsider
 - **HBA-FSFB** Holes for body attachments - flexible/semi-flexible body
 - **HBA-SB** Holes for body attachments - stiff body
 - **RBA-T2** Lower rear body attachments for helper frame
 - **CRANEPK1** Crane plates mounted to frame, for cranes up to 10 tonne metre capacity
 - **CRANEPK2** Crane plates mounted to frame, for cranes up to 20 tonne metre capacity
 - **CRANEPK4** Crane plates mounted to frame, for cranes up to 40 tonne metre capacity
 - **AUXL-SPK** Electrical preparation kit - wiring and switch for snow plough lights
 - **TAILPRE2** Tail lift preparation kit, wireless remote operation
 - **TAILPREP** Taillift preparation kit - cab switch and warning in driver display
 - **AESW2** Two Body builder bistable electrical switches (marked AUX1 / AUX2)
 - **AESW2PK** 2 Body builder bistable el.switches (marked AUX1/AUX2) and prep. for 4 more switches
 - **AUXSW-4** Wiring for 4 extra switches (from Body builder electrical centre to switch positions)
- ## DELIVERY SERVICES
- **TGW-4GWL** Telematics gateway - GSM/GPRS/4G modem, LTE & WLAN

■ Standard Equipment

□ Optional Equipment

For more detailed information about cab and powertrain equipment, please refer to separate specification sheets.

For all possible options and combinations of options please consult your Volvo sales contact who can create a specification to match your requirements using the Volvo Sales Support system (VSS).

The factory reserves the right to modify design and change equipment without previous notification. The specification can vary from country to country.

MODEL RANGE

NEW FM 11 6x4 Rigid - B/T Ride - N3 or N3G FM 64R 1L

- **FMS-PK** Fleet Management System gateway
- **DRUT2** Driver utility app - "My Truck" - two-year subscription
For mobile phone, tablet, with android and IOS systems.
Only available with Volvo Connect subscription

VOLVO

Volvo Truck Corporation
volvotrucks.com