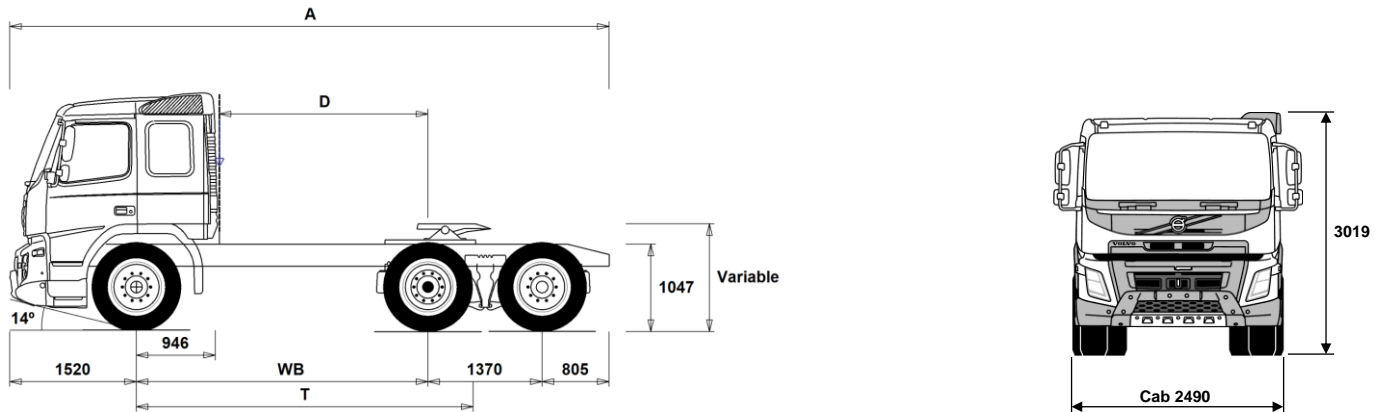


MODEL RANGE



Volvo Trucks. Driving Progress

FMX13 6x2 Tractor - Tag - Rear Air Suspension FM 62 TT3HAX



Chassis Dimensions [mm]

WB Wheelbase	3000	3200	3400	3900
A Overall Chassis Length	6695	6895	7095	7595
D Center of rear axle to back of cab	2004	2204	2404	2904
T Theoretical Wheelbase	3541	3741	3941	4441

Chassis Weights [kg]

Front Axle	4535	4545	4570	4595
Rear Bogie	2990	2985	2990	2995
Kerb Weight	7525	7530	7560	7590

Turning Diameter [mm]

Turning Circle Diameter Kerb to Kerb	12900	13500	14100	15600
Turning Circle Diameter Wall to Wall	14300	15000	15600	17100

Plated Weights [kg]

	Plated	Design
Gross Vehicle Weight	26000	26100
Gross Combination Weight	44000	44000
Front Axle	7100	7100
Rear Bogie	19000	19000

Important Notes

Chassis Dimensions

Cab Height: +416 mm for CAB-HSLP, +554 mm for CAB-XHSL.
Front Axle to Back of Cab: -424 mm for CAB-DAY.

D-measure includes a front clearance of 50 mm and for rigid trucks also a subframe of 100 mm.

Height can vary ± 20 mm for leaf and ± 10 mm for air suspension.

All dimensions are for unladen chassis and any tag axles down. Chassis height used: CHH-HIGH.

Height change when chassis height CHH-MED,FRAME266: 0 mm.

Weight and dimensions are based upon the following tyres:

Front Axle Tyres:	315/80R22.5
Drive Axle Tyres:	315/80R22.5
Trailing/Pusher Axle Tyres:	315/80R22.5

Chassis weight includes oil, water, AdBlue, 0 litres fuel and without driver. Kerb weight can vary $\pm 3\%$.

Turning diameters are theoretically calculated. Tag axle used: TA-FIXED.

Legal weights can differ from country to country.

For more detailed weight information, including optional equipment weights, ask your Volvo sales contact to enter your specification into the Volvo Weight Information system (WIS).

Do NOT use this drawing for bodybuilding. Refer to Volvo Bodybuilder Instructions and chassis assembly drawing FM62TT3HAX.

MODEL RANGE

FMX13 6x2 Tractor - Tag - Rear Air Suspension FM 62 TT3HAX

TRUCK USE

- RC-ROUGH** Operating class on/off road
- RC-SMOOT** Operating class highway

CORE COMPONENTS

- CHH-HIGH** Chassis height high - N3 "On Road" chassis - For a specific loading height always check the unique BEP chassis drawing
- CHH-MED** Chassis height medium - For a specific loading height always check the unique BEP chassis drawing
- TAG-FIXD** Tag axle - Fixed with twin tyres on tag axle
- TAG-FIXS** Tag axle - Fixed with single tyres on tag axle
- RADT-GR** Rear air suspension, 2 axles - 1 driven/1 tag
- FMX-DAY** Day cab - with steel safety cage design
Designed and built to Swedish impact and ECE R29 regulations
- FMX-HSLP** Globetrotter cab - with steel safety cage design
Designed and built to Swedish impact and ECE R29 regulations
- FMX-SLP** Sleeper cab - with steel safety cage design
Designed and built to Swedish impact and ECE R29 regulations
- EU6SCR** Emission level - Euro 6
- D13 420S** D13K420 12.8 litre engine developing 420hp at 14-1800rpm. Peak torque 2100Nm at 860 -1400rpm.
- D13 460S** D13K460 12.8 litre engine developing 460hp at 14-1800rpm. Peak torque 2300Nm at 900-1400rpm.
- D13 500S** D13K500 12.8l engine developing 500hp at 14-1800rpm. Peak torque 2500Nm at 1000-1400rpm.
- D13 540S** D13K540 12.8l engine developing 540hp at 14-1800rpm. Peak torque 2600Nm at 1000-1450rpm.
- D13K420** D13K420 - 420hp engine
- D13K460** D13K460 - 460hp engine
- D13K500** D13K500 - 500hp engine
- D13K540** D13K540 - 540hp engine
- EBR-EPG** Exhaust brake controlled by steering column switch
- EBR-EPGC** Exhaust pressure governor for I shift gearbox
- EBR-VEB+** Volvo engine brake + and exhaust pressure governor, enhanced performance from additional exhaust rocker control. Retardation 375kW
- AT2412F** AT2412F 12-speed "I-shift" automated mechanical gearbox suitable for gross train weights up to 44tonne only refer to sales engineering when used in conjunction with a PTO
- AT2612F** AT2612F 12-speed "I-shift" automated mechanical gearbox suitable for gross train weights up to 60tonne only refer to sales engineering when used in conjunction with a PTO
- ATO2612F** ATO2612F 12-speed "I-shift" overdrive automated mechanical gearbox suitable for gross train weights up to 60tonne refer to sales engineering when used in conjunction with a PTO
- PT2606** Powertronic automatic 6-speed gearbox, max. engine torque 2600 Nm, max. permitted GCW 130000 kg
- SPO2812** SPO2812 - 12 speed I-shift Dual Clutch automated mechanical gearbox GCW 60tonne
- RSH1370F** RSH1370F hub reduction rear axle with differential lock - design GCW 70 tonne
- RSS1344E** RSS1344E single reduction rear axle with differential lock - design GCW 44tonne
- RSS1352A** RSS1352A single reduction 13 tonne rear axle with differential lock - design GCW 52 tonne
- RSS1356** RSS1356 single reduction rear axle with differential lock - design GCW 56 tonne
- RSS1370A** RSS1370A single reduction 13 tonne rear axle with differential lock - design GCW 70 tonne
- RSS1370B** RSS1370B single reduction 13 tonne rear axle with differential lock - design GCW 70 tonne

PACKAGES

- Standard Equipment
- Optional Equipment

For more detailed information about cab and powertrain equipment, please refer to separate specification sheets.

For all possible options and combinations of options please consult your Volvo sales contact who can create a specification to match your requirements using the Volvo Sales Support system (VSS).

The factory reserves the right to modify design and change equipment without previous notification. The specification can vary from country to country.

- AIRFLPAC** Air flow package including roof and side air deflectors plus chassis skirts
- DRIVEFM** Cab Package: Drive
- DRIVEFM+** Cab Package: Drive +
- BEDFM** One bed resting package
- AUDHIG** High Power Audio system: RDS radio with CD player - also playing MP3/WMA files from CD -, with integrated bluetooth phone and USB/Line inputs. FM/AM antenna, speakers in dashboard, doors, and sleeping compartment.
- MEDIA** AM/FM Bluetooth radio without CD player. USB and Aux line inputs. Speakers in dashboard, doors, and sleeping compartment. 7" touch screen with personal apps.
- MEDIADF** AM/FM Bluetooth radio without CD player. USB and Aux line inputs. Speakers in dashboard, doors, and sleeping compartment. 7" touch screen with personal and professional apps. Dynafleet vehicle on-board data display with office internet support.
- MEDIANAV** AM/FM Bluetooth radio without CD player. USB and Aux line inputs. Speakers in dashboard, doors, and sleeping compartment. 7" touch screen with personal and professional apps. Truck based satellite navigation (live updates not included)
- MEDIANDF** AM/FM Bluetooth radio without CD player. USB and Aux line inputs. Speakers in dashboard, doors, and sleeping compartment. 7" touch screen with personal and professional apps. Truck based satellite navigation (live updates not included) Dynafleet vehicle on-board data display with office internet support.
- VISIX15** Visibility Package
- ASAF15** Active Safety Package
- CHASSIS**
 - FST-AIR** Front suspension type - air
 - FST-PAR** Front suspension type - 2 leaf parabolic springs
 - FST-PAR3** Front suspension type - 3 leaf parabolic springs
 - FSL5-BAS** Front suspension levelling - basic stroke
 - FSL5-HI** Front suspension levelling - high stroke for demount operations - check with bodybuilder
 - FAL10.0** Front axle design capacity 10 tonnes - Ensure that you have checked the tyre load index
 - FAL7.1** Front axle design capacity 7.1 tonnes
 - FAL7.5** Front axle design capacity 7.5 tonnes
 - FAL8.0** Front axle design capacity 8.0 tonnes - Ensure that you have checked the tyre load index
 - FAL8.5** Front axle design capacity 8.5 tonnes
 - FAL9.0** Front axle design capacity 9.0 tonnes - Ensure that you have checked the tyre load index
 - FSTAB** Front anti-roll bar
 - FSTAB2** Front anti-roll bar medium stiffness
 - FSTAB3** Front stiff anti-roll bar
 - RSL5-BAS** Rear air suspension basic levelling stroke
 - RAL19** Rear bogie design capacity 19 tonnes
 - RAL20.5** Rear bogie design capacity 20.5 tonnes
 - RAL22.5** Rear bogie design capacity 22.5 tonnes
 - RSTAB1** Rear anti-roll bar
 - RSTAB2** Rear anti roll bar medium stiffness
 - RSTAB3** Rear stiff anti-roll bar
 - RALIM10** Rear axle load limiter, 10 tonnes
 - RALIM105** Rear axle load limiter, 10.5 tonnes
 - RALIM115** Rear axle load limiter, 11.5 tonnes
 - RALIM95** Rear axle load limiter, 9.5 tonnes
 - ACTST-TO** Volvo Dynamic Steering (VDS) with with extra electronic pump and torque overlay
 - ASFE-BAS** Active steering feature - Basic - Volvo Dynamic Steering only

MODEL RANGE

FMX13 6x2 Tractor - Tag - Rear Air Suspension FM 62 TT3HAX

- | | |
|---|---|
| <ul style="list-style-type: none"> <input type="checkbox"/> ASFE-OG Active steering feature - Volvo Dynamic Steering with stability assist - oversteer <input type="checkbox"/> ASFE-PO Active steering feature - Volvo Dynamic Steering with personal settings and stability assist <input type="checkbox"/> ASFE-PS Active steering feature - Volvo Dynamic Steering with personal settings ■ PSS-SING Single power steering system ■ PSP-FIX Power steering pump with fixed displacement <input type="checkbox"/> PSP-VAR Power steering pump with variable displacement ■ EBS-MED EBS medium package including "hill" hold function ■ RST-AIR Rear air suspension <input type="checkbox"/> RST-AIR4 Rear air suspension with reinforced air bellows ■ FBREG-E Front regulating brake valve, EBS ■ SUSPL-EC Remote electronic control on wander-lead for air suspension levelling ■ FRAME266 Frame rail section external height 266 mm <input type="checkbox"/> FRAME300 Frame rail section external height 300 mm <input type="checkbox"/> FST7070 Frame thickness - web and flange 7.0mm ■ FST8080 Frame thickness - web and flange 8.0mm <input type="checkbox"/> FIL-EEEB Inner liner from end of engine to end of bogie <input type="checkbox"/> FIL-TXEB Inner liner from gearbox member to end of bogie <input type="checkbox"/> BBOX-EF Battery box located in the end of frame ■ BBOX-L Battery box located on left hand side <input type="checkbox"/> BATS-D Dual energy battery system - 2 living batteries and 2 starter batteries. ■ BATS-S Single energy battery system (2 batteries) <input type="checkbox"/> 2BAT210B 2 x 210 Ah capacity Gel batteries ■ 2BATT170 2 x 170 Ah capacity batteries <input type="checkbox"/> 2BATT225 2 x 225 Ah capacity batteries ■ BATTAMP Battery voltage and ampere gauge <input type="checkbox"/> BATTIND Battery charge indication <input type="checkbox"/> ADR2 ADR package for transportation of dangerous goods on road (Note does NOT include safe loading pass package if required this is quoted separately) <input type="checkbox"/> MSWI-A Main switch - ADR switch circuit shut down ■ MSWI-C Main switch - Chassis mounted toggle switch by battery box <input type="checkbox"/> MSWI-R Main switch - Key fob operated remote controlled ■ R330A71 Right aluminium 710 mm D-shaped fuel tank, 330 litres volume
Min volume 150l
Max volume 810l ■ UL-FUEL Without left fuel tank
Min volume 160l
Max volume 770l <input type="checkbox"/> ADTP-BC AdBlue tank behind/under cab on right hand side <input type="checkbox"/> ADTP-L AdBlue tank on left hand side ■ ADTP-R AdBlue tank on right hand side <input type="checkbox"/> ADB048 AdBlue tank usable volume 48 litres <input type="checkbox"/> ADB050 AdBlue tank usable volume 50 litres - under cab ■ ADB064 AdBlue tank usable volume 64 litres <input type="checkbox"/> ADB068 AdBlue tank usable volume 68 litres <input type="checkbox"/> ADB090 AdBlue tank usable volume 90 litres <input type="checkbox"/> ADB100 AdBlue tank usable volume 100 litres <input type="checkbox"/> ADTC-BF AdBlue tank cover with satin alloy look decorative cover ■ FCAP-L Locking fuel filler cap ■ FUFF-AS Fuel filling anti-spillage device <input type="checkbox"/> FUFF-ATS Fuel filling anti-theft and anti-spillage devices <input type="checkbox"/> ESH-LEFT Horizontal silencer, left exhaust outlet <input type="checkbox"/> ESH-REAR Horizontal silencer, rear exhaust outlet <input type="checkbox"/> ESH-RIGH Horizontal silencer, right exhaust outlet <input type="checkbox"/> ESH-VERT Horizontal silencer, vertical exhaust outlet <input type="checkbox"/> EXST-SSP Stainless steel exhaust stack - NOT polished | <ul style="list-style-type: none"> <input type="checkbox"/> EXST-ST Steel exhaust stack <input type="checkbox"/> WHC-FIX2 Two fixed wheel chocks <input type="checkbox"/> WHC-FOL2 Two foldable wheel chocks <input type="checkbox"/> WHCP-F Wheel chock(s) stored in the front part of the vehicle <input type="checkbox"/> WHCP-M Wheel chock(s) stored in the middle part of the vehicle <input type="checkbox"/> WHCP-T Transport mounted wheel chock(s) stored in cab outer luggage locker <input type="checkbox"/> TB-L80 Toolbox 800 mm, left side <input type="checkbox"/> TB-R80 Toolbox 800 mm, right side <input type="checkbox"/> SUP-BAS EC approved chassis side guards <input type="checkbox"/> SUP-LOW EC approved low chassis side guards <input type="checkbox"/> CHAIN-S Snow chains <input type="checkbox"/> HOOK-SC Snow chain hooks ■ TOWF-HD1 One heavy duty front towing device ■ RFEC-B Rear frame end, bent down - standard for tractor vehicles <input type="checkbox"/> TOWR-ONE Towing hitch attached to rear crossmember <input type="checkbox"/> TREL15 Single 15 pole electrical trailer connector - ADR certified <input type="checkbox"/> TREL7 7 pole - 24N trailer electrical suzie ■ TREL7-7 24N and 24S trailer electrical suzies <input type="checkbox"/> TBC-DUO Duomatic type air line connectors <input type="checkbox"/> TBC-EC Palm coupling type air line connectors ■ TBC-GBR 'C' and 'CA' type air line connectors <input type="checkbox"/> TRBR-HCF Full pressure hand controlled trailer brake ■ TRBR-STA Stationary trailer brake control <input type="checkbox"/> TRB-STRE Stretch Brake - Automatic low speed trailer brake activation to avoid jack-knifing and improve steerability ■ RFEND-B Three piece EC approved rear mud wings and spray flaps ■ RFH-BAS Basic rear wing height <input type="checkbox"/> RFH-HIG High rear wing height - higher wing tops <input type="checkbox"/> RFH-LOW Lower rear wing height - shallower wing tops <input type="checkbox"/> ATANK-AL Aluminium air tanks ■ ATANK-ST Steel air tanks ■ TL-LED Rear lights LED <input type="checkbox"/> BLIGHT-E Emergency brake light |
|---|---|
- Standard Equipment □ Optional Equipment

WHEELS & TYRES

- RT-AL** Alcoa brushed aluminium rims with standard holes for long stud fixing on all axles
- RT-ALDP** Alcoa Dura-Bright EVO aluminium rims with standard holes long stud fixing on all axles, requires cleaning with a ph neutral solution - washing up liquid.
- RT-ALDPD** Alcoa Dura-Bright EVO aluminium rims with countersunk holes for short stud fixing on all axles, requires cleaning with a ph neutral solution - washing up liquid.
- RT-ALDU** Alcoa brushed aluminium rims with countersunk holes for short stud fixing on all axles
- **RT-STEEL** Steel rims on all axles
- WCAP** Aerodynamic hub caps
- BRREC001** Bridgestone ECOPIA H - Energy rating C
- BRREC002** Bridgestone Ecopia H 002 Evo - Tyre recommendation 2
- COREC002** Continental ECOPLUS HS3/HD3 - Energy rating B or C depending on size
- COREC003** Continental Efficient Pro S/D - Fuel Tyre Recommendation 3 Reduced mileage compared to Conti EcoPlus long haul pattern please consider when selecting these tyres.
- GYREC002** Goodyear FUELMAX S/D - Energy rating B or C depending on size
- GYREC003** Goodyear FUELMAX S/(O)/D - Fuel tyre Recommendation 3
- GYREC004** Goodyear FUELMAX S - Energy rating B depending on size
- HAREC001** Hankook AL10+ E-Cube Max Long Haul Tyre - Energy rating B
- HAREC002** Hankook AL10+ E-Cube Long Haul Tyre - Energy rating B with wide single
- MIREC002** Michelin XZA2/X-LINE Energy - Fuel tyre Recommendation 2

For more detailed information about cab and powertrain equipment, please refer to separate specification sheets.

For all possible options and combinations of options please consult your Volvo sales contact who can create a specification to match your requirements using the Volvo Sales Support system (VSS).

The factory reserves the right to modify design and change equipment without previous notification. The specification can vary from country to country.

MODEL RANGE

FMX13 6x2 Tractor - Tag - Rear Air Suspension FM 62 TT3HAX

- MIREC003** Michelin X-LINE Energy - Fuel tyre Recommendation 3
 - MIREC004** Michelin X Line Energy F/D2 - Energy rating A
 - PIREC001** Pirelli FH:01 Proway - Long Haul Tyre - Energy rating B
 - PIREC002** Pirelli FH:01 II Long Haul Tyre - Energy rating B with wide single

 - SPWT-D** Spare wheel & tyre with rear tyre pattern
 - SPWT-F** Spare wheel & tyre with front tyre pattern

 - SWCP-LF** Spare wheel carrier on left side of chassis ahead of rear axle
 - SWCP-RF** Spare wheel carrier on right side of chassis ahead of rear axle
 - SWCP-T** Spare wheel supplied temporarily strapped to chassis
 - SWCP-TP** Temporary spare wheel carrier on top of chassis frame

 - JACK-12T** 12 tonne bottle jack
 - JACK-15T** 15 tonne bottle jack
 - JACK-20T** 20 tonne bottle jack

 - TOOL-BAS** Basic Toolkit
 - TOOLKIT** Complete tool kit

 - INFLAHOS** Tyre inflation hose
 - GAUGE-TP** Tyre pressure gauge
- ### DRIVELINE EQUIPMENT
- ASO-C** Crawler gear -
Ratio direct top gearbox 19:1
Ratio Overdrive gearbox 17:1
 - ASO-ULC** Ultra low crawler and crawler gear -
Ratios direct top gearbox 32:1 and 19:1
Ratios Overdrive box 32:1 and 17:1
 - TRAP-HD** Reinforced gearbox application
 - TP-CON** Construction Package
 - TP-DIST** Distribution Package
 - TP-LONG** Long Haul Package
 - AMSO-AUT** Enhanced I-shift software with manual shift available in auto mode and kickdown facility on accelerator pedal
 - AVO-ENH** Enhanced software for off road driveability and starting
 - APF-ENH** I-shift enhanced PTO functions
 - RET-TH** Gearbox mounted retarder
 - RET-TPT** Hydraulic Retarder for Powertronic gearbox
 - TC-HWO** Automatic gearbox oil cooler - water to oil
 - TC-MAOH2** Extra high performance transmission oil cooler - air to oil with front mounted radiator
 - TC-MWO** Basic transmission oil cooler - water to oil
 - 2COM1100** Two cylinder, air compressor, 1100 litres per minute
 - 2COMP900** Two cylinder, air compressor, 900 litres per minute
 - CLU-AIRC** Clutchable air compressor
 - AIRIN-HI** Roof mounted air intake behind cab on left hand side
 - AIRIN-LO** Low level air intake behind cab on left hand side
 - ACL1ST-S** Two stage air filter
 - 24AL110B** 110 amp alternator
 - 24AL120B** 120 amp alternator
 - 24AL150B** 150 amp alternator
 - CCV-C** Closed crankcase engine ventilation
 - CCV-O** Open crankcase engine breather
 - CCV-OX** Closed crankcase ventilation for cold markets
 - PRIM-EL** Electrical priming pump
 - PRIM-MAN** Manual priming pump
 - FUEQ-EH** Fuel line electric heater
 - AF-R** Hot fuel recirculation heated fuel filter
 - FUEFE2LW** Large engine mounted dual fuel filter with water separator
 - FUEFE2SW** Small engine mounted dual fuel filter with water separator
 - EST-AID** Air inlet manifold starting heater element
 - 220EBH15** 220V/1.5Kw electric engine block heater

 - PTER-100** Rear engine mounted power-take-off with DIN 100 / ISO 7646 flange
 - PTER-DIN** Rear engine mounted PTO with DIN5462 (female) splined shaft for a close coupled pump.
Models with 3 steering axles will use this to drive the steering pump (AUXPSP)
 - PTER1400** Rear engine mounted power-take-off with SAE 1410 flange
 - HPE-F101** Parker F1-101, engine mounted, fixed displacement, single flow, engine mounted hydraulic pump
 - HPE-F41** Parker F1-41, engine mounted, fixed displacement, single flow, engine mounted hydraulic pump
 - HPE-F51** Parker F1-51, engine mounted, fixed displacement, single flow, engine mounted hydraulic pump
 - HPE-F61** Parker F1-61, engine mounted, fixed displacement, single flow, engine mounted hydraulic pump
 - HPE-F81** Parker F1-81, engine mounted, fixed displacement, single flow, engine mounted hydraulic pump
 - HPE-T53** Parker F2-53/53, engine mounted, Fixed displacement, Twin flow engine mounted hydraulic pump
 - HPE-T70** Parker F2-70/35, engine mounted, Fixed displacement, Twin flow engine mounted hydraulic pump
 - HPE-V45** Parker VP1-45, variable displacement, single flow, engine mounted hydraulic pump
 - HPE-V75** Parker VP1-75, variable displacement, single flow, engine mounted hydraulic pump

 - PTPT-D** Powertronic PTO, 1 front/upper DIN connection for plug-in pump (max. 850 Nm)
 - PTPT-F** Powertronic PTO, 1 front/upper rear facing SAE flange conn. for prop shaft (max.850 Nm)
 - PTR-D** Gearbox PTO for plug-in pump, 0.71xeng speed
 - PTR-DH** Gearbox driven high speed PTO for one plug-in hydraulic pump
 - PTR-DM** Gearbox driven medium speed PTO for one plug-in hydraulic pump
 - PTR-F** Gearbox driven PTO with rear flange connection
 - PTR-FH** Gearbox driven high speed PTO with SAE drive flange
 - PTR-FL** Gearbox driven low speed PTO with SAE drive flange
 - PTRD-D** Gearbox driven HIGH SPEED PTO for two plug-in hydraulic pumps
 - PTRD-D1** PTRD-D1 Gearbox driven HIGH SPEED PTO (1 SAE flange & 1 plug-in hydraulic pump)
 - PTRD-D2** Gearbox driven HIGH SPEED PTO (2 SAE flanges & 1 plug-in hyd pump)
 - PTRD-F** PTO with 1 DIN + 1 flange connection rear, manual gearbox
 - HPG-F101** Parker F1-101 gearbox mounted, fixed displacement, single flow, hydraulic pump
 - HPG-F41** Parker F1-41 gearbox mounted, fixed displacement, single flow, hydraulic pump
 - HPG-F51** Parker F1-51 gearbox mounted, fixed displacement, single flow, hydraulic pump
 - HPG-F61** Parker F1-61 gearbox mounted, fixed displacement, single flow, hydraulic pump
 - HPG-F81** Parker F1-81 gearbox mounted, fixed displacement, single flow, hydraulic pump

 - EIDLESD** Engine idle shut down
 - STWPOS-R** RIGHT HAND DRIVE
 - STWM-LE** Leather steering wheel
 - STGW-AD2** Adjustable steering wheel with neck tilt
 - STGW-ADJ** Adjustable steering wheel
 - AIRBAG** SRS Driver's air bag
 - DRC-AMII** DPF Regeneration control switch - for manual and switching off regeneration
 - 1DAYDIG2** Continental VDO DTCO 4.0 smart tachograph
This tachograph can ONLY offer remote download if the option of Dynafleet or an FMS gateway has been specified with this order.
 - 1DAYDIGP** Continental VDO DTCO 3.0 digital tachograph
For vehicles with long lead time - this includes prep kit for the retrofit of DTCO 4.0 tachograph.

Standard Equipment Optional Equipment

For more detailed information about cab and powertrain equipment, please refer to separate specification sheets.

For all possible options and combinations of options please consult your Volvo sales contact who can create a specification to match your requirements using the Volvo Sales Support system (VSS).

The factory reserves the right to modify design and change equipment without previous notification. The specification can vary from country to country.

MODEL RANGE

FMX13 6x2 Tractor - Tag - Rear Air Suspension FM 62 TT3HAX

	For updating to new legal demand for trick registration from 15th June 2019. This tachograph can ONLY offer remote download if the option of Dynafleet or an FMS gateway has been specified with this order.	<input type="checkbox"/> BULBKIT	Bulb and fuse kit
<input type="checkbox"/> ARSL	Additional road speed limit - switch in dashboard	<input type="checkbox"/> WRITEPAD	Writing pad
<input type="checkbox"/> CRUIS-E	Eco cruise control (with eco-roll and I-cruise, controls in steering wheel)	<input type="checkbox"/> UPHTRI10	Seats: Black embossed textile insert with light grey sides, black vinyl side bolster with blue vinyl side insert. Interior trim: Raven black bunk and curtains & blue textile side walls
<input checked="" type="checkbox"/> CRUISEC	Cruise control, standard	<input checked="" type="checkbox"/> UPHTRI11	Seats: Light grey embossed textile insert, black raven metallic vinyl bolster with red vinyl side insert. Interior trim: Raven black bunk and curtains & grey vinyl side walls
<input checked="" type="checkbox"/> ESP-BAS1	Electronic Stability Control	<input type="checkbox"/> UPHTRI12	Seats: Blue soft textile insert, black vinyl bolster. Interior trim: Raven black bunk and curtains & blue textile side walls
<input type="checkbox"/> ESPC-RO	ESP (Electronic Stability Program) functionality control - Reduced / Off	<input type="checkbox"/> UPHTRI13	Seats: Dark grey leather insert and black leather bolster. Interior trim: Raven black bunk and curtains & grey vinyl side walls
<input type="checkbox"/> HWSS-ACB	Adaptive cruise control ACC with forward collision warning and AEBS advanced emergency brake system	<input type="checkbox"/> UPHTRI14	Seat: Dark grey leather insert and black leather bolster. Interior trim: Raven black bunk and curtains & blue textile side walls
<input checked="" type="checkbox"/> HWSS-FCB	Forward collision warning with AEBS advanced emergency brake system	<input checked="" type="checkbox"/> DST-CF4	Driver seat, comfort, suspended, belt in seat
<input checked="" type="checkbox"/> LSS-DW	Lane departure-warning system	<input type="checkbox"/> DST-CF5	Driver seat, comfort, suspended, belt in seat, electrically heated
<input type="checkbox"/> LCS	Lane change support	<input type="checkbox"/> DST-CF6	Driver seat, comfort, suspended, belt in seat, electrically heated, ventilated
<input type="checkbox"/> DAS-W	Driver Alert Support system	<input type="checkbox"/> SBD-RED	Red seat belts
<input type="checkbox"/> RSENS-W	Rain sensing windscreen wipers	<input type="checkbox"/> SBPRE-DS	Driver seat belt pretensioner
<input type="checkbox"/> CU-ECC	Electrically controlled air conditioning with sun sensor	<input checked="" type="checkbox"/> PST-BAS1	Passenger seat - Fixed non suspended fold up with seatbelt mounted in cab
<input type="checkbox"/> CU-ECC2	Electrically controlled air conditioning with sun sensor, mist sensor, air quality sensor and carbon filter	<input type="checkbox"/> PST-BENC	Bench passenger seat
<input checked="" type="checkbox"/> CU-MCC	Climate unit with manual controlled air conditioning	<input type="checkbox"/> PST-CF4	Passenger seat - Comfort suspended with seatbelt mounted in seat
<input checked="" type="checkbox"/> IMMOBIL	Thatcham H2 approved immobiliser	<input type="checkbox"/> PST-CF5	Passenger seat - Comfort suspended & heated with seatbelt mounted in seat
<input type="checkbox"/> ALARM-B	Thatcham H1 approved vehicle alarm - Cab only	<input type="checkbox"/> PST-STD2	Passenger seat - Fixed non suspended with seatbelt mounted in cab
<input type="checkbox"/> ALARM-E	Enhanced vehicle alarm - Thatcham H1 approved - Cab plus external sensor for body/trailer	<input type="checkbox"/> PST-STD4	Passenger seat - Standard suspended with seatbelt mounted in cab
<input type="checkbox"/> ALCOLOCK	Alcolock	<input type="checkbox"/> SBPRE-PS	Passenger seat belt pretensioner
<input type="checkbox"/> BUPMON	Back up monitor with built in 7" screen on dash and one colour camera supplied loose for fitment by bodybuilder. Can accommodate up to 4 cameras for TfL Safe Scheme, CLOCS and FORS.	<input type="checkbox"/> ARM-DBPS	Two armrests on driver seat and one (outer) on passenger seat
<input type="checkbox"/> PHONE-PK	Telephone preparation kit (antenna, antenna attachm. cable incl.)	<input type="checkbox"/> ARMRE-BB	Two armrests on both driver and passenger seat.
<input type="checkbox"/> WLIFT-AD	Electrical window lift, automatic up/down driver side	<input type="checkbox"/> ARMRE-DB	Two armrests, on driver seat only
<input checked="" type="checkbox"/> WLIFT-EB	Electrical window lift	<input type="checkbox"/> ARMRE-PB	Two armrests, on passenger seat only
<input type="checkbox"/> WLIFT-ME	Mechanical window lift	<input type="checkbox"/> ARMRE-PS	Single armrest (next to driver) on passenger seat
<input type="checkbox"/> ISUNS-BS	Side interior sun visor on both sides	<input type="checkbox"/> ARU-BAS	Vinyl upholstered armrest
<input checked="" type="checkbox"/> ISUNS-DS	Driver's side interior sun visor	<input type="checkbox"/> ARU-LEA	Leather upholstered armrest
<input checked="" type="checkbox"/> ISUNF-B	Interior front sun visor without mirror	<input checked="" type="checkbox"/> FMAT-RU2	Rubber floor mats, extended
<input type="checkbox"/> ISUNF-MD	Interior front sun visor with mirror on driver side	<input type="checkbox"/> FMAT-RUB	Rubber floor mats
<input type="checkbox"/> ISUNF-RE	Electrically operated textile interior sun blind	<input type="checkbox"/> FMAT-T2E	
<input type="checkbox"/> ISUNF-RM	Manually operated textile interior sun blind	<input type="checkbox"/> FMAT-TX2	Textile and rubber floor mats
<input type="checkbox"/> ADFS	Two extra DIN slots in front shelf - can be fitted with card or drawer available as an accessory	<input type="checkbox"/> LBK-RES	Foldable rest bunk
<input checked="" type="checkbox"/> BUPALARM	Reverse alarm	<input checked="" type="checkbox"/> LBK70	Lower bunk 700 x2000 mm, fixed
<input type="checkbox"/> RTOLL-PK	Road toll PREPARATION kit for trucks operating with "Toll Collect" in Germany	<input type="checkbox"/> ULBK	Without lower bunk
<input type="checkbox"/> LOADIND	Load indicator with central dashboard display	<input type="checkbox"/> MATL-FI	Firm lower bunk pocket sprung mattress
<input type="checkbox"/> REMC-MF	Multi-functio wireless remote control	<input checked="" type="checkbox"/> MATL-SF	Lower flexizone mattress - semi-firm, pocket springs up to 100kg - 16 stone
<input type="checkbox"/> FIREXT3S	3kg fire extinguisher mounted on seat base	<input type="checkbox"/> MATL-SO	Lower flexizone mattress - soft, pocket springs up to 85kg - 13.5 stone
<input type="checkbox"/> WARNVEST	High visibility warning vest - no sleeves	<input type="checkbox"/> OLMAT-BA	35mm mattress overlay protector
<input type="checkbox"/> AIDKIT	First aid kit	<input type="checkbox"/> OLMAT-PR	50mm premium mattress overlay protector
<input type="checkbox"/> AIDKIT1B	First aid kit	<input type="checkbox"/> TBK60F	Fixed foldable top bunk 600 x 1900mm
<input type="checkbox"/> WARNLAMP	Portable warning lamp	<input type="checkbox"/> TBK70F	Fixed foldable top bunk 700 x 1900mm
<input type="checkbox"/> LAMP-IN	Inspection lamp	<input type="checkbox"/> PH-CAB2	1.8kW Air to air night heater
		<input type="checkbox"/> PH-ENGCA	Engine and cab night heater
		<input type="checkbox"/> PH-SS	Short stop heater
		<input type="checkbox"/> SLCP-BAS	Basic sleeper control panel - includes interior light, parking

Standard Equipment

Optional Equipment

For more detailed information about cab and powertrain equipment, please refer to separate specification sheets.

For all possible options and combinations of options please consult your Volvo sales contact who can create a specification to match your requirements using the Volvo Sales Support system (VSS).

The factory reserves the right to modify design and change equipment without previous notification. The specification can vary from country to country.

MODEL RANGE

FMX13 6x2 Tractor - Tag - Rear Air Suspension FM 62 TT3HAX

	heater, roof hatch and door lock		
<input type="checkbox"/> SAFE	Safe box for driver's personal items	<input type="checkbox"/> MIRCOMFX	Electrically heated and operated -FMX- main and wide-angle mirrors with manually adjusted passenger kerb mirror, to increase direct vision to the side the main mirrors have no cowlings
<input type="checkbox"/> ETSB-F	Storage on engine tunnel - on front top	<input checked="" type="checkbox"/> MIRSTDX	Electrically heated -FMX- main and wide-angle mirrors with manually adjusted passenger kerb mirror, to increase direct vision to the side the main mirrors have no cowlings
<input type="checkbox"/> ETSB-FR	Storage on engine tunnel - on front top and at rear cab wall	<input checked="" type="checkbox"/> AMIR-F20	Auxiliary front view mirror with a 200mm radius
<input type="checkbox"/> ETSB-FRS	Storage on engine tunnel - on front top & at rear cab wall & storage recessed into tunnel on right hand side	<input type="checkbox"/> SUNV-H	External smoke grey sunvisor
<input type="checkbox"/> ETSB-FS	Storage on engine tunnel - on front top and storage recessed into tunnel on right hand side	<input type="checkbox"/> AD-ROOF	Roof air deflector
<input type="checkbox"/> ETSB-R	Storage on engine tunnel - box at rear cab wall	<input type="checkbox"/> AD-SIDEL	Side air deflector extension panels
<input type="checkbox"/> ETSB-RS	Storage on engine tunnel - at rear cab wall and storage recessed into tunnel on right hand side	<input type="checkbox"/> AD-SIDES	Short cab side air deflector for rigid bodywork
<input type="checkbox"/> ETSB-S	Storage on engine tunnel - recessed into tunnel on right hand side	<input type="checkbox"/> AD-CHASX	Chassis side skirts
<input type="checkbox"/> RUS-BAS	Rear cab upper storage 154 litres - 300 mm high	<input type="checkbox"/> ADCF-F	Additional black edging on chassis side skirt
<input type="checkbox"/> RUS-HIG	Rear cab upper storage 245 litres - 440 mm high	<input checked="" type="checkbox"/> HL-BAS2	Halogen H1 head lamps
<input type="checkbox"/> TABLE	Folding and height adjustable table - on lower bunk	<input type="checkbox"/> HL-BASIC	Halogen H7 head lamps
<input type="checkbox"/> REF-ICPK	Fridge: engine tunnel mounted preparation kit	<input type="checkbox"/> HL-BHID2	Dynamic high intensity Bi-Xenon head lamps These follow the steering movement and direction of the truck
<input type="checkbox"/> REFR-RUS	Fridge: 28 litre rear upper wall mounted with dividers	<input type="checkbox"/> HL-CLEAN	Head lamp cleaner - washer jets
<input type="checkbox"/> MICRO-PK	Preparation kit for microwave oven (wiring)	<input type="checkbox"/> HLP-ST	Headlamp protection
<input type="checkbox"/> BOTH-D	One bottle holder under dashboard centre section	<input type="checkbox"/> HL-ADJ	Headlight adjustment - Switch in cab
<input type="checkbox"/> COFMA-PK	Coffee maker, preparation kit.	<input checked="" type="checkbox"/> UDRIVL	Without auxiliary driving lights
<input checked="" type="checkbox"/> INLI-BAS	Interior white LED lights - basic	<input type="checkbox"/> ASL-RF2	Two Hella H11 70W spotlamps in sign box - only available with the basic headlight and no lower driving lights.
<input type="checkbox"/> INLI-NL	Interior white and red night LED light with no dimmer	<input type="checkbox"/> ASL-RFPK	Preparation kit for two spotlamps in sign box
<input type="checkbox"/> INLI-NLD	Interior white and red night LED light with dimmer	<input type="checkbox"/> BEACOA2F	Two front roof mounted amber beacon rotating warning lamps
<input type="checkbox"/> ARL-FLEX	Two flexible reading lamps (snake lamps)	<input type="checkbox"/> BEACOA2R	Two rear roof mounted (on accessory bracket) amber beacon flashing warning LED lamps
<input type="checkbox"/> RH-EE	Without roof hatch -Tinted glass emergency exit ONLY	<input type="checkbox"/> BEACON-P	Roof beacon wire preparation
<input type="checkbox"/> RH-ETR	Glass roof & escape hatch - Electrically operated, tinted glass with rear opening	<input type="checkbox"/> BEACONA4	Four roof mounted (2 front/2 rear) amber beacon rotating warning lamps
<input type="checkbox"/> RH-MSR	Steel roof & escape hatch - Manually operated with rear opening	<input type="checkbox"/> CABPT-R1	Single outlet for roof mounted accessories
<input type="checkbox"/> RH-MTR	Glass roof & escape hatch - Manually operated, tinted glass with rear opening	<input checked="" type="checkbox"/> CABPT-R2	Twin outlets for roof mounted accessories.
<input checked="" type="checkbox"/> URH	Without roof hatch	<input type="checkbox"/> SPOTP-F	Spotlamp preparation in front, max 280W
<input type="checkbox"/> SWIND-BS	Extra side window on both sides behind "B" pillar	<input type="checkbox"/> SPOTP-R	Spotlamp preparation on roof, max 280W
<input type="checkbox"/> SWIND-PS	Rear side window, passenger side	<input type="checkbox"/> SPOTP-RF	Spotlamp preparation on cab roof and in cab front, max 2x280W
<input type="checkbox"/> VANMIR	Vanity mirror in front shelf	<input type="checkbox"/> ROS-IL2	Preparation kit for illuminated roof sign with switch loose in cab, fit after registration
<input type="checkbox"/> AS-FUS	Extra shelf in front upper storage compartments	<input type="checkbox"/> CSGN-FMX	"Volvo FMX" headboard logo
<input type="checkbox"/> INFOT-PK	Preparation kit for the mounting of a flat screen TV in cab above the driver's door, includes bracket, electrical and speaker connections	<input checked="" type="checkbox"/> HORN-F1S	Single tone Jericho air horn chassis mounted
		<input type="checkbox"/> HORN-R2S	Two roof mounted air horns
CAB EXTERIOR		<input type="checkbox"/> ANT-CBR	Roof mounted antenna for CB radio, single aerial
<input checked="" type="checkbox"/> PAICS-B	Basic cab paint - mirrors, sunvisor, instep and bumper supplied in natural finish - grey	<input type="checkbox"/> ACCBP-AP	Front, middle & rear roof mounted accessory brackets
<input checked="" type="checkbox"/> GLAS-TIN	Tinted windows.	<input type="checkbox"/> ACCBP-F	Front roof mounted accessory bracket
<input type="checkbox"/> AWIND-RF	Rear window	<input type="checkbox"/> ACCBP-FM	Front & middle roof mounted accessory brackets
<input type="checkbox"/> DGLAS-L	Laminated door glass	<input type="checkbox"/> ACCBP-FR	Front & rear roof mounted accessory brackets
<input checked="" type="checkbox"/> LOCK-MAN	Manual door locking	<input type="checkbox"/> ACCBP-M	Middle roof mounted accessory bracket
<input type="checkbox"/> LOCK-MRP	Manual door locking with internal remote control (from driver side) of passenger door	<input type="checkbox"/> ACCBP-R	Rear roof mounted accessory bracket
<input type="checkbox"/> LOCK-REM	Central locking with remote control	<input type="checkbox"/> ACCBP-RM	Rear & middle roof mounted accessory brackets
<input checked="" type="checkbox"/> BUMP-HD	Heavy duty front bumper	<input type="checkbox"/> RFCAR-BC	Rear mudwing carrier, back of cab
<input type="checkbox"/> GUARD-EH	Engine guard to protect sump and engine hoses	<input type="checkbox"/> LADDER	Ladder back of cab
<input checked="" type="checkbox"/> BUGNET	Insect screen in front of radiator	<input type="checkbox"/> REFS-TW	White cab conspicuity markings by packed in cab
<input type="checkbox"/> CTILT-P-E	Electrically operated hydraulic cab tilt	<input type="checkbox"/> REFS-TY	Yellow cab conspicuity markings by packed in cab
<input checked="" type="checkbox"/> CTILT-P-M	Manually operated hydraulic cab tilt	SUPERSTRUCTURE PREPARATIONS	
<input type="checkbox"/> FCABS-A	Front cab suspension - Air	<input type="checkbox"/> 5WM-ASM	50mm high 'L' profiles for air actuated sliding 5th wheel
<input checked="" type="checkbox"/> FCABS-M	Front cab suspension - Mechanical spring	<input checked="" type="checkbox"/> 5WM-ISOM	5th wheel subframe 60mm high above chassis frame L profiles 50mm with 10mm thick plate
<input type="checkbox"/> RCABS-A	Rear cab suspension - Air	<input type="checkbox"/> 5WM-LPRO	5th wheel attached direct to frame with inverted 'L'-profiles
<input checked="" type="checkbox"/> RCABS-M	Rear cab suspension - Mechanical spring	<input type="checkbox"/> 5WM-MASM	50mm high 'L' profiles for manual sliding fifth wheel

Standard Equipment

Optional Equipment

For more detailed information about cab and powertrain equipment, please refer to separate specification sheets.

For all possible options and combinations of options please consult your Volvo sales contact who can create a specification to match your requirements using the Volvo Sales Support system (VSS).

The factory reserves the right to modify design and change equipment without previous notification. The specification can vary from country to country.

MODEL RANGE

FMX13 6x2 Tractor - Tag - Rear Air Suspension FM 62 TT3HAX

- 5WH150** Fifth wheel leg-height 150 mm
- 5WH175** Fifth wheel leg height 175mm
- 5WH185** Fifth wheel leg-height 185 mm
- 5WH195** Fifth wheel leg-height 195mm
- 5WH200** Fifth wheel leg-height 200 mm
- 5WH205** Fifth wheel leg-height 205 mm
- 5WH210** Fifth wheel leg-height 210 mm
- 5WH220** Fifth wheel leg-height 220mm
- 5WH230** Fifth wheel leg-height 230 mm
- 5WT-FO14** Fontaine 150SP2 pressed steel fifth wheel
- 5WT-FO15** Fontaine 3000 lightweight cast fifth wheel with 150SF air operated slider - for moderate duty off road. Specified fifth wheel position always gives rearmost position.
- 5WT-JO10** Jost JSK 36 pressed fifth wheel
- 5WT-JO8** Jost JSK 37 cast fifth wheel
- 5WT-JO9** Jost JSK 42 cast fixed fifth wheel
- 5WT-SH** SAF-Holland/+GF+ SK-S 36.20 cast fixed fifth wheel
- 5WLM-B** Basic fifth wheel maintenance standard top plate
- 5WLM-L** Low maintenance fifthwheel with nylon top plate
- 5WL-S1** Fifth wheel lubrication - locking mechanism and top plate
- 5WL-S2** Fifth wheel lubrication - locking mechanism
- TCIND** Trailer connection indication with sensors for height, kingpin and coupling lock
- RDECK** Catwalk & step
- RDECK-M** Rear catwalk 760mm
- SRWL-PK** Wiring preparation for side & rear work/reverse lamps on side of chassis and a three-position switch, maximum 280W
- SWL-2RA** Two H3 35W amber rear chassis mounted (LH/RH side) working lamps and a 2-position switch (On/Off)
- SWL-2RW** Two H3 70W white rear chassis mounted (LH/RH side) working lamps and a 2-position switch (On/Off)
- SWL-PK** Wiring preparation for side work/reverse lamps on side of chassis and a three-position switch, maximum 280W
- WL-TA1W** White coupling light
- WLC-H2A** Two H3/70W working lamps with amber coloured lens high mounted back of cab
- WLC-H2W** Two H3/70W white working lamps high mounted on the back of cab
- WLC-PKH** Preparation kit, cables and switch for high mounted working lamps back of cab
- WLC-PKL** Preparation kit, cables and switch for low mounted working lamps back of cab
- WLC-PKLH** Preparation kit - cables and switch for low and high mounted working lamps back of cab.
- ECBB-BAS** Body builder electrical centre without body builder module
- ECBB-HIG** Body builder electrical centre with body builder module
- BBCHAS1** One 7-pole connector for Body builder interface
- BBCHAS3** Three 7-pole connectors for Body builder interface
- BEPR-T2** Body builder electrical software preparation for tipper with remote control
- EXSTER** External steering control, with VDS and bodybuilder module
- TD-BAS** Trailer detection WITHOUT LED sensing
- TD-LED** Trailer detection with LED sensing
- AUXL-SPK** Electrical preparation kit - wiring and switch for snow plough lights
- TAILPRE2** Tail lift preparation kit, wireless remote operation
- TAILPREP** Taillift preparation kit - cab switch and warning in driver display
- AESW2** Two Body builder bistable electrical switches (marked AUX1 / AUX2)
- AESW2PK** 2 Body builder bistable el.switches (marked AUX1/AUX2) and prep. for 4 more switches
- AUXSW-4** Wiring for 4 extra switches (from Body builder electrical centre to switch positions)
- TGW-4GWL** GSM/GPRS/4G modem, LTE & WLAN for telematics gateway
- FMS-PK** Fleet Management System gateway

DELIVERY SERVICES

VOLVO

Volvo Truck Corporation
volvotrucks.com