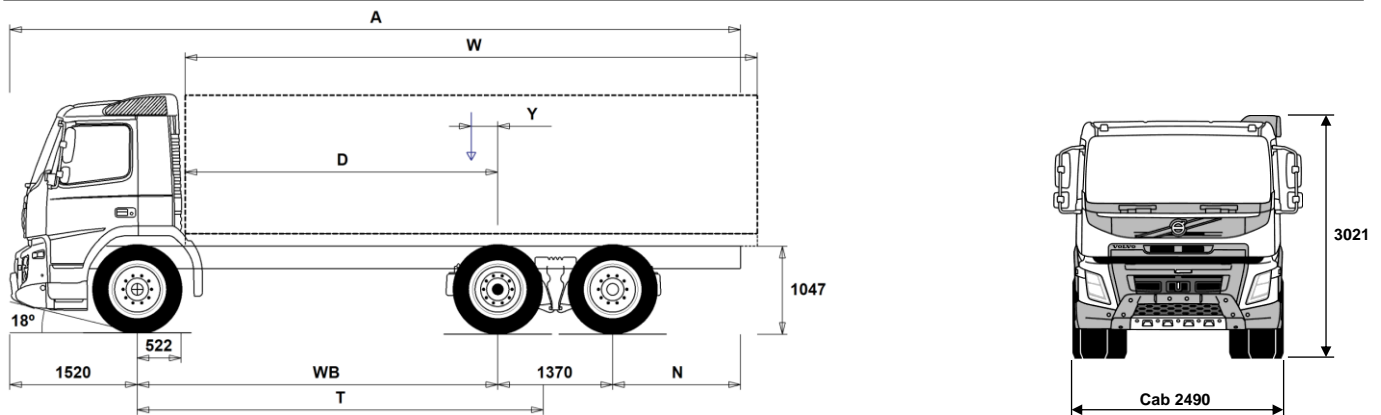


MODEL RANGE



Volvo Trucks. Driving Progress

FMX D11 62 Rigid tag rear air FM 62 TR1HAX



Chassis Dimensions [mm]

WB Wheelbase	3500	3700	3900	4300	4600	4800	4900	5200	5600	6000
A Overall Chassis Length	8315	8615	8915	9565	10015	10315	10465	10965	11065	10915
D Center of rear axle to front of body	2928	3128	3328	3728	4028	4228	4328	4628	5028	5428
N Rear Overhang (Min.)	1225	1225	1225	1225	1225	1225	1225	1225	1225	1225
N Rear Overhang (Max.)	1925	2025	2125	2375	2525	2625	2675	2875	2575	2025
T Theoretical Wheelbase	4041	4241	4441	4841	5141	5341	5441	5741	6141	6541
Y Center of Gravity for Payload (Min.)	42	71	101	158	197	226	241	284	331	374
Y Center of Gravity for Payload (Max.)	42	71	101	158	197	226	241	284	331	374
W Body Length (Min.)	5794	6136	6478	7162	7685	8027	8197	8711	9417	9908
W Body Length (Max.)	5794	6136	6478	7162	7685	8027	8197	8711	9417	9908

Chassis Weights [kg]

Front Axle	4440	4440	4440	4445	4475	4475	4475	4475	4510	4550
Rear Bogie	2865	2885	2910	2975	3040	3060	3075	3115	3105	3070
Kerb Weight	7305	7325	7350	7420	7515	7535	7550	7590	7615	7620
Payload (including body, driver, fuel, etc.)	18795	18775	18750	18680	18585	18565	18550	18510	18485	18480

Turning Diameter [mm]

Turning Circle Diameter Kerb to Kerb	14400	15000	15600	16800	17800	18400	18700	19600	20800	22000
Turning Circle Diameter Wall to Wall	15900	16500	17100	18300	19300	19900	20200	21100	22300	23500

Plated Weights [kg]

Gross Vehicle Weight	26100
Gross Combination Weight	44000
Front Axle	7100
Rear Bogie	19000

Design

Important Notes

Chassis Dimensions

Cab Height: +416 mm for CAB-HSLP, +554 mm for CAB-XHSL.
Front Axle to Back of Cab: +424 mm for CAB-HSLP and CAB-SLP and CAB-XHSL.

D-measure includes a front clearance of 50 mm and for rigid trucks also a subframe of 100 mm.

Height can vary ± 20 mm for leaf and ± 10 mm for air suspension.

All dimensions are for unladen chassis and any tag axles down. Chassis height used: CHH-HIGH.

Rear overhang used for vehicle weight calculation is the maximum rear overhang (N Max.) for selected wheelbase.

Height change when chassis height CHH-MED, FRAME266: 0 mm.

Weight and dimensions are based upon the following tyres:

Front Axle Tyres:	315/80R22.5
Drive Axle Tyres:	315/80R22.5
Trailing/Pusher Axle Tyres:	315/80R22.5

Chassis weight includes oil, water, AdBlue, 0 litres fuel and without driver. Kerb weight can vary $\pm 3\%$.

Turning diameters are theoretically calculated. Tag axle used: TA-FIXED.

Legal weights can differ from country to country.

For more detailed weight information, including optional equipment weights, ask your Volvo sales contact to enter your specification into the Volvo Weight Information system (WIS).

Do NOT use this drawing for bodybuilding. Refer to Volvo Bodybuilder Instructions and chassis assembly drawing FM62TR1HAX.

MODEL RANGE

FMX D11 62 Rigid tag rear air FM 62 TR1HAX

Transport operation

- RC-ROUGH** Rough road conditions.
 - Less than 95% of the driven distance on well maintained or less maintained surfaced roads. and / or
 - In total not more than 5% of the driven distance on:
 - Very badly maintained surfaced roads.
 - Hard packed sand or gravel surface of very bad quality.
 - Washboards.
 - Soft unpaved surface.
 - Off-road.
- RC-SMOOT** Smooth road conditions. At least 95% of the driven distance on well maintained or less maintained surfaced roads. Driving occurs on:
 - Badly maintained surfaced roads.
 - Hard packed sand or gravel surface of good or bad quality.
- GARB-PRE** Garbage preparation
- SWAPBODY** Swap body vehicle preparation
- TIPP-PRE** Tipper vehicle preparation
- UNIFORM** Basic platform vehicle

Core components

- CHH-HIGH** Chassis height high - approx. 1000 mm above ground level
- CHH-MED** Chassis height medium - approx. 900 mm above ground level
- TA-HYSBS** El. hydraulically steered tag axle with single wheels (two wheels on complete axle) and steering lock out at 38 km/h
- TAG-FIXD** Fixed tag axle with twin wheels (4 wheels on complete axle)
- TAG-FIXS** Fixed tag axle with single wheels (two wheels on complete axle)
- TAG-SSTE** Self steered tag axle with single wheels (two wheels on complete axle)
- RADT-GR** Rear air suspension, 2 axles - 1 driven / 1 tag
- FMX-DAY** FMX Day cab
- FMX-HSLP** FMX Globetrotter sleeper cab
- FMX-SLP** FMX Sleeper cab
- EU6SCR** Euro 6 emission level with Selective Catalytic Reduction (SCR), particulate filter and Exhaust Gas Recirculation (EGR)
- D11K330** Diesel engine, 10.8 litre Euro 6 SCR + EGR (Diesel particulate filter), 330 hp, 1600 Nm
- D11K380** Diesel engine, 10.8 litre Euro 6 SCR + EGR (Diesel particulate filter), 380 hp, 1800 Nm
- D11K430** Diesel engine, 10.8 litre Euro 6 SCR + EGR (Diesel Particulate Filter), 430 hp, 2050 Nm
- D11K460** Diesel engine, 10.8 litre Euro 6 SCR + EGR (Diesel Particulate Filter), 460 hp, 2200 Nm
- DIESEL** Diesel fuel
- DIESEL-B** Biodiesel
- EBR-EPG** Engine brake with exhaust pressure governor, EPG
- EBR-EPGC** Volvo engine compression brake with exhaust pressure governor, EPG (for I-shift)
- EBR-VEB** Volvo Engine Brake, VEB (compression brake with exhaust pressure governor, EPG)
- AT2412F** I-Shift automated mechanical 12-speed gearbox without clutch pedal, max. engine torque 2400 Nm, max. permitted GCW 44000 kg.
- AT2612F** I-Shift automated mechanical 12-speed gearbox without clutch pedal, max. engine torque 2600 Nm, max. permitted GCW 100000 kg.
- ATO2612F** I-Shift automated mechanical 12-speed overdrive gearbox without clutch, max. engine torque 2600 Nm, max. permitted GCW 100000 kg. Suitable for hub reduction rear axles.
- PT2106** Powertronic automatic 6-speed gearbox, max. engine torque 2100 Nm, max. permitted GCW 100000 kg
- RS1370F** Rear hub reduction solo axle - axle load 13 tonnes, GCW 70 tonnes, version F
- RSS1344C** Rear single reduction solo axle - axle load 13 tonnes, GCW 44 tonnes, version C

Standard Equipment

Optional Equipment

For more detailed information about cab and powertrain equipment, please refer to separate specification sheets.

For all possible options and combinations of options please consult your Volvo sales contact who can create a specification to match your requirements using the Volvo Sales Support system (VSS).

The factory reserves the right to modify design and change equipment without previous notification. The specification can vary from country to country.

- RSS1344E** Rear single reduction solo axle - axle load 13 tonnes, GCW 44 tonnes, version E
- RSS1352A** Rear single reduction solo axle - axle load 13 tonnes, GCW 52 tonnes, version A
- RSS1356** Rear single reduction solo axle - axle load 13 tonnes, GCW 56 tonnes
- RSS1370A** Rear single reduction solo axle - axle load 13 tonnes, GCW 70 tonnes, version A
- RSS1370B** Rear single reduction solo axle - axle load 13 tonnes, GCW 70 tonnes, version B

Packages

- EDITION** Exterior Striping/Emblem. Model specific design on FH,FM,FH16 and FMX
- DRIVEFM** Driving package FM
- DRIVEFM+** Driving plus package FM
- BEDFM** Bed resting package FM
- AUDBAS** Audio basic. RDS radio with CD player, FM/AM antenna and speakers in dashboard & doors. Prepared for Dynafleet office internet portal support. High power audio system. RDS radio with CD player (also playing mp3/wma/wav files from CD), FM/AM antenna, speakers in dashboard & doors & sleeping compartment, integrated bluetooth phone and USB/Line inputs. Prepared for Dynafleet office internet portal support.
- AUDHIG** High power audio system. RDS radio with CD player (also playing mp3/wma/wav files from CD), FM/AM antenna, speakers in dashboard & doors & sleeping compartment, integrated bluetooth phone and USB/Line inputs. Prepared for Dynafleet office internet portal support.
- MEDIADF** Media package with infotainment. Prepared for both Dynafleet vehicle onboard support and for Dynafleet office internet portal support.
- MEDIAADF** Media package with infotainment and Navigation support and prepared for Dynafleet vehicle onboard support and for Dynafleet office internet portal support.
- VISIX15** Visibility package FMX
- ASAF15** Active safety package
- ENOPT** Energy optimization package
- ENOPT+** Energy optimization+ package
- OFFRFMXD** Construction package for FMX day cab
- OFFRFMXS** Construction package for FMX sleeper cabs
- RCHAPAC1** Rigid chassis package

Chassis

- FST-AIR** Front air suspension
- FST-PAR** 2 leaf front parabolic suspension (normal stiffness)
- FST-PAR3** 3 leaf front parabolic suspension (stiffer than normal)
- FSL-S-BAS** Front air suspension basic levelling stroke
- FSL-S-HI** Front air suspension high levelling stroke
- FAL10.0** Front axle load 10.0 tonnes
- FAL7.1** Front axle load 7.1 tonnes
- FAL7.5** Front axle load 7.5 tonnes
- FAL8.0** Front axle load 8.0 tonnes
- FAL8.5** Front axle load 8.5 tonnes
- FAL9.0** Front axle load 9.0 tonnes
- FSTAB** Front stabilizer with normal stiffness
- FSTAB2** Front stabilizer with medium high stiffness
- FSTAB3** Front stiff stabilizer
- RAL19** Rear axles load 19 tonnes
- RAL20.5** Rear axles load 20.5 tonnes
- RAL22.5** Rear axles load 22.5 tonnes
- RAL23** Rear axles load 23 tonnes
- RSTAB2** Rear stabilizer with medium stiffness
- RSTAB3** Rear stiff stabilizer
- RALIM105** First rear drive axle load limiter, 10.5 tonnes (speed controlled)
- RALIM115** First rear drive axle load limiter, 11.5 tonnes (speed controlled)
- RALIM95** First rear drive axle load limiter, 9.5 tonnes
- ASF-DL1** Air suspension with 1 driving level
- ASF-DL3** Air suspension with 3 driving levels
- ACTST-TO** Volvo Dynamic Steering (VDS) with extra pump and torque

MODEL RANGE

FMX D11 62 Rigid tag rear air FM 62 TR1HAX

	overlay		
<input type="checkbox"/>	ASFE-BAS	Volvo Dynamic Steering feature basic	<input type="checkbox"/>
<input type="checkbox"/>	ASFE-PS	Volvo Dynamic Steering personal settings	<input type="checkbox"/>
<input checked="" type="checkbox"/>	PSS-SING	Single power steering system	<input type="checkbox"/>
<input checked="" type="checkbox"/>	PSP-FIX	Power steering pump with fixed displacement	<input type="checkbox"/>
<input type="checkbox"/>	PSP-VAR	Power steering pump with variable displacement	<input type="checkbox"/>
<input checked="" type="checkbox"/>	EBS-MED	EBS (Electronic Brake System) medium package: - ABS (Anti-lock Braking System) - Lining Wear Sensing (20 % left) - Lining Wear Control (incl. wear on the axle) - Brake Blending - Drag Torque Control - Diff Lock Synchronization - Diff lock Control - Brake Temperature Warning - External Brake Demand - Diagnosis Via Truck Electronic System - Traction Control System - Emergency Brake Assistance - Constant Wheel Brake Monitoring - Coupling Force Control - Automatic Parking Brake Activation - Lining Wear Analyses (calc of remaining mileage) - Hill Starting Assistance - EBS status monitoring via Truck Electronic System	<input type="checkbox"/>
<input checked="" type="checkbox"/>	RST-AIR	Rear air suspension	<input type="checkbox"/>
<input type="checkbox"/>	RST-AIR4	Rear air suspension with increased stiffness	<input type="checkbox"/>
<input checked="" type="checkbox"/>	FBREG-E	Front axle regulating brake valve for EBS	<input type="checkbox"/>
<input checked="" type="checkbox"/>	SUSPL-EC	Air suspension levelling with electronic control	<input type="checkbox"/>
<input checked="" type="checkbox"/>	FRAME266	Frame rail section external height 266 mm	<input type="checkbox"/>
<input type="checkbox"/>	FRAME300	Frame rail section external height 300 mm	<input type="checkbox"/>
<input type="checkbox"/>	FST7070	Frame section thickness - web 7.0 mm / flange 7.0 mm	<input type="checkbox"/>
<input checked="" type="checkbox"/>	FST8080	Frame section thickness - web 8.0 mm / flange 8.0 mm	<input type="checkbox"/>
<input type="checkbox"/>	FIL-EEEB	Frame inner liner from end of engine end to end of bogie	<input type="checkbox"/>
<input type="checkbox"/>	FIL-EEEF	Frame inner liner from end of engine end to end of frame	<input type="checkbox"/>
<input type="checkbox"/>	FIL-TXEB	Frame inner liner from transmission cross member to end of bogie	<input type="checkbox"/>
<input type="checkbox"/>	FIL-TXEF	Frame inner liner from transmission cross member to end of frame	<input type="checkbox"/>
<input checked="" type="checkbox"/>	BBOX-L	Battery box on left hand side	<input type="checkbox"/>
<input type="checkbox"/>	2BAT210B	Gel batteries 2x210 Ah	<input type="checkbox"/>
<input checked="" type="checkbox"/>	2BATT170	Batteries 2x170 Ah	<input type="checkbox"/>
<input type="checkbox"/>	2BATT225	Batteries 2x225 Ah	<input type="checkbox"/>
<input checked="" type="checkbox"/>	BATTAMP	Battery voltage and ampere gauge	<input type="checkbox"/>
<input type="checkbox"/>	BATTIND	Battery voltage, ampere and battery status gauge with visual alerts	<input type="checkbox"/>
<input type="checkbox"/>	ADR2	ADR adaptation - transportation of dangerous goods, 2 switches (1 inside cab in dashboard, 1 outside on cab back passenger side).	<input type="checkbox"/>
<input type="checkbox"/>	MSWI-A	ADR main switch - ADR switch circuit shut down	<input type="checkbox"/>
<input checked="" type="checkbox"/>	MSWI-C	Chassis main switch - battery box placed toggle switch circuit shut down	<input type="checkbox"/>
<input type="checkbox"/>	MSWI-R	Remote controlled main switch - key fob operated circuit shut down	<input type="checkbox"/>
<input checked="" type="checkbox"/>	R330A71	Right 330 litre aluminium 710 mm high D-shaped diesel tank. Usable volume is 97% of stated volume. Min volume 255l Max volume 885l	<input type="checkbox"/>
<input checked="" type="checkbox"/>	UL-FUEL	Without left diesel tank Min volume 160l Max volume 730l	<input type="checkbox"/>
<input type="checkbox"/>	ADTP-L	AdBlue tank on left hand side (for dual front axles between the axles)	<input type="checkbox"/>
<input checked="" type="checkbox"/>	ADTP-R	AdBlue tank on right hand side	<input type="checkbox"/>
<input type="checkbox"/>	ADB048	AdBlue tank usable volume 48 litres	<input type="checkbox"/>
<input checked="" type="checkbox"/>	ADB064	AdBlue tank usable volume 64 litres	<input type="checkbox"/>
<input type="checkbox"/>	ADB068	AdBlue tank usable volume 68 litres	<input type="checkbox"/>
<input type="checkbox"/>	ADB090	AdBlue tank usable volume 90 litres	<input type="checkbox"/>
<input type="checkbox"/>	ADB100	AdBlue tank usable volume 100 litres	<input type="checkbox"/>
<input type="checkbox"/>	ADTC-BF	AdBlue tank cover painted in silver metallic	<input type="checkbox"/>
<input checked="" type="checkbox"/>	FCAP-L	Lockable diesel and AdBlue tank caps	<input type="checkbox"/>
<input checked="" type="checkbox"/>	FUFF-AS	Fuel filling anti-spillage device	<input type="checkbox"/>
<input type="checkbox"/>	FUFF-ATS	Fuel filling anti-theft and anti-spillage devices	<input type="checkbox"/>
<input type="checkbox"/>	ESH-LEFT	Horizontal muffler, left exhaust outlet	<input type="checkbox"/>
<input checked="" type="checkbox"/>	ESH-REAR	Horizontal muffler, rear exhaust outlet	<input type="checkbox"/>
<input type="checkbox"/>	ESH-VERT	Horizontal muffler, vertical exhaust outlet on right hand side	<input type="checkbox"/>
<input type="checkbox"/>	ESV-VERT	Vertical muffler, vertical exhaust outlet on right hand side	<input type="checkbox"/>
<input type="checkbox"/>	EXST-SSP	Bright polished vertical stainless steel exhaust top pipe	<input type="checkbox"/>
<input type="checkbox"/>	EXST-ST	Aluminized steel vertical exhaust top pipe	<input type="checkbox"/>
<input type="checkbox"/>	HS-NAR	Narrow Euro 6 muffler heat shield. Partly (due to heat release) reduced distance (moved inwards) to silencer. Makes better space for e.g. support legs.	<input type="checkbox"/>
<input type="checkbox"/>	WHC-FIX2	Two fixed wheel chocks	<input type="checkbox"/>
<input checked="" type="checkbox"/>	WHC-FOL2	2 foldable wheel chocks	<input type="checkbox"/>
<input type="checkbox"/>	WHCP-F	Wheel chock(s) in the front part of the vehicle. - TRACTOR, BBOX-L, Fold, 1/2 w chocks = Top of left side battery box - TRACTOR, BBOX-EF, Fold, 1/2 w chocks = Top of lefts side fuel tank - TRACTOR, BBOX-EF, Fix, 2 w chocks = Left frame front of fuel tank - RIGID, 1 front axle, Fold, 1/2 w chocks = Top of left side battery box - RIGID, 2 front axles, Fold, Frame free space, 2 wc = Top of left side battery box - RIGID, 2 front axles, Fix, W/o frame free space, 2 wc = Left frame behind 1st front wheel	<input type="checkbox"/>
<input type="checkbox"/>	WHCP-M	Wheel chock(s) in the middle part of the vehicle - TRACTOR, BBOX-L, Fix, 1/2 w chocks = Left frame front of rear wheels - RIGID, 1 front axle, Fix, 1/2 w chocks = Left frame front of (or behind) rear wheels	<input type="checkbox"/>
<input type="checkbox"/>	WHCP-R	Wheel chock(s) in the rear part of the vehicle - RIGID, 1 front axle, Fix, 1/2 w chocks = Left frame rear (or front) of rear wheels	<input type="checkbox"/>
<input type="checkbox"/>	WHCP-T	Transport mounted wheel chock(s) in cab outer luggage compartment	<input type="checkbox"/>
<input type="checkbox"/>	TB-L80	Left toolbox 800 mm length (mounting length 800 mm, real length 730 mm)	<input type="checkbox"/>
<input type="checkbox"/>	TB-R80	Right toolbox 800 mm length (mounting length 800 mm, real length 730 mm)	<input type="checkbox"/>
<input type="checkbox"/>	SUP-BAS	Standard aluminium bars for side underrun protection	<input type="checkbox"/>
<input type="checkbox"/>	CHAIN-S	Snow chains	<input type="checkbox"/>
<input type="checkbox"/>	HOOK-SC	Snow chain hooks. Rear mounted for tractors and side mounted in rear overhang for rigids. Two hooks on each side.	<input type="checkbox"/>
<input checked="" type="checkbox"/>	TOWF-HD1	One heavy duty front towing device	<input type="checkbox"/>
<input type="checkbox"/>	TOWMBRH	High mounted towing member, in centre of frame	<input type="checkbox"/>
<input type="checkbox"/>	TOWMBRL1	Towing member, low mounted under the frame (position 1)	<input type="checkbox"/>
<input type="checkbox"/>	TOWMBRL2	Towing member, low and forward mounted under the frame (position 2)	<input type="checkbox"/>
<input type="checkbox"/>	TOWMBRL3	Towing member, low and far forward mounted under the frame, (position 3)	<input type="checkbox"/>
<input type="checkbox"/>	TOWMBRM	Towing member, medium mounted in line with frame lower flange	<input type="checkbox"/>
<input type="checkbox"/>	RFEC-L	Rear frame end, lower cut (for centre axle drawbar)	<input type="checkbox"/>
<input checked="" type="checkbox"/>	RFEC-S	Rear frame end, straight cut (for regular platform applications)	<input type="checkbox"/>
<input type="checkbox"/>	RFEC-U	Rear frame end, upper cut (for e.g. tipper, refuse and hooklift applications)	<input type="checkbox"/>
<input type="checkbox"/>	C-RI4040	Towing coupling Ringfeder RF4040A G-150	<input type="checkbox"/>
<input checked="" type="checkbox"/>	Standard Equipment		<input type="checkbox"/>
	Optional Equipment		<input type="checkbox"/>

For more detailed information about cab and powertrain equipment, please refer to separate specification sheets.

For all possible options and combinations of options please consult your Volvo sales contact who can create a specification to match your requirements using the Volvo Sales Support system (VSS).

The factory reserves the right to modify design and change equipment without previous notification. The specification can vary from country to country.

MODEL RANGE

FMX D11 62 Rigid tag rear air FM 62 TR1HAX

- C-RI4045** Towing coupling Ringfeder RF4045A G-150
 - C-RI5055** Towing coupling Ringfeder RF5055A G-150
 - C-RO400G** Towing coupling Rockinger 400 G-150
 - C-RO50** Towing coupling Rockinger 50 mm
 - C-VBG750** Towing coupling VBG 750V
 - C-VBG850** Towing coupling VBG 8500
 - TOWR-ONE** One rear towing device in frame end cross member
 - TREL-PK** Trailer electrical preparation kit (chassis/cab wiring)
 - TREL15** 15 pol electrical trailer connector (ADR certified)
 - TREL7-7** 2x7 pol (24N+24S) electrical trailer connectors (UADR)
 - TBC-DUO** Trailer brake connection, Duomatic
 - TBC-EC** Trailer brake connection, European Community
 - TRBR-STA** Stationary trailer brake control
 - TRB-STRE** Automatic low speed trailer brake activation (stretch brake) to avoid jack-knifing and to improve steerability
 - RUP-FOLD** Foldable aluminium rear underrun protection, EC approved
 - RUP-FOSL** Foldable and slidable aluminium rear underrun protection, EC approved
 - RFEND-B** Rear 3 piece fenders with anti-spray function (all rear axles)
 - RFEND-T** Transport mounted one-piece rear fenders
 - RFH-BAS** Optimal fender installation (rear and 2nd front axle) with regard to legal demands, wheel/tyre sizes, chassis height and fifth wheel height.
 - RFH-HIG** Highest fender installation (rear and 2nd front axle). Suitable for rough and very rough road conditions.
 - RFH-LOW** Lower fender installation (rear and 2nd front axle). Suitable only for smooth road conditions. Increased risk of fender top wear.
 - AUXATNK** Extra air tank
 - ATANK-AL** Aluminium air tanks
 - ATANK-ST** Steel air tanks
 - RESTS-W** Reflecting white stripes mounted on chassis side (underrun prot./toolbox/between fenders/overhang)
 - REST-RUP** Reflecting red stripes mounted on rear underrun protection
 - TL-LED** LED tail lamps (tail light, exterior marker light, brake light, hazard warning light, reverse light, rear fog light, licence plate light and reflector).
 - BLIGHT-E** Emergency brake light
 - FRACLOS** Frame end closing
- ### Rims and Tyres
- RT-AL** Brushed aluminium rims with std holes (long stud fixing) on all axles
 - RT-ALDP** Dura-Bright polished aluminium rims with std holes (long stud fixing) on all axles
 - RT-ALDPD** Dura-Bright polished aluminium rims with countersunk holes (short stud fixing) on all axles
 - RT-ALDU** Brushed aluminium rims with countersunk holes (short stud fixing) on all axles
 - RT-STEEL** Steel rims on all axles
 - WCAP** Wheel caps
 - BRREC001** Bridgestone ECOPIA H - Fuel Tyre Recommendation 1
 - BRREC002** Bridgestone Ecopia H 002 Evo - Tyre recommendation 2
 - COREC002** Continental ECOPLUS HS3/HD3 - Fuel Tyre Recommendation 2
 - COREC003** FUEL EFFICIENCY CLASS A Continental Efficient Pro S/D - Fuel Tyre Recommendation 3
 - GYREC002** Good Year Fuelmax S Gen-2 Long Haul - Tyre Recommendation 2
 - GYREC003** Good Year Fuelmax S(O)/D - Tyre Recommendation 3
 - GYREC004** Good Year Fuelmax S Gen2 - Tyre Recommendation 4
 - HAREC001** Hankook AL10+ E-Cube Max Long Haul Tire Recommendation 1
 - HAREC002** Hankook AL10+ E-Cube Long Haul Tire Recommendation 2
 - MIREC001** Michelin XFA2/X-LINE Energy - Fuel Tyre Recommendation 1
 - MIREC002** Michelin XZA2/X-LINE Energy - Fuel Tyre Recommendation 2
 - MIREC003** Michelin X-LINE Energy - Fuel Tyre Recommendation 3
 - MIREC004** FUEL EFFICIENCY CLASS A Michelin X Line Energy F/D2 - Fuel Tyre Recommendation 4
 - PIREC001** Pirelli FH:01 Proway - Tyre Recommendation 1
 - PIREC002** Pirelli FH:01 II - Tyre Recommendation 2
 - SPWT-D** Spare wheel with tyre equal to drive
 - SPWT-F** Spare wheel with tyre equal to front wheel
 - SWCP-LF** Spare wheel carrier on left side in front of rear axle
 - SWCP-R** Spare wheel carrier mounted behind rear axle and below frame
 - SWCP-T** Temporary spare wheel carrier. Spare wheel is transport mounted (strapped on top of the frame rails) with plastic stripes.
 - SWCP-TP** Spare wheel carrier transport mounted with the spare wheel on top of the frame rails
 - JACK-12T** Jack 12 tonnes
 - JACK-15T** Jack 15 tonnes
 - JACK-20T** Jack 20 tonnes
 - TOOL-BAS** Basic tools (combination screw driver, socket wrench)
 - TOOLKIT** Extended tool kit
 - INFLAHOS** Tyre inflation hose (18 metres) with nozzles in both ends
 - GAUGE-TP** Tyre pressure gauge
 - OBDEP-C** EU6 mandatory on board diagnostics, phase C regulations
 - OBDEP-D** EU6 mandatory on board diagnostics, phase D regulations
- ### Powertrain equipment
- TRAP-HD** Reinforced gearbox application. For manual gearboxes a heavy-duty nodular iron range housing. For I-shift gearboxes (2412 excl.) a reinforced gear shifting system.
 - TP-BAS** I-shift City gear changing software
 - TP-CON** I-shift construction gear changing software
 - TP-DIST** I-shift distribution gear changing software
 - TP-LONG** I-shift long haul gear changing software
 - AMSO-AUT** I-shift manual gear shift available in automatic mode incl kickdown function
 - AVO-ENH** Enhanced I-shift software for construction and off road applications
 - APF-ENH** Enhanced I-shift PTO functions (Auto Neutral / Reverse Inhibit / Split Box Connection)
 - RET-TH** Retarder (incl cooler) for manual and I-shift gearboxes with oil as brake fluid
 - RET-TPT** Retarder for hydraulic gearbox
 - TC-HWO** Cooler for hydraulic gearboxes - water/oil
 - TC-MAOH2** Extra high performance cooler for manual/I-shift gearboxes - air/oil
 - TC-MWO** Basic performance cooler for manual/I-Shift gearboxes - water/oil
 - TC-MWOH2** High performance cooler for manual/I-Shift gearboxes - water/oil
 - 2COM1100** Dual cylinder air compressor 760 cc / 1100 l/min
 - 2COMP900** Dual cylinder air compressor 636 cc
 - CLU-AIRC** Air compressor clutch automatically declutched when not needed in order to save fuel
 - AIRIN-HI** High air intake
 - AIRIN-LO** Low air intake
 - ACL1ST-S** Air cleaner with additional filter element (primary + secondary)
 - 24AL110B** Alternator 110 Ampere
 - 24AL120B** Alternator 120 Ampere
 - 24AL150B** Alternator 150 Ampere
 - CCV-C** Closed crankcase ventilation
 - PRIM-EL** Electrical priming pump for fast and easy bleeding of the fuel system
 - PRIM-MAN** Manual priming pump for fast and easy bleeding of the fuel

Standard Equipment Optional Equipment

For more detailed information about cab and powertrain equipment, please refer to separate specification sheets.

For all possible options and combinations of options please consult your Volvo sales contact who can create a specification to match your requirements using the Volvo Sales Support system (VSS).

The factory reserves the right to modify design and change equipment without previous notification. The specification can vary from country to country.

MODEL RANGE

FMX D11 62 Rigid tag rear air FM 62 TR1HAX

- | | |
|---|--|
| <ul style="list-style-type: none"> <input type="checkbox"/> AF-R Hot fuel recirculation heated fuel filter <input checked="" type="checkbox"/> EST-AID Engine start pre-heating element <input type="checkbox"/> 220EBH15 Engine block heater, 220 volt, 1.5 kW <input type="checkbox"/> PTER-100 Rear engine mounted clutch independent power-take-off with flange connection (DIN 100 / ISO 7646) <input type="checkbox"/> PTER-DIN Rear engine mounted clutch independent PTO with splined shaft groove (female) for a close coupled pump (DIN 5462 / ISO 7653) <input type="checkbox"/> PTER1400 Rear engine mounted clutch independent power-take-off with flange connection (SAE 1410 / ISO 7647) <input type="checkbox"/> HPE-F101 Rear engine mounted hydraulic pump F1-101, fixed displacement, single flow <input type="checkbox"/> HPE-F41 Rear engine mounted hydraulic pump F1-41, fixed displacement, single flow <input type="checkbox"/> HPE-F51 Rear engine mounted hydraulic pump F1-51, fixed displacement, single flow <input type="checkbox"/> HPE-F61 Rear engine mounted hydraulic pump F1-61, fixed displacement, single flow <input type="checkbox"/> HPE-F81 Rear engine mounted hydraulic pump F1-81, fixed displacement, single flow <input type="checkbox"/> HPE-T53 Rear engine mounted hydraulic pump F2-53/53, fixed displacement, twin flow <input type="checkbox"/> HPE-T70 Rear engine mounted hydraulic pump F2-70/35, fixed displacement, twin flow <input type="checkbox"/> HPE-V45 Rear engine mounted hydraulic pump VP1-45, variable displacement, single flow <input type="checkbox"/> HPE-V75 Rear engine mounted hydraulic pump VP1-75, variable displacement, single flow <input type="checkbox"/> PTPT-D Automatic gearbox driven power take-off, 1 front/upper connection (DIN 5462 / ISO 7653) for plug-in pump (max. 850 Nm). <input type="checkbox"/> PTPT-F Automatic gearbox driven Power take-off, 1 front/upper rear facing flange connection (SAE 1410 / ISO 7647) for propeller shaft (max. 850 Nm). <input type="checkbox"/> PTR-D Mechanical gearbox driven low speed power take-off, 1 rear connection (DIN 5462 / ISO 7653) for plug-in pump (max. 1000 Nm). <input type="checkbox"/> PTR-DH Mechanical gearbox driven high speed power take-off, 1 rear connection (DIN 5462 / ISO 7653) for plug-in pump (max. 600 Nm). <input type="checkbox"/> PTR-DM Mechanical gearbox driven medium speed power take-off, 1 rear connection (DIN 5462 / ISO 7653) for plug-in pump (max. 600 Nm). <input type="checkbox"/> PTR-F Mechanical gearbox driven low speed power take-off, 1 rear flange connection (SAE 1410 / ISO 7647) for propeller shaft (max. 1000 Nm). <input type="checkbox"/> PTR-FH Mechanical gearbox driven high speed power take-off, 1 rear flange connection (SAE 1310 / ISO 7647) for propeller shaft (max. 600 Nm). <input type="checkbox"/> PTR-FL Mechanical gearbox driven low speed power take-off, 1 rear flange connection (SAE 1310 / ISO 7647) for propeller shaft (max. 600 Nm). <input type="checkbox"/> PTRD-D Mechanical gearbox driven high speed power take-off, 1 rear and 1 front connections (DIN 5462 / ISO 7653) for plug-in pumps (max. 870 Nm). <input type="checkbox"/> PTRD-D1 Mechanical gearbox driven high speed power take-off, 1 rear flange connection (SAE 1410 / ISO 7647) for propeller shaft / 1 front connection (DIN 5462 / ISO 7653) for plug-in pump (max. 870 Nm). <input type="checkbox"/> PTRD-D2 Mechanical gearbox driven power take-off, 2 rear flange (high-low speed) connections (SAE 1310/1410 / ISO 7647) for propeller shafts / 1 front (high speed) connection (DIN 5462 / ISO 7653) for plug-in pump (max. 870/1000 Nm). <input type="checkbox"/> PTRD-F Mechanical gearbox driven high speed power take-off, 1 rear flange connection (SAE 1410 / ISO 7647) for propeller shaft (max. 870 Nm). <input type="checkbox"/> HPG-F101 Gearbox mounted hydraulic pump F1-101, fixed displacement, single flow <input type="checkbox"/> HPG-F41 Gearbox mounted hydraulic pump F1-41, fixed displacement, single flow <input type="checkbox"/> HPG-F51 Gearbox mounted hydraulic pump F1-51, fixed displacement, | <ul style="list-style-type: none"> <input type="checkbox"/> HPG-F61 Gearbox mounted hydraulic pump F1-61, fixed displacement, single flow <input type="checkbox"/> HPG-F81 Gearbox mounted hydraulic pump F1-81, fixed displacement, single flow <input type="checkbox"/> EIDLESD Engine idle shut down <p>Cab Interior, Driving</p> <ul style="list-style-type: none"> <input checked="" type="checkbox"/> STWPOS-L Left hand drive <input type="checkbox"/> STWM-LE Leather steering wheel <input type="checkbox"/> STGW-AD2 Mechanically adjustable steering wheel with neck tilt <input checked="" type="checkbox"/> STGW-ADJ Mechanically adjustable steering wheel <input type="checkbox"/> AIRBAG Airbag on driver side <input type="checkbox"/> INST-BAS Basic level instrument cluster - 4 inch monochrome display 240x320 pix <input type="checkbox"/> DRC-AMII Regeneration control of diesel filter particulates - auto initiation / manual on demand / manual inhibition <input checked="" type="checkbox"/> DRC-AUTO Regeneration control of diesel filter particulates - fully automatic (in motion) <input type="checkbox"/> 1DAYDIG One day digital tachograph, EC approved <input checked="" type="checkbox"/> 1DAYDIG2 Gen 2 one day digital tachograph, EC approved <input type="checkbox"/> 1DAYDIGP One day digital tachograph, EC approved + Prep Kit for TAS-DIG2 <input type="checkbox"/> ARSL Additional road speed limiter (switch in dashboard) <input type="checkbox"/> SPEED-DU Dual speed limiter <input type="checkbox"/> CRUISE-E Cruise control I-Cruise with controls in the steering wheel, I-Roll incl. Adding PVT-EXT/-MAP give I-See. <input checked="" type="checkbox"/> CRUISEC Basic cruise control with controls in steering wheel <input checked="" type="checkbox"/> ESP-BAS1 Electronic Stability Program package intended for RIGID single vehicles or vehicle combinations with standard centre of gravity height when laden and for TRACTOR vehicle combinations with a single trailer or multiple trailers with ABS/EBS. <input type="checkbox"/> ESPC-RO ESP (Electronic Stability Program) functionality control - Reduced / Off <input type="checkbox"/> HWSS-AC Adaptive cruise control with forward collision warning <input type="checkbox"/> HWSS-ACB Adaptive cruise control with forward collision warning (stationary and moving objects) and emergency braking. Using both radar and camera to collect info. <input checked="" type="checkbox"/> HWSS-FCB Forward collision warning (stationary and moving objects) with emergency braking <input checked="" type="checkbox"/> LSS-DW Lane keeping support - lane departure warning system <input type="checkbox"/> LCS Lane Change Support <input type="checkbox"/> DAS-W Driver Alert Support (drowsy driver warning) <input type="checkbox"/> RSENS-W Wiper rain sensor <input type="checkbox"/> CU-ECC Fully electrically controlled air conditioning with sun sensor <input type="checkbox"/> CU-ECC2 Fully electrically controlled air conditioning with sun sensor, mist sensor, air quality sensor and carbon filter <input checked="" type="checkbox"/> CU-MCC Electrical manually controlled air conditioning <input checked="" type="checkbox"/> IMMOBIL Immobiliser <input type="checkbox"/> ALARM-B Burglar alarm - cab <input type="checkbox"/> ALARM-E Burglar alarm - cab/body/trailer <input type="checkbox"/> ALCOLOCK Alcolock <input type="checkbox"/> BUPMON Back-up monitor including a 7 inch colour display integrated in dashboard, Waeco CCD-camera (delivered loose in cab) with a heated lens, motorised lens protection, 1 m pigtail cable (front) and 10 metres chassis cable for tractor /20 metres for rigid. Camera wirings not installed. Use PCA30081 for installation. <input type="checkbox"/> PHONE-PK Telephone preparation kit (antenna, antenna attachment, cable from antenna to radio shelf). |
|---|--|
- Standard Equipment Optional Equipment

For more detailed information about cab and powertrain equipment, please refer to separate specification sheets.

For all possible options and combinations of options please consult your Volvo sales contact who can create a specification to match your requirements using the Volvo Sales Support system (VSS).

The factory reserves the right to modify design and change equipment without previous notification. The specification can vary from country to country.

MODEL RANGE

FMX D11 62 Rigid tag rear air FM 62 TR1HAX

- **WLIFT-AD** Electrical window lift, auto up/down driver side; el operated on passenger side
 - **WLIFT-EB** Electrical window lift.
From the driver side both windows can be operated and from the passenger side the passenger side window can be operated.
 - **ISUNS-BS** Manually manoeuvred side interior sun visor (roller blind type) on both sides
 - **ISUNS-DS** Manually manoeuvred side interior sun visor (roller blind type) on driver side
 - **ISUNF-B** Interior front plastic sun visors (driver and passenger side) without mirror on driver side
 - **ISUNF-MD** Interior front plastic sun visors (driver and passenger side) with mirror on driver side
 - **ISUNF-RE** Electrical textile interior sun visor (roller blind) integrated in front shelf
 - **ISUNF-RM** Manual interior textile sun visor (roller-blind) integrated in front shelf
 - **ADFS** Two extra DIN slots in front shelf (push/pull storage), 165x40x180 mm (WxHxD)
 - **BUPALARM** Back-up alarm
 - **RTOLL-PK** Preparation kit for road toll collect (GPS/GSM antenna and cables)
 - **LOADIND** Load indicator with dashboard display.
Measures axle pressures, load weight and total weight of truck and one trailer.
 - **REMC-MF** Wireless remote control - multi functional
 - **FIREXT2G** Fire extinguisher 2 kg, German decal
 - **FIREXT3S** Fire extinguisher 3 kg, Swedish/English decal
 - **WARNVEST** Warning vest. Fulfils European standard according to EN 471 class 2.
 - **WARNTRI2** Two warning triangles
 - **AIDKIT** First aid kit containing sticking plaster, washing and drying pads, compresses, elastic bandages, respiratory mask, gloves and scissors
 - **AIDKIT1B** First aid kit containing sticking plaster, compresses, elastic bandages, gloves, scissors, triangular bandage, bandaging cloths, adhesive tape and rescue sheet (German requirements)
 - **WARNLAMP** Portable warning lamp with batteries
 - **LAMP-IN** Inspection lamp with 10 m cable
 - **BULBKIT** Bulb and fuse kit
 - **WRITEPAD** Writing pad with spring-loaded paper clip
- Cab Interior, Living**
- **UPHTRI10** Seat upholstery with black embossed textile insert, black vinyl bolster and blue vinyl side insert & textile interior trim in matching grey/blue nuances
 - **UPHTRI11** Seat upholstery with light grey embossed textile insert, raven metallic vinyl bolster and red vinyl side insert & vinyl/textile interior trim in matching skylark/grey/black nuances
 - **UPHTRI12** Seat upholstery with blue soft textile insert, black vinyl bolster & textile interior trim in matching grey/black/blue colours
 - **UPHTRI13** Seat upholstery with dark grey leather insert and black leather bolster & vinyl/textile interior trim in matching grey/black nuances
 - **UPHTRI14** Seat with dark grey leather insert and black leather bolster & textile interior trim in matching grey and black colours
 - **DST-CF1** Driver seat, comfort, suspended
 - **DST-CF4** Driver seat, comfort, suspended, belt in seat
 - **DST-CF5** Driver seat, comfort, suspended, belt in seat, electrically heated
 - **DST-CF6** Driver seat, comfort, suspended, belt in seat, electrically heated, ventilated
 - **SBD-RED** Red safety belts, passenger and driver seats
 - **SBPRE-DS** Driver seat belt pretensioner
 - **PST-BAS1** Passenger seat, basic, non suspended
 - **PST-BENC** Bench passenger seat
 - **PST-CF4** Passenger seat, comfort, suspended, belt in seat
 - **PST-CF5** Passenger seat, comfort, suspended, belt in seat, electrically heated
 - **PST-STD2** Passenger seat, regular, non suspended
 - **PST-STD4** Passenger seat, regular, suspended
 - **SBPRE-PS** Passenger seat belt pretensioner
 - **ARM-DBPS** Two armrests on driver seat and one (outer) on passenger seat
 - **ARMRE-BB** Two armrests on both driver and passenger seats
 - **ARMRE-DB** Two armrests on driver seat
 - **ARMRE-PB** Two armrests on passenger seat
 - **ARMRE-PS** Single armrest (next to driver) on passenger seat
 - **ARU-BAS** Vinyl armrest upholstery
 - **ARU-LEA** Leather armrest upholstery
 - **FMAT-RU2** Two black rubber floor mats with raised edges and an extended side (FMX)
 - **FMAT-RUB** Two black rubber floor mats
 - **FMAT-T2E** Two dark grey textile floor mats and two black rubber floor mats with an extended side (FMX)
 - **FMAT-TX2** Two textile (dark grey on FH/FM, black on FH16) and two black rubber floor mats
 - **LBK-RES** Lower fixed rest kit, foldable to rear wall
 - **LBK70** Lower fixed bunk, not foldable - 2000x700 mm. Safety net included.
 - **ULBK** Without lower bunk
 - **MATL-FI** Mattress lower bunk - firm for over approx. 100 kg, pocket springs.
 - **MATL-SF** Mattress lower bunk - semi-firm up to approx 100 kg, pocket springs.
 - **OLMAT-BA** Overlay mattress protector, 28 mm thick black textile
 - **OLMAT-PR** Overlay mattress protector, 35 mm thick black textile
 - **TBK60F** Fixed top bunk 600x1900 mm, foldable up to 52 degrees to rear wall (depending on cab version and upper storage). Safety net included.
 - **TBK70F** Fixed top bunk 700x1900 mm, foldable up to 52 degrees to rear wall (depending on cab version and upper storage). Safety net included.
 - **PH-CAB2** Cab parking heater, 2 kW
 - **PH-ENGCA** Engine and cab parking heater
 - **PH-SS** Short stop heater
 - **SLCP-BAS** Basic sleeper control panel (controlling interior light, parking heater, roof hatch and door lock)
 - **SAFE** Key operated safe box under bed (FH) or at bed end (FM)
 - **ETSB-F** Storage on engine tunnel - on front top
 - **ETSB-FR** Storage on engine tunnel - on front top and at rear cab wall
 - **ETSB-FRS** Storage on engine tunnel - on front top & at rear cab wall & storage immersed into tunnel on RH side
 - **ETSB-FS** Storage on engine tunnel - on front top and storage immersed into tunnel on right hand side
 - **ETSB-R** Fixed engine tunnel storage box at rear cab wall
 - **ETSB-RS** Storage on engine tunnel - at rear cab wall and storage immersed into tunnel on right hand side
 - **ETSB-S** Storage on engine tunnel - immersed into tunnel on right hand side
 - **RUS-BAS** Rear cab upper storage 154 litres (300 mm high)
 - **RUS-HIG** Rear cab upper storage 245 litres (440 mm high)
 - **TABLE** Foldable and height adjustable table to be mounted to the lower bunk
 - **REF-ICPK** Refrigerator preparation kit, engine tunnel mounted
 - **REFR-RUS** 28 litre rear upper wall mounted refrigerator with dividers
 - **MICRO-PK** Preparation kit for microwave oven (el. cables to front shelf)
 - **BOTH-D** One 1.5 litre plastic soft-drink bottle holder under dashboard

■ Standard Equipment

□ Optional Equipment

For more detailed information about cab and powertrain equipment, please refer to separate specification sheets.

For all possible options and combinations of options please consult your Volvo sales contact who can create a specification to match your requirements using the Volvo Sales Support system (VSS).

The factory reserves the right to modify design and change equipment without previous notification. The specification can vary from country to country.

MODEL RANGE

FMX D11 62 Rigid tag rear air FM 62 TR1HAX

- COFMA-PK Preparation kit (24V) for coffee maker
 - INLI-BAS Interior white light with smooth light transition at on/off, no dimming
 - INLI-NL Interior white and red (night) light with smooth light transition at on/off
 - INLI-NLD Interior white and red (night) light with smooth light transition at on/off and dimmer
 - ARL-FLEX Two (driver and passenger side) reading lamps with flexible arms (snake lamps) and led lamps fitted on side walls
 - RH-EE Without roof hatch, sky window / emergency exit (tinted glass)
 - RH-ETR Roof hatch - Electrically operated / Tinted glass / Rear opening
 - RH-MSR Roof hatch - Manually operated / Steel / Rear opening
 - RH-MTR Roof hatch - Manually operated / Tinted glass / Rear opening
 - URH Without roof hatch
 - SWIND-BS Extra side window on both sides
 - SWIND-PS Rear side window on passenger side
 - VANMIR Vanity mirror in front shelf lid.
In sleeper cab on passenger side and in high/extra high cabs in middle section of the front shelf.
 - AS-FUS One extra shelf in each of the two front upper storage compartments.
Only 1 shelf if microwave oven mounted in one of the two compartments.
 - INFOT-PK Preparation kit (bracket, security straps, power cable, antenna cable and aux cable) for mounting of a television above driver door.
- ### Cab Exterior
- PAICS-B Basic painting in a lightning grey colour of cab surrounding parts (mirror housings, insteps, bumper and if fitted bumper spoiler and sun visor).
If fitted roof air deflector, side air deflector and chassis fairings are always painted in cab colour.
 - GLAS-TIN Tinted windows (front/side/rear)
 - AWIND-RF Rear fixed window (without curtains)
 - DGLAS-L Laminated door glass
 - LOCK-MAN Manual door locking
 - LOCK-MRP Manual door locking with internal remote control (from driver side) of passenger door
 - LOCK-REM Central door locking with remote control
 - BUMP-HD Heavy duty front bumper
 - GUARD-EH Guard plate for cooling pipes and oil sump
 - SIDEH-B Guide rail on day cab driver side
 - SIDSTP-R Side ladder and guide rail on on day cab driver side
 - BUGNET Radiator screen / Mosquito net (PVC coated fibreglass) in front of radiator
 - CTILT-P-E Electrical cab tilt pump
 - CTILT-P-M Manual cab tilt pump
 - FCABS-A Air front cab suspension
 - FCABS-M Mechanical cab suspension
 - RCABS-A Air rear cab suspension
 - RCABS-M Mechanical rear cab suspension
 - MIRCOMFX El heated & operated robust main rear view mirrors, electrically heated wide angle mirrors (both sides).
Close view mirror on passenger side.
 - MIRSTDY Electrically heated robust main rear view mirrors and wide angle mirrors (both sides). Close view mirror on passenger side.
 - AMIR-F20 Front close view mirror above windscreen, passenger side (radius 200 mm)
 - SUNV-H Exterior transparent dark grey front sun visor
 - AD-ROOF Roof air deflector. Design (length, height etc.) automatically calculated and varies depending on vehicle total height (chassis height, cab type, tyres etc).
 - AD-SIDEL Long cab side air deflector
 - AD-SIDES Short cab side air deflectors
 - HL-BAS2 Halogen H1 head lamps (heavy duty)
 - HL-BASIC Halogen H7 head lamps
 - HL-BHID2 Bi-Xenon head lamps, high intensity discharged (heavy duty)
 - HL-CLEAN High pressure headlamp cleaner
 - HLP-ST Steel headlamp protection
 - HL-ADJ Adjustable headlamps to adjust the height of the light beam
 - DRL-LED V-shaped ("V-light") day running light (LED).
Turned on low beam gives a dimmed "V-light".
 - ASL-RF2 Two Hella H11 70W spot lamps in sign box (one on each side of the Globetrotter sign)
 - ASL-RFPK Preparation kit for two spot lamps in sign box
 - BEACO2F Two front roof mounted amber rotating beacon warning lamps. Mounted on accessory bracket if ordered, otherwise on cab roof on both sides of the hatch.
 - BEACO2R Two rear roof mounted (on accessory bracket) amber warning lamps.
Rotating beacon lamps mounted on sleeper cab.
Flashing LED lamps mounted on high/extra high sleeper cabs.
 - BEACON-P Prepared wiring (switch and connected relay included) for warning lamps on cab roof.
Max load 300 W.
 - BEACONA4 Four roof mounted amber warning lamps.
2 front mounted (on accessory bracket if ordered) rotating beacon lamps.
2 rear mounted (on mandatory accessory bracket) rotating beacon lamps on sleeper cab.
2 rear mounted (on mandatory accessory bracket) flashing LED lamps on high/xhigh sleeper cabs.
 - CABPT-R1 One front cab roof pass through on passenger side
 - CABPT-R2 Two front cab roof pass throughs, one on each side
 - SPOTP-F Spotlamp preparation in cab front, max 280W
 - SPOTP-R Spotlamp preparation on cab roof, max 280W
 - SPOTP-RF Spotlamp preparation on cab roof and in cab front, max 2x280W
 - ROS-IL Illuminated roof sign with switch in radio shelf. Switch for turning on/off.
 - ROS-IL2 Preparation kit for installing an illuminated roof sign*. It includes a prerouted cable harness, a switch and LED-lamps. The switch is connected in the radio shelf middle section. Switch cap with icon, are enclosed in cab. Lamps in sign are mounted. The stripe in the Globetrotter window is selected via the cab sign variants
 - ROS-ILP Wiring preparation kit (wires and switch) for cab sign or roof air deflector illumination
 - CSGN-FMX FMX decal in the cab roof sign area
 - HORN-F1S One front mounted (behind grille) single tone air horn, Jericho. Operated by steering wheel buttons.
 - HORN-R2S Two roof mounted single tone chromed air horns. Operated by steering wheel buttons.
 - ANT-CBR Right hand side roof mounted foldable antenna and cables for CB radio, single aerial.
 - ACCBR-AP Front, middle & rear roof mounted accessory brackets
 - ACCBR-F Front roof mounted accessory bracket
 - ACCBR-FM Front & middle roof mounted accessory brackets
 - ACCBR-FR Front & rear roof mounted accessory brackets
 - ACCBR-M Middle roof mounted accessory bracket
 - ACCBR-R Rear roof mounted accessory bracket
 - ACCBR-RM Rear & middle roof mounted accessory brackets
 - REFS-CW Reflecting white stripes mounted on cab side
 - REFS-TW Reflecting white cab side stripes by-packed in cab
 - REFS-TY Reflecting yellow cab side stripes by-packed in cab

■ Standard Equipment

□ Optional Equipment

For more detailed information about cab and powertrain equipment, please refer to separate specification sheets.

For all possible options and combinations of options please consult your Volvo sales contact who can create a specification to match your requirements using the Volvo Sales Support system (VSS).

The factory reserves the right to modify design and change equipment without previous notification. The specification can vary from country to country.

MODEL RANGE

FMX D11 62 Rigid tag rear air FM 62 TR1HAX

Superstructure preparations

- **SW745-EE** Swapbody equipped with front stop block for wheelbase 4600 mm, body length 7150/7450 mm and load carrier height 130 mm above frame
- **SW745-FE** Swapbody equipped with front stop block for wheelbase 4800 mm, body length 7150/7450 mm and load carrier height 130 mm above frame
- **SW745-GE** Swapbody equipped with front stop block for wheelbase 4600 mm, body length 7150/7450 mm and load carrier height 190 mm above frame
- **SW745-HE** Swapbody equipped with front stop block for wheelbase 4800 mm, body length 7150/7450 mm and load carrier height 190 mm above frame
- **SW782-ME** Swapbody equipped with front stop block for wheelbase 4900 mm, body length 7150/7450/7820 mm and load carrier height 130 mm above frame
- **SW782-OE** Swapbody equipped with front stop block for wheelbase 4900 mm, body length 7150/7450/7820 mm and load carrier height 190 mm above frame

- **CROSSRE** Cross reinforcement for swapbody
- **SRWL-PK** Wiring preparation for chassis mounted working lamps and a 3-position switch (On/Off/Reverse auto on). Max load 280W.
- **SWL-2FW** Two H3 70W white front chassis mounted (LH/RH side) working lamps and a 2-position switch (On/Off)
- **SWL-2RW** Two H3 70W white rear chassis mounted (LH/RH side) working lamps and a 2-position switch (On/Off)
- **SWL-4W** Four H3 70W white front (2) and rear (2) chassis mounted (LH/RH side) working lamps and a 2-position switch (On/Off)
- **SWL-PK** Wiring preparation for chassis mounted working lamps and a 2-position switch (On/Off). Max load 280W.

- **WL-CHPK** Preparation kit (switch and cable) for working lamp, max 2x70 W. Connector on chassis at gearbox.

- **WLC-H2A** Two H3/70W working lamps with amber coloured lens high mounted back of cab (switch incl).
- **WLC-H2W** Two H3/70W working lamps, white lens high mounted back of cab (switch incl).
- **WLC-PKCH** Preparation kit (cables and switch) for cab mounted chassis working lamp. Max load 280W.
- **WLC-PKH** Preparation kit (cables and switch) for high mounted working lamps back of cab (pass through in cab rear roof included). Max load 280W.
- **WLC-PKL** Preparation kit (cables and switch) for low mounted working lamps back of cab (pass through in cab rear wall included). Max load 280W.
- **WLC-PKLH** Preparation kit (cables and switch) for low and high mounted working lamps back of cab (pass throughs in rear wall and rear roof included). Max load 280W.

- **ECBB-BAS** Body builder electrical centre without any body builder module
- **ECBB-HIG** Body builder electrical centre with cab body builder module

- **BBCHAS1** One 7-pole connector for Body builder interface. Wiring harness routed from the bodybuilder electrical distribution box inside the cab to a connection point inside the right frame rail beside the gearbox.
- **BBCHAS3** Three 7-pole connectors for Body builder interface. Wiring harness routed from the bodybuilder electrical distribution box inside the cab to a connection point inside the right frame rail beside the gearbox.

- **BEPR-T2** Body builder electrical software preparation for tipper with remote control

- **EXSTER** Support for external steering control via body builder module

- **TD-BAS** Trailer detection without LED sensor
- **TD-LED** Trailer detection with LED sensor

- **FRFS-BS** Frame rail free space on both sides to give space for crane legs or other equipment.
One front axle with day cab: 515/507 mm (L/R side).
One front axle with long cab: 288/360 mm (L/R side).
Two front axles with short cab: 632/572 mm (L/R side).
Two front axles with long cab: 405/485 mm (L/R side).

- **FBA-BTF** Lower front body attachments for torsionally flexible platform body
- **FBA-BTSF** Lower front body attachments for torsionally semi-flexible body (van or curtainsider)

- **HBA-FSFB** Holes for body attachments, flexible/semi-flexible body
- **HBA-SB** Holes for body attachments, stiff body

- **RBA-T2** Lower rear body attachments for helper frame

- **CRANEPK1** Crane plates mounted to frame, interface for crane capacity up to 10 ton meter
- **CRANEPK2** Crane plates mounted to frame, interface for crane capacity up to 20 ton meter
- **CRANEPK4** Crane plates mounted to frame, interface for crane capacity up to 40 ton meter

- **AUXL-SPK** Electrical preparation kit (wiring and a switch in dashboard) for snow plough lights. Preparation for installation of additional headlights and additional turning indicators.

- **TAILPRE2** Tail lift preparation kit, wireless remote operation
- **TAILPREP** Tail lift preparation kit, wire remote operation

- **AESW2** Two Body builder bistable electrical switches (marked AUX1 / AUX2)
- **AESW2PK** Two Body builder bistable electrical switches (marked AUX1/AUX2) and in an empty 4-group preparation another four bistable switches with dummy switch caps

- **AUXSW-4** Wiring for 4 extra hardwired switches (from Body builder electrical centre to switch positions)

Services

- **TGW-4GWL** Telematics gateway with 4G modem
- **FMS-PK** Fleet Management System gateway, preparation kit
- **DRUT** My truck app gives the driver instant status information and control of the vehicle remotely from a smartphone or tablet. The variant enables the My truck app to connect to the vehicle.

VOLVO

Volvo Truck Corporation
volvotrucks.com