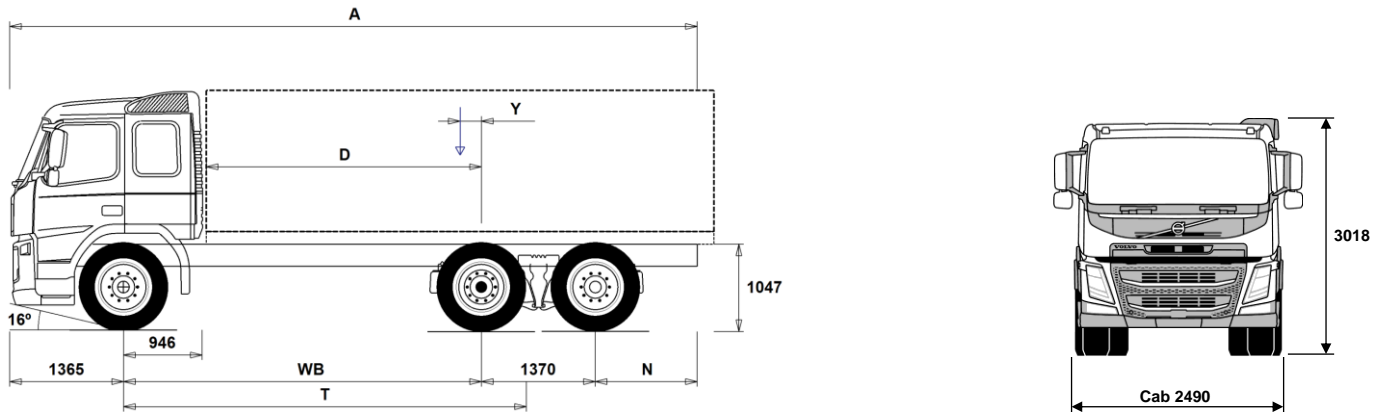


MODEL RANGE



Volvo Trucks. Driving Progress

FM LNG 6x2 Tag Rigid - Rear Air Suspension - Contact Regional Business Manager



Chassis Dimensions [mm]

WB Wheelbase	4300	4600	4800	4900	5200
A Overall Chassis Length	8260	8560	8760	8860	9160
D Center of rear axle to front of body	3304	3604	3804	3904	4204
N Rear Overhang	1225	1225	1225	1225	1225
T Theoretical Wheelbase	4841	5141	5341	5441	5741
Y Center of Gravity for Payload (Min.)	54	80	101	112	141
Y Center of Gravity for Payload (Max.)	322	366	397	414	460

Chassis Weights [kg]

Front Axle	4805	4850	4865	4870	4890
Rear Bogie	3100	3135	3140	3140	3145
Kerb Weight	7905	7985	8005	8010	8035
Payload (including body, driver, fuel, etc.)	18095	18015	17995	17990	17965

Turning Diameter [mm]

Turning Circle Diameter Kerb to Kerb	16800	17800	18400	18700	19600
Turning Circle Diameter Wall to Wall	18300	19200	19800	20100	21100

Plated Weights [kg]

	Plated	Design
Gross Vehicle Weight	26000	27000
Gross Combination Weight	44000	44000
Front Axle	8000	8000
Rear Bogie	19000	19000

Important Notes

Chassis Dimensions

Cab Height: +416 mm for CAB-HSLP, -169 mm for CAB-LSLP, +554 mm for CAB-XHSL.

Front Axle to Back of Cab: -6 mm for CAB-LSLP.

D-measure includes a front clearance of 50 mm and for rigid trucks also a subframe of 100 mm.

Height can vary ± 20 mm for leaf and ± 10 mm for air suspension.

All dimensions are for unladen chassis and any tag axles down. Chassis height used: CHH-HIGH.

Rear overhang used for vehicle weight calculation is the maximum rear overhang (N Max.) for selected wheelbase.

Height change when chassis height CHH-MED, FRAME266: 0 mm.

Weight and dimensions are based upon the following tyres:

Front Axle Tyres:	315/80R22.5
Drive Axle Tyres:	315/80R22.5
Trailing/Pusher Axle Tyres:	315/80R22.5

Chassis weight includes oil, water, AdBlue, 0 litres fuel and without driver. Kerb weight can vary $\pm 3\%$.

Turning diameters are theoretically calculated. Tag axle used: TA-FIXED.

Legal weights can differ from country to country.

For more detailed weight information, including optional equipment weights, ask your Volvo sales contact to enter your specification into the Volvo Weight Information system (WIS).

Do NOT use this drawing for bodybuilding. Refer to Volvo Bodybuilder Instructions and chassis assembly drawing FM62RTLA.

MODEL RANGE

FM LNG 6x2 Tag Rigid - Rear Air Suspension - Contact Regional Business Manager

CORE COMPONENTS

- CHH-HIGH** Chassis height high - N3 "On Road" chassis - For a specific loading height always check the unique BEP chassis drawing
- CHH-MED** Chassis height medium - For a specific loading height always check the unique BEP chassis drawing
- TA-HYSBS** Electro-hydraulic steered tag axle, with steering lock out at 38kph
8x2 models with rear steer will use the engine PTO to drive the steering pump, so will need an adapter.
- TAG-FIXD** Tag axle - Fixed with twin tyres on tag axle
- TAG-FIXS** Tag axle - Fixed with single tyres on tag axle
- FM-HSLP** Globetrotter cab - with steel safety cage design
Designed and built to Swedish impact and ECE R29 regulations
- FM-LSLP** Low sleeper cab - with steel safety cage design
Designed and built to Swedish impact and ECE R29 regulations
- FM-SLP** Sleeper cab - with steel safety cage design
Designed and built to Swedish impact and ECE R29 regulations
- FM-XHSL** Globetrotter LXL cab - with steel safety cage design
Designed and built to Swedish impact and ECE R29 regulations
- G13C420** G13C420 Liquid Natural Gas engine developing 420hp at 1400-1800rpm. Peak torque 2100Nm at 1000 -1400rpm.
- G13C460** G13C460 Liquid Natural Gas engine developing 460hp at 1700-1800rpm. Peak torque 2300Nm at 1100 -1300rpm.
- EBR-EPGC** Exhaust pressure governor for I shift gearbox
- EBR-VEB+** Volvo engine brake + and exhaust pressure governor, enhanced performance from additional exhaust rocker control. Retardation 375kW
- AT2412F** AT2412F 12-speed "I-shift" automated mechanical gearbox suitable for gross train weights up to 44tonne only refer to sales engineering when used in conjunction with a PTO
- AT2612F** AT2612F 12-speed "I-shift" automated mechanical gearbox suitable for gross train weights up to 60tonne only refer to sales engineering when used in conjunction with a PTO
- ATO2612F** ATO2612F 12-speed "I-shift" overdrive automated mechanical gearbox suitable for gross train weights up to 60tonne refer to sales engineering when used in conjunction with a PTO
- RSH1370F** RSH1370F hub reduction rear axle with differential lock - design GCW 70 tonne
- RSS1344E** RSS1344E single reduction rear axle with differential lock - design GCW 44tonne
- RSS1352A** RSS1352A single reduction 13 tonne rear axle with differential lock - design GCW 52 tonne
- RSS1356** RSS1356 single reduction rear axle with differential lock - design GCW 56 tonne
- RSS1370A** RSS1370A single reduction 13 tonne rear axle with differential lock - design GCW 70 tonne
- RSS1370B** RSS1370B single reduction 13 tonne rear axle with differential lock - design GCW 70 tonne

PACKAGES

- DRIVE5** Cab Package: Drive
- DRIVE5+** Cab Package: Drive +
- DRIVE5++** Cab Package: Drive ++
- DRIVEFM** Cab Package: Drive
- DRIVEFM+** Cab Package: Drive +
- 1LIVINFM** Sleeper Package: Living package with single bunk
- 2LIVINFM** Sleeper Package: Living package with twin bunks
- BEDFM** One bed resting package
- AUDHIG** High Power Audio system: RDS radio with CD player - also playing MP3/WMA files from CD -, with integrated bluetooth phone and USB/Line inputs. FM/AM antenna, speakers in dashboard, doors, and sleeping compartment.
- MEDIA** AM/FM Bluetooth radio without CD player.

Standard Equipment

Optional Equipment

For more detailed information about cab and powertrain equipment, please refer to separate specification sheets.

For all possible options and combinations of options please consult your Volvo sales contact who can create a specification to match your requirements using the Volvo Sales Support system (VSS).

The factory reserves the right to modify design and change equipment without previous notification. The specification can vary from country to country.

- MEDIADF** USB and Aux line inputs.
Speakers in dashboard, doors, and sleeping compartment.
7" touch screen with personal apps.
AM/FM Bluetooth radio without CD player.
USB and Aux line inputs.
Speakers in dashboard, doors, and sleeping compartment.
7" touch screen with personal and professional apps.
Dynafleet vehicle on-board data display with office internet support.
- MEDIANAV** AM/FM Bluetooth radio without CD player.
USB and Aux line inputs.
Speakers in dashboard, doors, and sleeping compartment.
7" touch screen with personal and professional apps.
Truck based satellite navigation (live updates not included)
- MEDIANDF** AM/FM Bluetooth radio without CD player.
USB and Aux line inputs.
Speakers in dashboard, doors, and sleeping compartment.
7" touch screen with personal and professional apps.
Truck based satellite navigation (live updates not included)
Dynafleet vehicle on-board data display with office internet support.
- VISI15** Visibility Package
- VISI15+** Visibility Plus Package
- VISI5** Visibility Package
- VISI5+** Visibility + Package
- ASAF15** Active Safety Package
- SAFE-VE** Active Safety Package
- SAFE-VE+** Active Safety + Package

CHASSIS

- FST-AIR** Front suspension type - air
- FST-PAR** Front suspension type - 2 leaf parabolic springs
- FSL5-BAS** Front suspension levelling - basic stroke
- FSL5-HI** Front suspension levelling - high stroke for demount operations - check with bodybuilder
- FAL7.1** Front axle design capacity 7.1 tonnes
- FAL7.5** Front axle design capacity 7.5 tonnes
- FAL8.0** Front axle design capacity 8.0 tonnes - Ensure that you have checked the tyre load index
- FAL8.5** Front axle design capacity 8.5 tonnes
- FAL9.0** Front axle design capacity 9.0 tonnes - Ensure that you have checked the tyre load index
- FSTAB** Front anti-roll bar
- FSTAB2** Front anti-roll bar medium stiffness
- FSTAB3** Front stiff anti-roll bar
- RAL19** Rear bogie design capacity 19 tonnes
- RAL20.5** Rear bogie design capacity 20.5 tonnes
- RAL22.5** Rear bogie design capacity 22.5 tonnes
- RAL23** Rear bogie design capacity 23 tonnes
- RSTAB2** Rear anti roll bar medium stiffness
- RSTAB3** Rear stiff anti-roll bar
- RALIM10** Rear axle load limiter, 10 tonnes
- RALIM105** Rear axle load limiter, 10.5 tonnes
- RALIM115** Rear axle load limiter, 11.5 tonnes
- RALIM95** Rear axle load limiter, 9.5 tonnes
- ASF-DL1** Air suspension with 1 driving level
- ASF-DL3** Air suspension with 3 driving levels
- ACTST-TO** Volvo Dynamic Steering (VDS) with with extra electronic pump and torque overlay
- ASFE-BAS** Active steering feature - Basic - Volvo Dynamic Steering only
- ASFE-PS** Active steering feature - Volvo Dynamic Steering with personal settings
- PSS-SING** Single power steering system
- PSP-VAR** Power steering pump with variable displacement
- EBS-MED** EBS medium package including "hill" hold function
- FBREG-E** Front regulating brake valve, EBS

MODEL RANGE

FM LNG 6x2 Tag Rigid - Rear Air Suspension - Contact Regional Business Manager

- **SUSPL-EC** Remote electronic control on wander-lead for air suspension levelling
- **FRAME266** Frame rail section external height 266 mm
- **FRAME300** Frame rail section external height 300 mm
- **FST7070** Frame thickness - web and flange 7.0mm
- **FST8080** Frame thickness - web and flange 8.0mm
- **FIL-EEEB** Inner liner from end of engine to end of bogie
- **FIL-EEEF** Inner liner from end of engine to end of frame
- **FIL-TXEB** Inner liner from gearbox member to end of bogie
- **FIL-TXEF** Inner liner from gearbox member to end of frame
- **BBOX-L** Battery box located on left hand side
- **BATS-S** Single energy battery system (2 batteries)
- **2BAT210B** 2 x 210 Ah capacity Gel batteries
- **2BATT170** 2 x 170 Ah capacity batteries
- **2BATT225** 2 x 225 Ah capacity batteries
- **BATTAMP** Battery voltage and ampere gauge
- **BATTIND** Battery charge indication
- **ADR1** ADR package for transportation of dangerous goods on road (Note does NOT include safe loading pass package if required this is quoted separately)
- **ADR2** ADR package for transportation of dangerous goods on road (Note does NOT include safe loading pass package if required this is quoted separately)
- **MSWI-A** Main switch - ADR switch circuit shut down
- **MSWI-C** Main switch - Chassis mounted toggle switch by battery box
- **MSWI-R** Main switch - Key fob operated remote controlled
- **R170A71** Right aluminium 710mm 170litre (165l usable) D-shaped fuel tank
Min volume 170l
Max volume 170l
- **ADTP-R** AdBlue tank on right hand side
- **ADB064** AdBlue tank usable volume 64 litres
- **FCAP-L** Locking fuel filler cap
- **FUFF-AS** Fuel filling anti-spillage device
- **FUFF-ATS** Fuel filling anti-theft and anti-spillage devices
- **LGAS155** Left mounted 155 kilogram gas tank
- **LGAS205** Left mounted 205 kilogram gas tank
- **ESH-LEFT** Horizontal silencer, left exhaust outlet
- **ESH-REAR** Horizontal silencer, rear exhaust outlet
- **ESH-RIGH** Horizontal silencer, right exhaust outlet
- **HS-NAR** Narrow heat shield
- **WHC-FIX2** Two fixed wheel chocks
- **WHC-FOL2** Two foldable wheel chocks
- **WHCP-F** Wheel chock(s) stored in the front part of the vehicle
- **WHCP-R** Wheel chock(s) stored in the rear part of the vehicle
- **WHCP-T** Transport mounted wheel chock(s) stored in cab outer luggage locker
- **TB-R80** Toolbox 800 mm, right side
- **CHAIN-S** Snow chains
- **HOOK-SC** Snow chain hooks
- **TOWF-NO1** One front towing device
- **TOWF-NO2** Two front towing devices
- **TOWMBRH** Towing member, high mounted in centre of frame, D = 190
- **TOWMBRL1** Towing member, low mounted under the frame
- **TOWMBRL2** Towing member, low and forward mounted under the frame
- **TOWMBRL3** Towing member, low and far forward mounted under the frame
- **TOWMBRM** Towing member, medium mounted in line with frame lower flange
- **RFEC-L** Rear frame end, lower flange cut for centre axle drawbar.
- **RFEC-S** Rear frame end, straight cut for regular platform applications
- **RFEC-U** Rear frame end, upper cut for tipper applications.
- **C-RI4040** Towing coupling, Ringfeder 4040 G-150
- **C-RI5055** Towing coupling, Ringfeder 5055 G-150
- **C-RO400G** Towing coupling, Rockinger 400 G-150 for 40mm eyes
- **C-RO50** Rockinger RO 50 50mm for centre axle trailer
- **TOWR-ONE** Towing hitch attached to rear crossmember
- **TREL-PK** Trailer electrical preparation kit - chassis/cab wiring
- **TREL14** Single 14 pole electrical trailer connector
- **TREL15** Single 15 pole electrical trailer connector - ADR certified
- **TREL7** 7 pole - 24N trailer electrical suzie
- **TREL7-7** 24N and 24S trailer electrical suzies
- **TBC-DUO** Duomatic type air line connectors
- **TBC-EC** Palm coupling type air line connectors
- **TRBR-HCF** Full pressure hand controlled trailer brake
- **TRBR-STA** Stationary trailer brake control
- **TRB-STRE** Stretch Brake - Automatic low speed trailer brake activation to avoid jack-knifing and improve steerability
- **RUP-FOLD** Folding EC approved aluminium rear underrun
- **RUP-FOSL** Folding & sliding EC approved aluminium rear underrun
- **RFEND-B** Three piece EC approved rear mud wings and spray flaps
- **RFEND-T** Rear mud wings, transport mounted
- **RFH-BAS** Basic rear wing height
- **RFH-HIG** High rear wing height - higher wing tops
- **RFH-LOW** Lower rear wing height - shallower wing tops
- **AUXATNK** Auxiliary airtank
- **ATANK-AL** Aluminium air tanks
- **ATANK-ST** Steel air tanks
- **REST-RUP**
- **TL-LED** Rear lights LED
- **BLIGHT-E** Emergency brake light

WHEELS & TYRES

- **RT-AL** Alcoa brushed aluminium rims with standard holes for long stud fixing on all axles
- **RT-ALDP** Alcoa Dura-Bright EVO aluminium rims with standard holes long stud fixing on all axles, requires cleaning with a ph neutral solution - washing up liquid.
- **RT-ALDPD** Alcoa Dura-Bright EVO aluminium rims with countersunk holes for short stud fixing on all axles, requires cleaning with a ph neutral solution - washing up liquid.
- **RT-ALDU** Alcoa brushed aluminium rims with countersunk holes for short stud fixing on all axles
- **RT-STEEL** Steel rims on all axles
- **WCAP** Aerodynamic hub caps
- **BRREC001** Bridgestone ECOPIA H - Energy rating C
- **BRREC002** Bridgestone Ecopia H 002 Evo - Tyre recommendation 2
- **COREC001** Continental ECOPLUS HS3 XL/HD3 - Energy rating B or C depending on size
- **COREC002** Continental ECOPLUS HS3/HD3 - Energy rating B or C depending on size
- **COREC003** Continental Efficient Pro S/D - Fuel Tyre Recommendation 3 Reduced mileage compared to Conti EcoPlus long haul pattern please consider when selecting these tyres.
- **GYREC001** Goodyear FUELMAX S/HL/D - Energy rating B or C depending on size
- **GYREC002** Goodyear FUELMAX S/D - Energy rating B or C depending on size
- **GYREC004** Goodyear FUELMAX S - Energy rating B depending on size
- **HAREC001** Hankook AL10+ E-Cube Max Long Haul Tyre - Energy rating B
- **HAREC002** Hankook AL10+ E-Cube Long Haul Tyre - Energy rating B with wide single
- **MIREC001** Michelin XFA2/X-LINE Energy - Fuel tyre Recommendation 1
- **MIREC002** Michelin XZA2/X-LINE Energy - Fuel tyre Recommendation 2
- **MIREC003** Michelin X-LINE Energy - Fuel tyre Recommendation 3
- **MIREC004** Michelin X Line Energy F/D2 - Energy rating A
- **PIREC001** Pirelli FH:01 Proway - Long Haul Tyre - Energy rating B
- **PIREC002** Pirelli FH:01 II Long Haul Tyre - Energy rating B with wide

■ Standard Equipment □ Optional Equipment

For more detailed information about cab and powertrain equipment, please refer to separate specification sheets.

For all possible options and combinations of options please consult your Volvo sales contact who can create a specification to match your requirements using the Volvo Sales Support system (VSS).

The factory reserves the right to modify design and change equipment without previous notification. The specification can vary from country to country.

MODEL RANGE

FM LNG 6x2 Tag Rigid - Rear Air Suspension - Contact Regional Business Manager

	single		
<input type="checkbox"/> SPWT-D	Spare wheel & tyre with rear tyre pattern	<input type="checkbox"/> HPG-F101	Parker F1-101 gearbox mounted, fixed displacement, single flow, hydraulic pump
<input type="checkbox"/> SPWT-F	Spare wheel & tyre with front tyre pattern	<input type="checkbox"/> HPG-F41	Parker F1-41 gearbox mounted, fixed displacement, single flow, hydraulic pump
<input type="checkbox"/> SWCP-R	Rear mounted spare wheel carrier	<input type="checkbox"/> HPG-F51	Parker F1-51 gearbox mounted, fixed displacement, single flow, hydraulic pump
<input type="checkbox"/> SWCP-T	Spare wheel supplied temporarily strapped to chassis	<input type="checkbox"/> HPG-F61	Parker F1-61 gearbox mounted, fixed displacement, single flow, hydraulic pump
<input type="checkbox"/> SWCP-TP	Temporary spare wheel carrier on top of chassis frame	<input type="checkbox"/> HPG-F81	Parker F1-81 gearbox mounted, fixed displacement, single flow, hydraulic pump
<input type="checkbox"/> JACK-12T	12 tonne bottle jack	<input type="checkbox"/> EIDLESD	Engine idle shut down
<input type="checkbox"/> JACK-15T	15 tonne bottle jack	<input type="checkbox"/> DTRI-PER	Dashboard in darker peregrine greyish brown. Steering wheel grey and door panels in light beige for FH and black for FH16.
<input type="checkbox"/> JACK-20T	20 tonne bottle jack	<input type="checkbox"/> STWPOS-R	RIGHT HAND DRIVE
<input checked="" type="checkbox"/> TOOL-BAS	Basic Toolkit	<input type="checkbox"/> STWM-LE	Leather steering wheel
<input type="checkbox"/> TOOLKIT	Complete tool kit	<input type="checkbox"/> STGW-AD2	Adjustable steering wheel with neck tilt
<input type="checkbox"/> INFLAHOS	Tyre inflation hose	<input checked="" type="checkbox"/> STGW-ADJ	Adjustable steering wheel
<input type="checkbox"/> GAUGE-TP	Tyre pressure gauge	<input checked="" type="checkbox"/> AIRBAG	SRS Driver's air bag
DRIVELINE EQUIPMENT		<input checked="" type="checkbox"/> DRC-AMII	DPF Regeneration control switch - for manual and switching off regeneration
<input type="checkbox"/> TRAP-HD	Reinforced gearbox application	<input type="checkbox"/> 1DAYDIG	Continental VDO DTCO 3.0 digital tachograph This tachograph can ONLY offer remote download if the option of Dynafleet or an FMS gateway has been specified with this order.
<input type="checkbox"/> TP-CON	Construction Package	<input type="checkbox"/> 1DAYDIGP	Continental VDO DTCO 3.0 digital tachograph For vehicles with long lead time - this includes prep kit for the retrofit of DTCO 4.0 tachograph. For updating to new legal demand for trick registration from 15th June 2019. This tachograph can ONLY offer remote download if the option of Dynafleet or an FMS gateway has been specified with this order.
<input type="checkbox"/> TP-DIST	Distribution Package	<input type="checkbox"/> ARSL	Additional road speed limit - switch in dashboard
<input type="checkbox"/> TP-LONG	Long Haul Package	<input type="checkbox"/> SPEED-DU	Dual speed limiter
<input type="checkbox"/> AMSO-AUT	Enhanced I-shift software with manual shift available in auto mode and kickdown facility on accelerator pedal	<input type="checkbox"/> CRUIS-E	Eco cruise control (with eco-roll and I-cruise, controls in steering wheel)
<input type="checkbox"/> AVO-ENH	Enhanced software for off road driveability and starting	<input checked="" type="checkbox"/> CRUISEC	Cruise control, standard
<input type="checkbox"/> APF-ENH	I-shift enhanced PTO functions	<input checked="" type="checkbox"/> ESP-BAS1	Electronic Stability Control
<input type="checkbox"/> RET-TH	Gearbox mounted retarder	<input type="checkbox"/> ESPC-RO	ESP (Electronic Stability Program) functionality control - Reduced / Off
<input type="checkbox"/> TC-MAO	Basic transmission oil cooler - air to oil	<input type="checkbox"/> HWSS-ACB	Adaptive cruise control ACC with forward collision warning and AEBS advanced emergency brake system
<input type="checkbox"/> TC-MAOH2	Extra high performance transmission oil cooler - air to oil with front mounted radiator	<input checked="" type="checkbox"/> HWSS-FCB	Forward collision warning with AEBS advanced emergency brake system
<input type="checkbox"/> 2COM1100	Two cylinder, air compressor, 1100 litres per minute	<input checked="" type="checkbox"/> LSS-DW	Lane departure-warning system
<input checked="" type="checkbox"/> 2COMP900	Two cylinder, air compressor, 900 litres per minute	<input type="checkbox"/> LCS	Lane change support
<input type="checkbox"/> CLU-AIRC	Clutchable air compressor	<input type="checkbox"/> DAS-W	Driver Alert Support system
<input checked="" type="checkbox"/> AIRIN-HI	Roof mounted air intake behind cab on left hand side	<input type="checkbox"/> RSENS-W	Rain sensing windscreen wipers
<input type="checkbox"/> AIRIN-LO	Low level air intake behind cab on left hand side	<input type="checkbox"/> CU-ECC	Electrically controlled air conditioning with sun sensor
<input type="checkbox"/> ACL1ST-S	Two stage air filter	<input type="checkbox"/> CU-ECC2	Electrically controlled air conditioning with sun sensor, mist sensor, air quality sensor and carbon filter
<input checked="" type="checkbox"/> 24AL110B	110 amp alternator	<input checked="" type="checkbox"/> CU-MCC	Climate unit with manual controlled air conditioning
<input type="checkbox"/> 24AL120B	120 amp alternator	<input checked="" type="checkbox"/> IMMOBIL	Thatcham H2 approved immobiliser
<input type="checkbox"/> 24AL150B	150 amp alternator	<input type="checkbox"/> ALARM-B	Thatcham H1 approved vehicle alarm - Cab only
<input checked="" type="checkbox"/> CCV-OX	Closed crankcase ventilation for cold markets	<input type="checkbox"/> ALARM-E	Enhanced vehicle alarm - Thatcham H1 approved - Cab plus external sensor for body/trailer
<input type="checkbox"/> PRIM-MAN	Manual priming pump	<input type="checkbox"/> ALCOLOCK	Alcolock
<input type="checkbox"/> FUEFE2LW	Large engine mounted dual fuel filter with water separator	<input type="checkbox"/> BUPMON	Back up monitor with built in 7" screen on dash and one colour camera supplied loose for fitment by bodybuilder. Can accommodate up to 4 cameras for TfL Safe Scheme,
<input checked="" type="checkbox"/> FUEFE2SW	Small engine mounted dual fuel filter with water separator		
<input checked="" type="checkbox"/> EST-AID	Air inlet manifold starting heater element		
<input type="checkbox"/> 220EBH15	220V/1.5Kw electric engine block heater		
<input type="checkbox"/> PTER-DIN	Rear engine mounted PTO with DIN5462 (female) splined shaft for a close coupled pump. Models with 3 steering axles will use this to drive the steering pump (AUXPSP)		
<input type="checkbox"/> PTR-D	Gearbox PTO for plug-in pump, 0.71xeng speed		
<input type="checkbox"/> PTR-DH	Gearbox driven high speed PTO for one plug-in hydraulic pump		
<input type="checkbox"/> PTR-DM	Gearbox driven medium speed PTO for one plug-in hydraulic pump		
<input type="checkbox"/> PTR-F	Gearbox driven PTO with rear flange connection		
<input type="checkbox"/> PTR-FH	Gearbox driven high speed PTO with SAE drive flange		
<input type="checkbox"/> PTR-FL	Gearbox driven low speed PTO with SAE drive flange		
<input type="checkbox"/> PTRD-D	Gearbox driven HIGH SPEED PTO for two plug-in hydraulic pumps		
<input type="checkbox"/> PTRD-D1	PTRD-D1 Gearbox driven HIGH SPEED PTO (1 SAE flange & 1 plug-in hydraulic pump)		
<input type="checkbox"/> PTRD-D2	Gearbox driven HIGH SPEED PTO (2 SAE flanges & 1 plug-in hyd pump)		
<input type="checkbox"/> PTRD-F	PTO with 1 DIN + 1 flange connection rear, manual gearbox		
<input checked="" type="checkbox"/> Standard Equipment		<input type="checkbox"/> Optional Equipment	

For more detailed information about cab and powertrain equipment, please refer to separate specification sheets.

For all possible options and combinations of options please consult your Volvo sales contact who can create a specification to match your requirements using the Volvo Sales Support system (VSS).

The factory reserves the right to modify design and change equipment without previous notification. The specification can vary from country to country.

MODEL RANGE

FM LNG 6x2 Tag Rigid - Rear Air Suspension - Contact Regional Business Manager

	CLOCS and FORS.				
<input type="checkbox"/>	PHONE-PK	Telephone preparation kit (antenna, antenna attachm. cable incl.)	<input type="checkbox"/>	ARM-DBPS	Two armrests on driver seat and one (outer) on passenger seat
<input type="checkbox"/>	WLIFT-AD	Electrical window lift, automatic up/down driver side	<input type="checkbox"/>	ARMRE-BB	Two armrests on both driver and passenger seat.
<input checked="" type="checkbox"/>	WLIFT-EB	Electrical window lift	<input type="checkbox"/>	ARMRE-DB	Two armrests, on driver seat only
<input type="checkbox"/>	WLIFT-ME	Mechanical window lift	<input type="checkbox"/>	ARMRE-PB	Two armrests, on passenger seat only
<input type="checkbox"/>	ISUNS-BS	Side interior sun visor on both sides	<input type="checkbox"/>	ARMRE-PS	Single armrest (next to driver) on passenger seat
<input checked="" type="checkbox"/>	ISUNS-DS	Driver's side interior sun visor	<input type="checkbox"/>	ARU-BAS	Vinyl upholstered armrest
<input checked="" type="checkbox"/>	ISUNF-B	Interior front sun visor without mirror	<input type="checkbox"/>	ARU-LEA	Leather upholstered armrest
<input type="checkbox"/>	ISUNF-MD	Interior front sun visor with mirror on driver side	<input checked="" type="checkbox"/>	FMAT-RUB	Rubber floor mats
<input type="checkbox"/>	ISUNF-RE	Electrically operated textile interior sun blind	<input type="checkbox"/>	FMAT-TX2	Textile and rubber floor mats
<input type="checkbox"/>	ISUNF-RM	Manually operated textile interior sun blind	<input checked="" type="checkbox"/>	LBK70	Lower bunk 700 x2000 mm, fixed
<input type="checkbox"/>	ADFS	Two extra DIN slots in front shelf - can be fitted with card or drawer available as an accessory	<input type="checkbox"/>	MATL-FI	Firm lower bunk pocket sprung mattress
<input checked="" type="checkbox"/>	BUPALARM	Reverse alarm	<input checked="" type="checkbox"/>	MATL-SF	Lower flexizone mattress - semi-firm, pocket springs up to 100kg - 16 stone
<input type="checkbox"/>	RTOLL-PK	Road toll PREPARATION kit for trucks operating with "Toll Collect" in Germany	<input type="checkbox"/>	MATL-SO	Lower flexizone mattress - soft, pocket springs up to 85kg - 13.5 stone
<input type="checkbox"/>	LOADIND	Load indicator with central dashboard display	<input type="checkbox"/>	OLMAT-BA	35mm mattress overlay protector
<input type="checkbox"/>	REMC-MF	Multi-functio wireless remote control	<input type="checkbox"/>	OLMAT-PR	50mm premium mattress overlay protector
<input type="checkbox"/>	FIREXT3S	3kg fire extinguisher mounted on seat base	<input type="checkbox"/>	TBK60F	Fixed foldable top bunk 600 x 1900mm
<input type="checkbox"/>	WARNVEST	High visibility warning vest - no sleeves	<input type="checkbox"/>	TBK70F	Fixed foldable top bunk 700 x 1900mm
<input type="checkbox"/>	AIDKIT	First aid kit	<input type="checkbox"/>	PH-CAB2	1.8kW Air to air night heater
<input type="checkbox"/>	AIDKIT1B	First aid kit	<input type="checkbox"/>	PH-ENGCA	Engine and cab night heater
<input type="checkbox"/>	WARNLAMP	Portable warning lamp	<input type="checkbox"/>	PH-SS	Short stop heater
<input type="checkbox"/>	LAMP-IN	Inspection lamp	<input type="checkbox"/>	SLCP-BAS	Basic sleeper control panel - includes interior light, parking heater, roof hatch and door lock
<input type="checkbox"/>	BULBKIT	Bulb and fuse kit	<input type="checkbox"/>	SAFE	Safe box for driver's personal items
<input type="checkbox"/>	WRITEPAD	Writing pad	<input type="checkbox"/>	ETSB-F	Storage on engine tunnel - on front top
<input type="checkbox"/>	UPHTRI10	Seats: Black embossed textile insert with light grey sides, black vinyl side bolster with blue vinyl side insert. Interior trim: Raven black bunk and curtains & blue textile side walls	<input type="checkbox"/>	ETSB-FS	Storage on engine tunnel - on front top and storage recessed into tunnel on right hand side
<input type="checkbox"/>	UPHTRI11	Seats: Light grey embossed textile insert, black raven metallic vinyl bolster with red vinyl side insert. Interior trim: Raven black bunk and curtains & grey vinyl side walls	<input type="checkbox"/>	ETSB-S	Storage on engine tunnel - recessed into tunnel on right hand side
<input type="checkbox"/>	UPHTRI12	Seats: Blue soft textile insert, black vinyl bolster. Interior trim: Raven black bunk and curtains & blue textile side walls	<input type="checkbox"/>	RUS-BAS	Rear cab upper storage 154 litres - 300 mm high
<input type="checkbox"/>	UPHTRI13	Seats: Dark grey leather insert and black leather bolster. Interior trim: Raven black bunk and curtains & grey vinyl side walls	<input type="checkbox"/>	RUS-HIG	Rear cab upper storage 245 litres - 440 mm high
<input type="checkbox"/>	UPHTRI14	Seat: Dark grey leather insert and black leather bolster. Interior trim: Raven black bunk and curtains & blue textile side walls	<input type="checkbox"/>	TABLE	Folding and height adjustable table - on lower bunk
<input checked="" type="checkbox"/>	DST-CF4	Driver seat, comfort, suspended, belt in seat	<input type="checkbox"/>	REF-ICPK	Fridge: engine tunnel mounted preparation kit
<input type="checkbox"/>	DST-CF5	Driver seat, comfort, suspended, belt in seat, electrically heated	<input type="checkbox"/>	REFR-RUS	Fridge: 28 litre rear upper wall mounted with dividers
<input type="checkbox"/>	DST-CF6	Driver seat, comfort, suspended, belt in seat, electrically heated, ventilated	<input type="checkbox"/>	BOTH-D	One bottle holder under dashboard centre section
<input type="checkbox"/>	SBD-RED	Red seat belts	<input type="checkbox"/>	COFMA-PK	Coffee maker, preparation kit.
<input type="checkbox"/>	SBPRE-DS	Driver seat belt pretensioner	<input checked="" type="checkbox"/>	INLI-BAS	Interior white LED lights - basic
<input checked="" type="checkbox"/>	PST-BAS1	Passenger seat - Fixed non suspended fold up with seatbelt mounted in cab	<input type="checkbox"/>	INLI-NL	Interior white and red night LED light with no dimmer
<input type="checkbox"/>	PST-BENC	Bench passenger seat	<input type="checkbox"/>	INLI-NLD	Interior white and red night LED light with dimmer
<input type="checkbox"/>	PST-CF4	Passenger seat - Comfort suspended with seatbelt mounted in seat	<input type="checkbox"/>	ARL-FLEX	Two flexible reading lamps (snake lamps)
<input type="checkbox"/>	PST-CF5	Passenger seat - Comfort suspended & heated with seatbelt mounted in seat	<input type="checkbox"/>	RH-ECS	Glass roof & escape hatch - Electrically operated
<input type="checkbox"/>	PST-STD2	Passenger seat - Fixed non suspended with seatbelt mounted in cab	<input type="checkbox"/>	RH-EE	Without roof hatch -Tinted glass emergency exit ONLY
<input type="checkbox"/>	PST-STD4	Passenger seat - Standard suspended with seatbelt mounted in cab	<input type="checkbox"/>	RH-ETR	Glass roof & escape hatch - Electrically operated, tinted glass with rear opening
<input type="checkbox"/>	SBPRE-PS	Passenger seat belt pretensioner	<input type="checkbox"/>	RH-MSR	Steel roof & escape hatch - Manually operated with rear opening
			<input type="checkbox"/>	RH-MTR	Glass roof & escape hatch - Manually operated, tinted glass with rear opening
			<input checked="" type="checkbox"/>	URH	Without roof hatch
			<input type="checkbox"/>	SWIND-BS	Extra side window on both sides behind "B" pillar
			<input type="checkbox"/>	SWIND-PS	Rear side window, passenger side
			<input type="checkbox"/>	VANMIR	Vanity mirror in front shelf
			<input type="checkbox"/>	AS-FUS	Extra shelf in front upper storage compartments
			<input type="checkbox"/>	INFOT-PK	Preparation kit for the mounting of a flat screen TV in cab above the driver's door, includes bracket, electrical and speaker connections

CAB EXTERIOR

- EXTL-BAS** Basic exterior finish - - Matt Volvo badges, grey instep, bumper, bumper spoiler, mirror housing and sun visor

Standard Equipment Optional Equipment

For more detailed information about cab and powertrain equipment, please refer to separate specification sheets.

For all possible options and combinations of options please consult your Volvo sales contact who can create a specification to match your requirements using the Volvo Sales Support system (VSS).

The factory reserves the right to modify design and change equipment without previous notification. The specification can vary from country to country.

MODEL RANGE

FM LNG 6x2 Tag Rigid - Rear Air Suspension - Contact Regional Business Manager

- PAICS-B** Basic cab paint - mirrors, sunvisor, instep and bumper supplied in natural finish - grey
 - PAICS-C** Complete cab - mirrors, insteps, sunvisor, and bumper finished in cab colour
 - GLAS-TIN** Tinted windows.
 - AWIND-RF** Rear window
 - DGLAS-H** Tempered door glass
 - DGLAS-L** Laminated door glass
 - LOCK-MAN** Manual door locking
 - LOCK-MRP** Manual door locking with internal remote control (from driver side) of passenger door
 - LOCK-REM** Central locking with remote control
 - BUMP-B** Plastic front bumper
 - BUMP-B2** Steel front bumper
 - BUMP-SP** Front bumper spoiler
 - GUARD-EH** Engine guard to protect sump and engine hoses
 - BUGNET** Insect screen in front of radiator
 - CTILTP-E** Electrically operated hydraulic cab tilt
 - CTILTP-M** Manually operated hydraulic cab tilt
 - FCABS-A** Front cab suspension - Air
 - FCABS-M** Front cab suspension - Mechanical spring
 - RCABS-A** Rear cab suspension - Air
 - RCABS-M** Rear cab suspension - Mechanical spring
 - MIRCFPCS** Electrically heated and operated main and wide angle mirrors with manually adjusted kerb view mirror on passenger side and position camera in offside mirror arm.
 - MIRCOMF** Electrically heated and operated main and wide angle mirrors and manually adjusted kerb view mirror on passenger side
 - MIRCOMF2** Electrically heated and operated FMX style main and wide-angle mirror on both sides, with manual passenger kerb mirror. To increase direct vision to the side the main mirrors have no cowlings
 - MIRCOMFM** Electrically heated and operated main with manual wide-angle mirror - both sides - and passenger kerb mirror
 - MIRSTD** Electrically heated main and wide angle mirrors and manually adjusted kerb view mirror on passenger side
 - MIRSTD2** Electrically heated - FMX - main with wide angle mirror on both sides and kerb view mirror on passenger side, to increase direct vision to the side the main mirrors have no cowlings
 - MIRSTDFM** Electrically heated main mirror with wide angle mirror on both sides and kerb view mirror on passenger side
 - AMIR-F20** Auxiliary front view mirror with a 200mm radius
 - SUNV-H** External smoke grey sunvisor
 - AD-ROOF** Roof air deflector
 - AD-SIDEL** Side air deflector extension panels
 - AD-SIDES** Short cab side air deflector for rigid bodywork
 - HL-BASIC** Halogen H7 head lamps
 - HL-BHID** High intensity Bi-Xenon head lamps
 - HL-DBL** Bi-Xenon high intensity discharge and dynamic head lamps. Dipped beam follows the road, activated by a signal from the steering system.
 - HL-CLEAN** Head lamp cleaner - washer jets
 - HLP-ST** Headlamp protection
 - HL-ADJ** Headlight adjustment - Switch in cab
 - DRIVL2** Two spot lamps
 - UDRIVL** Without auxiliary driving lights
 - FOGL-WC** Front fog lights
 - CL-STAT** Static corner lights
 - ASL-RF2** Two Hella H11 70W spotlamps in sign box - only available with the basic headlight and no lower driving lights.
 - ASL-RFPK** Preparation kit for two spotlamps in sign box
 - BEACOA2F** Two front roof mounted amber beacon rotating warning lamps
 - BEACOA2R** Two rear roof mounted (on accessory bracket) amber beacon flashing warning LED lamps
 - BEACON-P** Roof beacon wire preparation
 - BEACONA4** Four roof mounted (2 front/2 rear) amber beacon rotating warning lamps
 - CABPT-R1** Single outlet for roof mounted accessories
 - CABPT-R2** Twin outlets for roof mounted accessories.
 - SPOTP-F** Spotlamp preparation in front, max 280W
 - SPOTP-R** Spotlamp preparation on roof, max 280W
 - SPOTP-RF** Spotlamp preparation on cab roof and in cab front, max 2x280W
 - ROS-IL2** Preparation kit for illuminated roof sign with switch loose in cab, fit after registration
 - CSGN-GTR** "Globetrotter" headboard logo
 - HORN-F1S** Single tone Jericho air horn chassis mounted
 - HORN-R2S** Two roof mounted air horns
 - ANT-CBR** Roof mounted antenna for CB radio, single aerial
 - ACCBR-AP** Front, middle & rear roof mounted accessory brackets
 - ACCBR-F** Front roof mounted accessory bracket
 - ACCBR-FM** Front & middle roof mounted accessory brackets
 - ACCBR-FR** Front & rear roof mounted accessory brackets
 - ACCBR-M** Middle roof mounted accessory bracket
 - ACCBR-R** Rear roof mounted accessory bracket
 - ACCBR-RM** Rear & middle roof mounted accessory brackets
 - REFS-TW** White cab conspicuity markings by packed in cab
 - REFS-TY** Yellow cab conspicuity markings by packed in cab
- SUPERSTRUCTURE PREPARATIONS**
- SRWL-PK** Wiring preparation for side & rear work/reverse lamps on side of chassis and a three-position switch, maximum 280W
 - SWL-2FW** Two H3 70W white front chassis mounted (LH/RH side) working lamps and a 2-position switch (On/Off)
 - SWL-2RW** Two H3 70W white rear chassis mounted (LH/RH side) working lamps and a 2-position switch (On/Off)
 - SWL-4W** 4 H3 70W white front (2) & rear (2) chassis mtd (LH/RH side) working lamps & 2-pos switch (On/Off)
 - SWL-PK** Wiring preparation for side work/reverse lamps on side of chassis and a three-position switch, maximum 280W
 - WLC-H2A** Two H3/70W working lamps with amber coloured lens high mounted back of cab
 - WLC-H2W** Two H3/70W white working lamps high mounted on the back of cab
 - WLC-PKCH** Preparation kit (cables and switch) for cab mounted chassis working lamp
 - WLC-PKH** Preparation kit, cables and switch for high mounted working lamps back of cab
 - WLC-PKL** Preparation kit, cables and switch for low mounted working lamps back of cab
 - WLC-PKLH** Preparation kit - cables and switch for low and high mounted working lamps back of cab.
 - ECBB-BAS** Body builder electrical centre without body builder module
 - ECBB-HIG** Body builder electrical centre with body builder module
 - BBCHAS1** One 7-pole connector for Body builder interface
 - BBCHAS3** Three 7-pole connectors for Body builder interface
 - BEPR-T2** Body builder electrical software preparation for tipper with remote control
 - EXSTER** External steering control, with VDS and bodybuilder module
 - TD-BAS** Trailer detection WITHOUT LED sensing
 - TD-LED** Trailer detection with LED sensing
 - FBA-BTF** Lower front body attachments for torsionally flexible - platform body
 - FBA-BTSF** Lower front body attachments for torsionally semi-flexible body - box or curtainsider
 - HBA-FSFB** Holes for body attachments - flexible/semi-flexible body
- Standard Equipment Optional Equipment

For more detailed information about cab and powertrain equipment, please refer to separate specification sheets.

For all possible options and combinations of options please consult your Volvo sales contact who can create a specification to match your requirements using the Volvo Sales Support system (VSS).

The factory reserves the right to modify design and change equipment without previous notification. The specification can vary from country to country.

MODEL RANGE

FM LNG 6x2 Tag Rigid - Rear Air Suspension - Contact Regional Business Manager

- **HBA-SB** Holes for body attachments - stiff body
- **RBA-T2** Lower rear body attachments for helper frame
- **CRANEPK1** Crane plates mounted to frame, for cranes up to 10 tonne metre capacity
- **CRANEPK2** Crane plates mounted to frame, for cranes up to 20 tonne metre capacity
- **CRANEPK4** Crane plates mounted to frame, for cranes up to 40 tonne metre capacity
- **AUXL-SPK** Electrical preparation kit - wiring and switch for snow plough lights
- **TAILPRE2** Tail lift preparation kit, wireless remote operation
- **TAILPREP** Taillift preparation kit - cab switch and warning in driver display
- **AESW2** Two Body builder bistable electrical switches (marked AUX1 / AUX2)
- **AESW2PK** 2 Body builder bistable el.switches (marked AUX1/AUX2) and prep. for 4 more switches
- **AUXSW-4** Wiring for 4 extra switches (from Body builder electrical centre to switch positions)

DELIVERY SERVICES

- **TGW-4GWL** GSM/GPRS/4G modem, LTE & WLAN for telematics gateway
- **FMS-PK** Fleet Management System gateway

VOLVO

Volvo Truck Corporation

volvotrucks.com