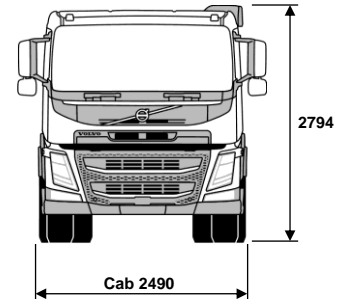
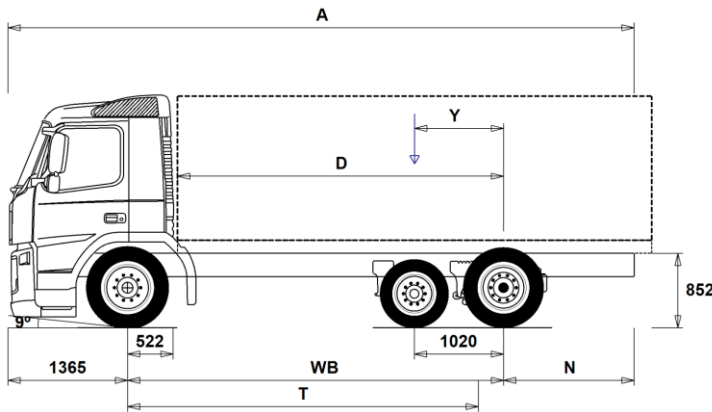


MODEL RANGE



Volvo Trucks. Driving Progress

FM 13 6x2 Platform - X-Low - Car Transporter - Rear Air Suspension FM 62 PR3XA



Chassis Dimensions [mm]

WB Wheelbase	3900	5600
A Overall Chassis Length	8560	10060
D Center of rear axle to front of body	3328	5028
N Rear Overhang (Min.)	1395	1395
N Rear Overhang (Max.)	3295	3095
T Theoretical Wheelbase	3613	5313
Y Center of Gravity for Payload (Min.)	598	685
Y Center of Gravity for Payload (Max.)	1098	1429

Chassis Weights [kg]

Front Axle	4215	4380
Rear Bogie	2425	2430
Kerb Weight	6640	6810
Payload (including body, driver, fuel, etc.)	14810	14640

Turning Diameter [mm]

Turning Circle Diameter Kerb to Kerb	13100	18300
Turning Circle Diameter Wall to Wall	14500	19800

Plated Weights [kg]

	Plated	Design
Gross Vehicle Weight	21450	24000
Gross Combination Weight	44000	44000
Front Axle	7500	8000
Rear Bogie	16000	16000

Important Notes

Chassis Dimensions

Cab Height: +416 mm for CAB-HSLP, -169 mm for CAB-LSLP, +554 mm for CAB-XHSL.

Front Axle to Back of Cab: +424 mm for CAB-HSLP and CAB-SLP and CAB-XHSL, +418 mm for CAB-LSLP.

D-measure includes a front clearance of 50 mm and for rigid trucks also a subframe of 100 mm.

Height can vary ± 20 mm for leaf and ± 10 mm for air suspension.

All dimensions are for unladen chassis and any tag axles down.

Rear overhang used for vehicle weight calculation is the maximum rear overhang (N Max.) for selected wheelbase.

Weight and dimensions are based upon the following tyres:

Front Axle Tyres:	315/60R22.5
Drive Axle Tyres:	295/60R22.5
Trailing/Pusher Axle Tyres:	245/70R17.5

Chassis weight includes oil, water, AdBlue, 0 litres fuel and without driver. Kerb weight can vary $\pm 3\%$.

Turning diameters are theoretically calculated. Tag axle used: PA-FIXED.

Legal weights can differ from country to country.

For more detailed weight information, including optional equipment weights, ask your Volvo sales contact to enter your specification into the Volvo Weight Information system (WIS).

Do NOT use this drawing for bodybuilding. Refer to Volvo Bodybuilder Instructions and chassis assembly drawing FM62PR3XA.

MODEL RANGE

FM 13 6x2 Platform - X-Low - Car Transporter - Rear Air Suspension FM 62 PR3XA

TRUCK USE

- **RC-SMOOT** Operating class highway
- **GARB-PRE** Garbage preparation
- **UNIFORM** Basic platform vehicle

CORE COMPONENTS

- **CHH-XLOW** Chassis frame height extra low - For a specific loading height always check the unique BEP chassis drawing
- **PU-FIXS** Fixed pusher axle
- **RAPD-GR** Rear air suspension, 2 axles - 1 pusher/1 driven
- **FM-DAY** Day cab - with steel safety cage design
Designed and built to Swedish impact and ECE R29 regulations
- **FM-HSLP** Globetrotter cab - with steel safety cage design
Designed and built to Swedish impact and ECE R29 regulations
- **FM-LSLP** Low sleeper cab - with steel safety cage design
Designed and built to Swedish impact and ECE R29 regulations
- **FM-SLP** Sleeper cab - with steel safety cage design
Designed and built to Swedish impact and ECE R29 regulations
- **FM-XHSL** Globetrotter LXL cab - with steel safety cage design
Designed and built to Swedish impact and ECE R29 regulations
- **EU6SCR** Emission level - Euro 6
- **D13 420S** D13K420 12.8 litre engine developing 420hp at 14-1800rpm.
Peak torque 2100Nm at 860 - 1400rpm.
- **D13 460S** D13K460 12.8 litre engine developing 460hp at 14-1800rpm.
Peak torque 2300Nm at 900-1400rpm.
- **D13 500S** D13K500 12.8l engine developing 500hp at 14-1800rpm.
Peak torque 2500Nm at 1000-1400rpm.
- **D13K420** D13K420 - 420hp engine
- **D13K460** D13K460 - 460hp engine
- **D13K500** D13K500 - 500hp engine
- **EBR-EPGC** Exhaust pressure governor for I shift gearbox
- **EBR-VEB+** Volvo engine brake + and exhaust pressure governor, enhanced performance from additional exhaust rocker control. Retardation 375kW
- **AT2412F** AT2412F 12-speed "I-shift" automated mechanical gearbox suitable for gross train weights up to 44tonne only refer to sales engineering when used in conjunction with a PTO
- **AT2612F** AT2612F 12-speed "I-shift" automated mechanical gearbox suitable for gross train weights up to 60tonne only refer to sales engineering when used in conjunction with a PTO
- **RSS1344E** RSS1344E single reduction rear axle with differential lock - design GCW 44tonne
- **RSS1352A** RSS1352A single reduction 13 tonne rear axle with differential lock - design GCW 52 tonne
- **RSS1356** RSS1356 single reduction rear axle with differential lock - design GCW 56 tonne
- **RSS1370A** RSS1370A single reduction 13 tonne rear axle with differential lock - design GCW 70 tonne
- **RSS1370B** RSS1370B single reduction 13 tonne rear axle with differential lock - design GCW 70 tonne

PACKAGES

- **LHFP-VE** Long Haul Fuel Economy driving package
- **LHFP-VE+** Long Haul Fuel Economy plus driving package
- **DRIVEFM** Cab Package: Drive
- **DRIVEFM+** Cab Package: Drive +
- **BEDFM** One bed resting package
- **AUDHIG** High Power Audio system: RDS radio with CD player - also playing MP3/WMA files from CD -, with integrated bluetooth phone and USB/Line inputs. FM/AM antenna, speakers in

- Standard Equipment
- Optional Equipment

For more detailed information about cab and powertrain equipment, please refer to separate specification sheets.

For all possible options and combinations of options please consult your Volvo sales contact who can create a specification to match your requirements using the Volvo Sales Support system (VSS).

The factory reserves the right to modify design and change equipment without previous notification. The specification can vary from country to country.

- **MEDIA** dashboard, doors, and sleeping compartment.
AM/FM Bluetooth radio without CD player.
USB and Aux line inputs.
Speakers in dashboard, doors, and sleeping compartment.
7" touch screen with personal apps.
- **MEDIADF** AM/FM Bluetooth radio without CD player.
USB and Aux line inputs.
Speakers in dashboard, doors, and sleeping compartment.
7" touch screen with personal and professional apps.
Dynafleet vehicle on-board data display with office internet support.
- **MEDIANAV** AM/FM Bluetooth radio without CD player.
USB and Aux line inputs.
Speakers in dashboard, doors, and sleeping compartment.
7" touch screen with personal and professional apps.
Truck based satellite navigation (live updates not included)
- **MEDIANDF** AM/FM Bluetooth radio without CD player.
USB and Aux line inputs.
Speakers in dashboard, doors, and sleeping compartment.
7" touch screen with personal and professional apps.
Truck based satellite navigation (live updates not included)
Dynafleet vehicle on-board data display with office internet support.
- **VISI15** Visibility Package
- **VISI15+** Visibility Plus Package
- **ASAF15** Active Safety Package
- CHASSIS**
- **FST-AIR** Front suspension type - air
- **FAL7.5** Front axle design capacity 7.5 tonnes
- **FAL8.0** Front axle design capacity 8.0 tonnes - Ensure that you have checked the tyre load index
- **FSTAB2** Front anti-roll bar medium stiffness
- **FSTAB3** Front stiff anti-roll bar
- **RAL16** Rear bogie design capacity 16 tonnes
- **RSTAB3** Rear stiff anti-roll bar
- **RALIM115** Rear axle load limiter, 11.5 tonnes
- **ACTST-TO** Volvo Dynamic Steering (VDS) with with extra electronic pump and torque overlay
- **ASFE-BAS** Active steering feature - Basic - Volvo Dynamic Steering only
- **ASFE-PS** Active steering feature - Volvo Dynamic Steering with personal settings
- **PSS-SING** Single power steering system
- **PSP-FIX** Power steering pump with fixed displacement
- **PSP-VAR** Power steering pump with variable displacement
- **EBS-MED** EBS medium package including "hill" hold function
- **FRAME266** Frame rail section external height 266 mm
- **FST7070** Frame thickness - web and flange 7.0mm
- **FST8080** Frame thickness - web and flange 8.0mm
- **FIL-FBEB** Inner liner over rear bogie
- **FIL-FBEF** Inner liner from front of bogie to end of frame
- **BBOX-L** Battery box located on left hand side
- **BATS-D** Dual energy battery system - 2 living batteries and 2 starter batteries.
- **BATS-S** Single energy battery system (2 batteries)
- **2BAT210B** 2 x 210 Ah capacity Gel batteries
- **2BATT170** 2 x 170 Ah capacity batteries
- **2BATT225** 2 x 225 Ah capacity batteries
- **BATTAMP** Battery voltage and ampere gauge
- **BATTIND** Battery charge indication
- **ADR2** ADR package for transportation of dangerous goods on road (Note does NOT include safe loading pass package if required this is quoted seperately)

MODEL RANGE

FM 13 6x2 Platform - X-Low - Car Transporter - Rear Air Suspension FM 62 PR3XA

- MSWI-A** Main switch - ADR switch circuit shut down
- MSWI-C** Main switch - Chassis mounted toggle switch by battery box
- MSWI-R** Main switch - Key fob operated remote controlled
- R255A56** Right aluminium 560 mm D-shaped fuel tank, 255 litres volume
Min volume 160l
Max volume 630l
- UL-FUEL** Without left fuel tank
Min volume 160l
Max volume 540l
- ADTP-L** AdBlue tank on left hand side
- ADTP-R** AdBlue tank on right hand side
- ADB048** AdBlue tank usable volume 48 litres
- ADB068** AdBlue tank usable volume 68 litres
- FCAP-L** Locking fuel filler cap
- FUFF-AS** Fuel filling anti-spillage device
- FUFF-ATS** Fuel filling anti-theft and anti-spillage devices
- ESH-LEFT** Horizontal silencer, left exhaust outlet
- ESH-REAR** Horizontal silencer, rear exhaust outlet
- ESH-VERT** Horizontal silencer, vertical exhaust outlet
- EXST-SSP** Stainless steel exhaust stack - NOT polished
- EXST-ST** Steel exhaust stack
- HS-NAR** Narrow heat shield
- WHC-FIX2** Two fixed wheel chocks
- WHC-FOL2** Two foldable wheel chocks
- WHCP-F** Wheel chock(s) stored in the front part of the vehicle
- WHCP-M** Wheel chock(s) stored in the middle part of the vehicle
- WHCP-R** Wheel chock(s) stored in the rear part of the vehicle
- WHCP-T** Transport mounted wheel chock(s) stored in cab outer luggage locker
- CHAIN-S** Snow chains
- HOOK-SC** Snow chain hooks
- TOWF-NO1** One front towing device
- TOWF-NO2** Two front towing devices
- TOWMBRH** Towing member, high mounted in centre of frame, D = 190
- TOWMBRL1** Towing member, low mounted under the frame
- TOWMBRM** Towing member, medium mounted in line with frame lower flange
- RFEC-L** Rear frame end, lower flange cut for centre axle drawbar.
- RFEC-S** Rear frame end, straight cut for regular platform applications
- RFEC-U** Rear frame end, upper cut for tipper applications.
- C-RI4040** Towing coupling, Ringfeder 4040 G-150
- C-RI5055** Towing coupling, Ringfeder 5055 G-150
- C-RO400G** Towing coupling, Rockinger 400 G-150 for 40mm eyes
- C-RO50** Rockinger RO 50 50mm for centre axle trailer
- TREL-PK** Trailer electrical preparation kit - chassis/cab wiring
- TREL14** Single 14 pole electrical trailer connector
- TREL15** Single 15 pole electrical trailer connector - ADR certified
- TREL7** 7 pole - 24N trailer electrical suzie
- TREL7-7** 24N and 24S trailer electrical suzies
- TBC-DUO** Duomatic type air line connectors
- TBC-EC** Palm coupling type air line connectors
- TRBR-HCF** Full pressure hand controlled trailer brake
- TRBR-STA** Stationary trailer brake control
- TRB-STRE** Stretch Brake - Automatic low speed trailer brake activation to avoid jack-knifing and improve steerability
- RUP-FOLD** Folding EC approved aluminium rear underrun
- RFEND-B** Three piece EC approved rear mud wings and spray flaps
- RFEND-T** Rear mud wings, transport mounted
- RFH-BAS** Basic rear wing height
- RFH-HIG** High rear wing height - higher wing tops
- RFH-LOW** Lower rear wing height - shallower wing tops
- ATANK-AL** Aluminium air tanks
- ATANK-ST** Steel air tanks
- TL-LED** Rear lights LED
- BLIGHT-E** Emergency brake light

WHEELS & TYRES

- RT-AL** Alcoa brushed aluminium rims with standard holes for long stud fixing on all axles
- RT-ALDP** Alcoa Dura-Bright EVO aluminium rims with standard holes long stud fixing on all axles, requires cleaning with a ph neutral solution - washing up liquid.
- RT-ALDPD** Alcoa Dura-Bright EVO aluminium rims with countersunk holes for short stud fixing on all axles, requires cleaning with a ph neutral solution - washing up liquid.
- RT-ALDU** Alcoa brushed aluminium rims with countersunk holes for short stud fixing on all axles
- RT-STEEL** Steel rims on all axles
- WCAP** Aerodynamic hub caps
- BRREC001** Bridgestone ECOPIA H - Energy rating C
- COREC002** Continental ECOPLUS HS3/HD3 - Energy rating B or C depending on size
- GYREC001** Goodyear FUELMAX S/HL/D - Energy rating B or C depending on size
- GYREC002** Goodyear FUELMAX S/D - Energy rating B or C depending on size
- GYREC004** Goodyear FUELMAX S - Energy rating B depending on size
- MIREC003** Michelin X-LINE Energy - Fuel tyre Recommendation 3
- SPWT-D** Spare wheel & tyre with rear tyre pattern
- SPWT-F** Spare wheel & tyre with front tyre pattern
- SWCP-R** Rear mounted spare wheel carrier
- SWCP-T** Spare wheel supplied temporarily strapped to chassis
- SWCP-TP** Temporary spare wheel carrier on top of chassis frame
- JACK-12T** 12 tonne bottle jack
- TOOL-BAS** Basic Toolkit
- TOOLKIT** Complete tool kit
- INFLAHOS** Tyre inflation hose
- GAUGE-TP** Tyre pressure gauge

DRIVELINE EQUIPMENT

- TRAP-HD** Reinforced gearbox application
- TP-CON** Construction Package
- TP-DIST** Distribution Package
- TP-LONG** Long Haul Package
- AMSO-AUT** Enhanced I-shift software with manual shift available in auto mode and kickdown facility on accelerator pedal
- AVO-ENH** Enhanced software for off road driveability and starting
- APF-ENH** I-shift enhanced PTO functions
- RET-TH** Gearbox mounted retarder
- RET-TPT** Hydraulic Retarder for Powertronic gearbox
- TC-MAOH2** Extra high performance transmission oil cooler - air to oil with front mounted radiator
- TC-MWO** Basic transmission oil cooler - water to oil
- 2COM1100** Two cylinder, air compressor, 1100 litres per minute
- 2COMP900** Two cylinder, air compressor, 900 litres per minute
- CLU-AIRC** Clutchable air compressor
- AIRIN-HI** Roof mounted air intake behind cab on left hand side
- AIRIN-LO** Low level air intake behind cab on left hand side
- ACL1ST-S** Two stage air filter
- 24AL110B** 110 amp alternator
- 24AL120B** 120 amp alternator
- 24AL150B** 150 amp alternator
- CCV-C** Closed crankcase engine ventilation

Standard Equipment Optional Equipment

For more detailed information about cab and powertrain equipment, please refer to separate specification sheets.

For all possible options and combinations of options please consult your Volvo sales contact who can create a specification to match your requirements using the Volvo Sales Support system (VSS).

The factory reserves the right to modify design and change equipment without previous notification. The specification can vary from country to country.

MODEL RANGE

FM 13 6x2 Platform - X-Low - Car Transporter - Rear Air Suspension FM 62 PR3XA

<input type="checkbox"/> CCV-O	Open crankcase engine breather	<input checked="" type="checkbox"/> AIRBAG	SRS Driver's air bag
<input type="checkbox"/> CCV-OX	Closed crankcase ventilation for cold markets	<input checked="" type="checkbox"/> DRC-AMII	DPF Regeneration control switch - for manual and switching off regeneration
<input checked="" type="checkbox"/> PRIM-EL	Electrical priming pump	<input checked="" type="checkbox"/> 1DAYDIG2	Continental VDO DTCO 4.0 smart tachograph This tachograph can ONLY offer remote download if the option of Dynafleet or an FMS gateway has been specified with this order.
<input type="checkbox"/> PRIM-MAN	Manual priming pump	<input type="checkbox"/> 1DAYDIGP	Continental VDO DTCO 3.0 digital tachograph For vehicles with long lead time - this includes prep kit for the retrofit of DTCO 4.0 tachograph. For updating to new legal demand for trick registration from 15th June 2019. This tachograph can ONLY offer remote download if the option of Dynafleet or an FMS gateway has been specified with this order.
<input type="checkbox"/> FUEQ-EH	Fuel line electric heater	<input type="checkbox"/> ARSL	Additional road speed limit - switch in dashboard
<input type="checkbox"/> AF-R	Hot fuel recirculation heated fuel filter	<input type="checkbox"/> SPEED-DU	Dual speed limiter
<input type="checkbox"/> FUEFE2LW	Large engine mounted dual fuel filter with water separator	<input type="checkbox"/> CRUIS-E	Eco cruise control (with eco-roll and I-cruise, controls in steering wheel)
<input checked="" type="checkbox"/> FUEFE2SW	Small engine mounted dual fuel filter with water separator	<input checked="" type="checkbox"/> CRUISEC	Cruise control, standard
<input type="checkbox"/> EST-AID	Air inlet manifold starting heater element	<input checked="" type="checkbox"/> ESP-BAS1	Electronic Stability Control
<input type="checkbox"/> 220EBH15	220V/1.5Kw electric engine block heater	<input type="checkbox"/> ESPC-RO	ESP (Electronic Stability Program) functionality control - Reduced / Off
<input type="checkbox"/> PTER-100	Rear engine mounted power-take-off with DIN 100 / ISO 7646 flange	<input type="checkbox"/> HWSS-ACB	Adaptive cruise control ACC with forward collision warning and AEBs advanced emergency brake system
<input type="checkbox"/> PTER-DIN	Rear engine mounted PTO with DIN5462 (female) splined shaft for a close coupled pump. Models with 3 steering axles will use this to drive the steering pump (AUXPSP)	<input checked="" type="checkbox"/> HWSS-FCB	Forward collision warning with AEBs advanced emergency brake system
<input type="checkbox"/> PTER1400	Rear engine mounted power-take-off with SAE 1410 flange	<input checked="" type="checkbox"/> LSS-DW	Lane departure-warning system
<input type="checkbox"/> HPE-F101	Parker F1-101, engine mounted, fixed displacement, single flow, engine mounted hydraulic pump	<input type="checkbox"/> LCS	Lane change support
<input type="checkbox"/> HPE-F41	Parker F1-41, engine mounted, fixed displacement, single flow, engine mounted hydraulic pump	<input type="checkbox"/> DAS-W	Driver Alert Support system
<input type="checkbox"/> HPE-F51	Parker F1-51, engine mounted, fixed displacement, single flow, engine mounted hydraulic pump	<input type="checkbox"/> RSENS-W	Rain sensing windscreen wipers
<input type="checkbox"/> HPE-F61	Parker F1-61, engine mounted, fixed displacement, single flow, engine mounted hydraulic pump	<input type="checkbox"/> CU-ECC	Electrically controlled air conditioning with sun sensor
<input type="checkbox"/> HPE-F81	Parker F1-81, engine mounted, fixed displacement, single flow, engine mounted hydraulic pump	<input type="checkbox"/> CU-ECC2	Electrically controlled air conditioning with sun sensor, mist sensor, air quality sensor and carbon filter
<input type="checkbox"/> HPE-T53	Parker F2-53/53, engine mounted, Fixed displacement, Twin flow engine mounted hydraulic pump	<input checked="" type="checkbox"/> CU-MCC	Climate unit with manual controlled air conditioning
<input type="checkbox"/> HPE-T70	Parker F2-70/35, engine mounted, Fixed displacement, Twin flow engine mounted hydraulic pump	<input checked="" type="checkbox"/> IMMOBIL	Thatcham H2 approved immobiliser
<input type="checkbox"/> HPE-V45	Parker VP1-45, variable displacement, single flow, engine mounted hydraulic pump	<input type="checkbox"/> ALARM-B	Thatcham H1 approved vehicle alarm - Cab only
<input type="checkbox"/> HPE-V75	Parker VP1-75, variable displacement, single flow, engine mounted hydraulic pump	<input type="checkbox"/> ALARM-E	Enhanced vehicle alarm - Thatcham H1 approved - Cab plus external sensor for body/trailer
<input type="checkbox"/> PTR-D	Gearbox PTO for plug-in pump, 0.71xeng speed	<input type="checkbox"/> ALCOLOCK	Alcolock
<input type="checkbox"/> PTR-DH	Gearbox driven high speed PTO for one plug-in hydraulic pump	<input type="checkbox"/> BUPMON	Back up monitor with built in 7" screen on dash and one colour camera supplied loose for fitment by bodybuilder. Can accommodate up to 4 cameras for TIL Safe Scheme, CLOCS and FORS.
<input type="checkbox"/> PTR-DM	Gearbox driven medium speed PTO for one plug-in hydraulic pump	<input type="checkbox"/> PHONE-PK	Telephone preparation kit (antenna, antenna attachm. cable incl.)
<input type="checkbox"/> PTR-F	Gearbox driven PTO with rear flange connection	<input type="checkbox"/> WLIFT-AD	Electrical window lift, automatic up/down driver side
<input type="checkbox"/> PTR-FH	Gearbox driven high speed PTO with SAE drive flange	<input checked="" type="checkbox"/> WLIFT-EB	Electrical window lift
<input type="checkbox"/> PTR-FL	Gearbox driven low speed PTO with SAE drive flange	<input type="checkbox"/> WLIFT-ME	Mechanical window lift
<input type="checkbox"/> PTRD-D	Gearbox driven HIGH SPEED PTO for two plug-in hydraulic pumps	<input type="checkbox"/> ISUNS-BS	Side interior sun visor on both sides
<input type="checkbox"/> PTRD-D1	PTRD-D1 Gearbox driven HIGH SPEED PTO (1 SAE flange & 1 plug-in hydraulic pump)	<input checked="" type="checkbox"/> ISUNS-DS	Driver's side interior sun visor
<input type="checkbox"/> PTRD-D2	Gearbox driven HIGH SPEED PTO (2 SAE flanges & 1 plug-in hyd pump)	<input checked="" type="checkbox"/> ISUNF-B	Interior front sun visor without mirror
<input type="checkbox"/> PTRD-F	PTO with 1 DIN + 1 flange connection rear, manual gearbox	<input type="checkbox"/> ISUNF-MD	Interior front sun visor with mirror on driver side
<input type="checkbox"/> HPG-F101	Parker F1-101 gearbox mounted, fixed displacement, single flow, hydraulic pump	<input type="checkbox"/> ISUNF-RE	Electrically operated textile interior sun blind
<input type="checkbox"/> HPG-F41	Parker F1-41 gearbox mounted, fixed displacement, single flow, hydraulic pump	<input type="checkbox"/> ISUNF-RM	Manually operated textile interior sun blind
<input type="checkbox"/> HPG-F51	Parker F1-51 gearbox mounted, fixed displacement, single flow, hydraulic pump	<input type="checkbox"/> ADFS	Two extra DIN slots in front shelf - can be fitted with card or drawer available as an accessory
<input type="checkbox"/> HPG-F61	Parker F1-61 gearbox mounted, fixed displacement, single flow, hydraulic pump	<input checked="" type="checkbox"/> BUPALARM	Reverse alarm
<input type="checkbox"/> HPG-F81	Parker F1-81 gearbox mounted, fixed displacement, single flow, hydraulic pump	<input type="checkbox"/> RTOLL-PK	Road toll PREPARATION kit for trucks operating with "Toll
<input type="checkbox"/> EIDLESD	Engine idle shut down		
<input type="checkbox"/> DTRI-PER	Dashboard in darker peregrine greyish brown. Steering wheel grey and door panels in light beige for FH and black for FH16.		
<input checked="" type="checkbox"/> STWPOS-R	RIGHT HAND DRIVE		
<input type="checkbox"/> STWM-LE	Leather steering wheel		
<input type="checkbox"/> STGW-AD2	Adjustable steering wheel with neck tilt		
<input checked="" type="checkbox"/> STGW-ADJ	Adjustable steering wheel		
<input checked="" type="checkbox"/> Standard Equipment		<input type="checkbox"/> Optional Equipment	

For more detailed information about cab and powertrain equipment, please refer to separate specification sheets.

For all possible options and combinations of options please consult your Volvo sales contact who can create a specification to match your requirements using the Volvo Sales Support system (VSS).

The factory reserves the right to modify design and change equipment without previous notification. The specification can vary from country to country.

MODEL RANGE

FM 13 6x2 Platform - X-Low - Car Transporter - Rear Air Suspension FM 62 PR3XA

	Collect* in Germany		13.5 stone
<input type="checkbox"/>	LOADIND Load indicator with central dashboard display	<input type="checkbox"/>	OLMAT-BA 35mm mattress overlay protector
<input type="checkbox"/>	REMC-MF Multi-functio wireless remote control	<input type="checkbox"/>	OLMAT-PR 50mm premium mattress overlay protector
<input type="checkbox"/>	FIREXT3S 3kg fire extinguisher mounted on seat base	<input type="checkbox"/>	TBK60F Fixed foldable top bunk 600 x 1900mm
<input type="checkbox"/>	WARNVEST High visibility warning vest - no sleeves	<input type="checkbox"/>	TBK70F Fixed foldable top bunk 700 x 1900mm
<input type="checkbox"/>	AIDKIT First aid kit	<input type="checkbox"/>	PH-CAB2 1.8kW Air to air night heater
<input type="checkbox"/>	AIDKIT1B First aid kit	<input type="checkbox"/>	PH-ENGCA Engine and cab night heater
<input type="checkbox"/>	WARNLAMP Portable warning lamp	<input type="checkbox"/>	PH-SS Short stop heater
<input type="checkbox"/>	LAMP-IN Inspection lamp	<input type="checkbox"/>	SLCP-BAS Basic sleeper control panel - includes interior light, parking heater, roof hatch and door lock
<input type="checkbox"/>	BULBKIT Bulb and fuse kit	<input type="checkbox"/>	SAFE Safe box for driver's personal items
<input type="checkbox"/>	WRITEPAD Writing pad	<input type="checkbox"/>	ETSB-F Storage on engine tunnel - on front top
<input type="checkbox"/>	UPHTRI10 Seats: Black embossed textile insert with light grey sides, black vinyl side bolster with blue vinyl side insert. Interior trim: Raven black bunk and curtains & blue textile side walls	<input type="checkbox"/>	ETSB-FR Storage on engine tunnel - on front top and at rear cab wall
<input type="checkbox"/>	UPHTRI11 Seats: Light grey embossed textile insert, black raven metallic vinyl bolster with red vinyl side insert. Interior trim: Raven black bunk and curtains & grey vinyl side walls	<input type="checkbox"/>	ETSB-FRS Storage on engine tunnel - on front top & at rear cab wall & storage recessed into tunnel on right hand side
<input type="checkbox"/>	UPHTRI12 Seats: Blue soft textile insert, black vinyl bolster. Interior trim: Raven black bunk and curtains & blue textile side walls	<input type="checkbox"/>	ETSB-FS Storage on engine tunnel - on front top and storage recessed into tunnel on right hand side
<input type="checkbox"/>	UPHTRI13 Seats: Dark grey leather insert and black leather bolster. Interior trim: Raven black bunk and curtains & grey vinyl side walls	<input type="checkbox"/>	ETSB-R Storage on engine tunnel - box at rear cab wall
<input type="checkbox"/>	UPHTRI14 Seat: Dark grey leather insert and black leather bolster. Interior trim: Raven black bunk and curtains & blue textile side walls	<input type="checkbox"/>	ETSB-RS Storage on engine tunnel - at rear cab wall and storage recessed into tunnel on right hand side
<input checked="" type="checkbox"/>	DST-CF4 Driver seat, comfort, suspended, belt in seat	<input type="checkbox"/>	ETSB-S Storage on engine tunnel - recessed into tunnel on right hand side
<input type="checkbox"/>	DST-CF5 Driver seat, comfort, suspended, belt in seat, electrically heated	<input type="checkbox"/>	RUS-BAS Rear cab upper storage 154 litres - 300 mm high
<input type="checkbox"/>	DST-CF6 Driver seat, comfort, suspended, belt in seat, electrically heated, ventilated	<input type="checkbox"/>	RUS-HIG Rear cab upper storage 245 litres - 440 mm high
<input type="checkbox"/>	SBD-RED Red seat belts	<input type="checkbox"/>	TABLE Folding and height adjustable table - on lower bunk
<input type="checkbox"/>	SBPRE-DS Driver seat belt pretensioner	<input type="checkbox"/>	REF-ICPK Fridge: engine tunnel mounted preparation kit
<input checked="" type="checkbox"/>	PST-BAS1 Passenger seat - Fixed non suspended fold up with seatbelt mounted in cab	<input type="checkbox"/>	REFR-RUS Fridge: 28 litre rear upper wall mounted with dividers
<input type="checkbox"/>	PST-BENC Bench passenger seat	<input type="checkbox"/>	MICRO-PK Preparation kit for microwave oven (wiring)
<input type="checkbox"/>	PST-CF4 Passenger seat - Comfort suspended with seatbelt mounted in seat	<input type="checkbox"/>	BOTH-D One bottle holder under dashboard centre section
<input type="checkbox"/>	PST-CF5 Passenger seat - Comfort suspended & heated with seatbelt mounted in seat	<input type="checkbox"/>	COFMA-PK Coffee maker, preparation kit.
<input type="checkbox"/>	PST-STD2 Passenger seat - Fixed non suspended with seatbelt mounted in cab	<input checked="" type="checkbox"/>	INLI-BAS Interior white LED lights - basic
<input type="checkbox"/>	PST-STD4 Passenger seat - Standard suspended with seatbelt mounted in cab	<input type="checkbox"/>	INLI-NL Interior white and red night LED light with no dimmer
<input type="checkbox"/>	SBPRE-PS Passenger seat belt pretensioner	<input type="checkbox"/>	INLI-NLD Interior white and red night LED light with dimmer
<input type="checkbox"/>	ARM-DBPS Two armrests on driver seat and one (outer) on passenger seat	<input type="checkbox"/>	ARL-FLEX Two flexible reading lamps (snake lamps)
<input type="checkbox"/>	ARMRE-BB Two armrests on both driver and passenger seat.	<input type="checkbox"/>	RH-ECS Glass roof & escape hatch - Electrically operated
<input type="checkbox"/>	ARMRE-DB Two armrests, on driver seat only	<input type="checkbox"/>	RH-EE Without roof hatch -Tinted glass emergency exit ONLY
<input type="checkbox"/>	ARMRE-PB Two armrests, on passenger seat only	<input type="checkbox"/>	RH-ETR Glass roof & escape hatch - Electrically operated, tinted glass with rear opening
<input type="checkbox"/>	ARMRE-PS Single armrest (next to driver) on passenger seat	<input type="checkbox"/>	RH-MSR Steel roof & escape hatch - Manually operated with rear opening
<input type="checkbox"/>	ARU-BAS Vinyl upholstered armrest	<input type="checkbox"/>	RH-MTR Glass roof & escape hatch - Manually operated, tinted glass with rear opening
<input type="checkbox"/>	ARU-LEA Leather upholstered armrest	<input checked="" type="checkbox"/>	URH Without roof hatch
<input checked="" type="checkbox"/>	FMAT-RUB Rubber floor mats	<input type="checkbox"/>	SWIND-BS Extra side window on both sides behind "B" pillar
<input type="checkbox"/>	FMAT-TX2 Textile and rubber floor mats	<input type="checkbox"/>	SWIND-PS Rear side window, passenger side
<input type="checkbox"/>	LBK-RES Foldable rest bunk	<input type="checkbox"/>	VANMIR Vanity mirror in front shelf
<input type="checkbox"/>	LBK70 Lower bunk 700 x2000 mm, fixed	<input type="checkbox"/>	AS-FUS Extra shelf in front upper storage compartments
<input checked="" type="checkbox"/>	ULBK Without lower bunk	<input type="checkbox"/>	INFOT-PK Preparation kit for the mounting of a flat screen TV in cab above the driver's door, includes bracket, electrical and speaker connections
<input type="checkbox"/>	MATL-FI Firm lower bunk pocket sprung mattress	CAB EXTERIOR	
<input type="checkbox"/>	MATL-SF Lower flexizone mattress - semi-firm, pocket springs up to 100kg - 16 stone	<input type="checkbox"/>	PAICS-B Basic cab paint - mirrors, sunvisor, instep and bumper supplied in natural finish - grey
<input type="checkbox"/>	MATL-SO Lower flexizone mattress - soft, pocket springs up to 85kg -	<input type="checkbox"/>	PAICS-C Complete cab - mirrors, insteps, sunvisor, and bumper finished in cab colour
<input checked="" type="checkbox"/>	Standard Equipment	<input type="checkbox"/>	GLAS-TIN Tinted windows.
<input type="checkbox"/>	Optional Equipment	<input type="checkbox"/>	AWIND-RF Rear window
		<input type="checkbox"/>	DGLAS-L Laminated door glass
		<input checked="" type="checkbox"/>	LOCK-MAN Manual door locking
		<input type="checkbox"/>	LOCK-MRP Manual door locking with internal remote control (from driver side) of passenger door

For more detailed information about cab and powertrain equipment, please refer to separate specification sheets.

For all possible options and combinations of options please consult your Volvo sales contact who can create a specification to match your requirements using the Volvo Sales Support system (VSS).

The factory reserves the right to modify design and change equipment without previous notification. The specification can vary from country to country.

MODEL RANGE

FM 13 6x2 Platform - X-Low - Car Transporter - Rear Air Suspension FM 62 PR3XA

- **LOCK-REM** Central locking with remote control
 - **BUMP-B** Plastic front bumper
 - **BUMP-B2** Steel front bumper
 - **BUGNET** Insect screen in front of radiator
 - **CTILTPE** Electrically operated hydraulic cab tilt
 - **CTILTPE-M** Manually operated hydraulic cab tilt
 - **FCABS-A** Front cab suspension - Air
 - **FCABS-M** Front cab suspension - Mechanical spring
 - **RCABS-A** Rear cab suspension - Air
 - **RCABS-M** Rear cab suspension - Mechanical spring
 - **MIRCOMF2** Electrically heated and operated FMX style main and wide-angle mirror on both sides, with manual passenger kerb mirror. To increase direct vision to the side the main mirrors have no cowlings
 - **MIRCOMFM** Electrically heated and operated main with manual wide-angle mirror - both sides - and passenger kerb mirror
 - **MIRSTD2** Electrically heated - FMX - main with wide angle mirror on both sides and kerb view mirror on passenger side, to increase direct vision to the side the main mirrors have no cowlings
 - **MIRSTDFM** Electrically heated main mirror with wide angle mirror on both sides and kerb view mirror on passenger side
 - **AMIR-F20** Auxiliary front view mirror with a 200mm radius
 - **SUNV-H** External smoke grey sunvisor
 - **AD-ROOF** Roof air deflector
 - **AD-SIDEL** Side air deflector extension panels
 - **AD-SIDES** Short cab side air deflector for rigid bodywork
 - **HL-BASIC** Halogen H7 head lamps
 - **HL-BHID** High intensity Bi-Xenon head lamps
 - **HL-DBL** Bi-Xenon high intensity discharge and dynamic head lamps. Dipped beam follows the road, activated by a signal from the steering system.
 - **HL-CLEAN** Head lamp cleaner - washer jets
 - **HLP-ST** Headlamp protection
 - **HL-ADJ** Headlight adjustment - Switch in cab
 - **DRIVL2** Two spot lamps
 - **UDRIVL** Without auxiliary driving lights
 - **FOGL-WC** Front fog lights
 - **CL-STAT** Static corner lights
 - **ASL-RF2** Two Hella H11 70W spotlamps in sign box - only available with the basic headlight and no lower driving lights.
 - **ASL-RFPK** Preparation kit for two spotlamps in sign box
 - **BEACOA2F** Two front roof mounted amber beacon rotating warning lamps
 - **BEACOA2R** Two rear roof mounted (on accessory bracket) amber beacon flashing warning LED lamps
 - **BEACON-P** Roof beacon wire preparation
 - **BEACONA4** Four roof mounted (2 front/2 rear) amber beacon rotating warning lamps
 - **CABPT-R1** Single outlet for roof mounted accessories
 - **CABPT-R2** Twin outlets for roof mounted accessories.
 - **SPOTP-F** Spotlamp preparation in front, max 280W
 - **SPOTP-R** Spotlamp preparation on roof, max 280W
 - **SPOTP-RF** Spotlamp preparation on cab roof and in cab front, max 2x280W
 - **ROS-IL2** Preparation kit for illuminated roof sign with switch loose in cab, fit after registration
 - **CSGN-GTR** "Globetrotter" headboard logo
 - **HORN-F1S** Single tone Jericho air horn chassis mounted
 - **HORN-R2S** Two roof mounted air horns
 - **ANT-CBR** Roof mounted antenna for CB radio, single aerial
 - **ACCBR-AP** Front, middle & rear roof mounted accessory brackets
 - **ACCBR-F** Front roof mounted accessory bracket
 - **ACCBR-FM** Front & middle roof mounted accessory brackets
 - **ACCBR-FR** Front & rear roof mounted accessory brackets
 - **ACCBR-M** Middle roof mounted accessory bracket
 - **ACCBR-R** Rear roof mounted accessory bracket
 - **ACCBR-RM** Rear & middle roof mounted accessory brackets
 - **REFS-TW** White cab conspicuity markings by packed in cab
 - **REFS-TY** Yellow cab conspicuity markings by packed in cab
- ### SUPERSTRUCTURE PREPARATIONS
- **SRWL-PK** Wiring preparation for side & rear work/reverse lamps on side of chassis and a three-position switch, maximum 280W
 - **SWL-2FW** Two H3 70W white front chassis mounted (LH/RH side) working lamps and a 2-position switch (On/Off)
 - **SWL-2RW** Two H3 70W white rear chassis mounted (LH/RH side) working lamps and a 2-position switch (On/Off)
 - **SWL-4W** 4 H3 70W white front (2) & rear (2) chassis mtd (LH/RH side) working lamps & 2-pos switch (On/Off)
 - **SWL-PK** Wiring preparation for side work/reverse lamps on side of chassis and a three-position switch, maximum 280W
 - **WLC-H2A** Two H3/70W working lamps with amber coloured lens high mounted back of cab
 - **WLC-H2W** Two H3/70W white working lamps high mounted on the back of cab
 - **WLC-PKCH** Preparation kit (cables and switch) for cab mounted chassis working lamp
 - **WLC-PKH** Preparation kit, cables and switch for high mounted working lamps back of cab
 - **WLC-PKL** Preparation kit, cables and switch for low mounted working lamps back of cab
 - **WLC-PKLH** Preparation kit - cables and switch for low and high mounted working lamps back of cab.
 - **ECBB-BAS** Body builder electrical centre without body builder module
 - **ECBB-HIG** Body builder electrical centre with body builder module
 - **BBCHAS1** One 7-pole connector for Body builder interface
 - **BBCHAS3** Three 7-pole connectors for Body builder interface
 - **BEPR-T2** Body builder electrical software preparation for tipper with remote control
 - **EXSTER** External steering control, with VDS and bodybuilder module
 - **TD-BAS** Trailer detection WITHOUT LED sensing
 - **TD-LED** Trailer detection with LED sensing
 - **FBA-BTF** Lower front body attachments for torsionally flexible - platform body
 - **FBA-BTSF** Lower front body attachments for torsionally semi-flexible body - box or curtainsider
 - **HBA-FSFB** Holes for body attachments - flexible/semi-flexible body
 - **HBA-SB** Holes for body attachments - stiff body
 - **RBA-T2** Lower rear body attachments for helper frame
 - **AUXL-SPK** Electrical preparation kit - wiring and switch for snow plough lights
 - **TAILPRE2** Tail lift preparation kit, wireless remote operation
 - **TAILPREP** Taillift preparation kit - cab switch and warning in driver display
 - **AESW2** Two Body builder bistable electrical switches (marked AUX1 / AUX2)
 - **AESW2PK** 2 Body builder bistable el.switches (marked AUX1/AUX2) and prep. for 4 more switches
 - **AUXSW-4** Wiring for 4 extra switches (from Body builder electrical centre to switch positions)
- ### DELIVERY SERVICES
- **TGW-4GWL** GSM/GPRS/4G modem, LTE & WLAN for telematics gateway
 - **FMS-PK** Fleet Management System gateway

VOLVO

Volvo Truck Corporation

volvotrucks.com