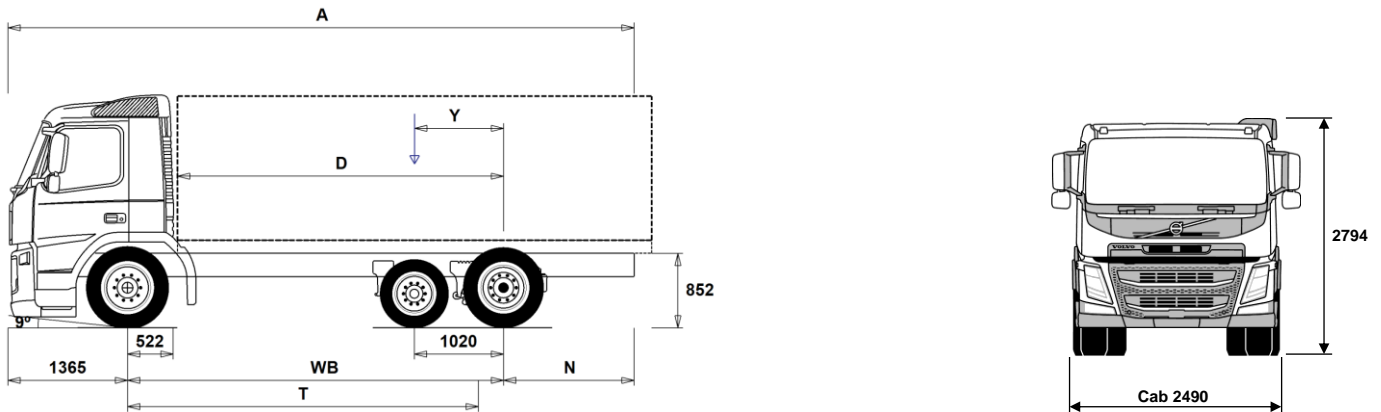


MODEL RANGE



Volvo Trucks. Driving Progress

FM 11 6x2 Platform - X-Low - Car Transporter - Rear Air Suspension FM 62 PR1XA



Chassis Dimensions [mm]

WB Wheelbase	3900	5600
A Overall Chassis Length	8560	10060
D Center of rear axle to front of body	3328	5028
N Rear Overhang (Min.)	1395	1395
N Rear Overhang (Max.)	3295	3095
T Theoretical Wheelbase	3613	5313
Y Center of Gravity for Payload (Min.)	622	722
Y Center of Gravity for Payload (Max.)	1119	1460

Chassis Weights [kg]

Front Axle	4105	4270
Rear Bogie	2425	2430
Kerb Weight	6530	6700
Payload (including body, driver, fuel, etc.)	14920	14750

Turning Diameter [mm]

Turning Circle Diameter Kerb to Kerb	13100	18300
Turning Circle Diameter Wall to Wall	14500	19800

Plated Weights [kg]

	Plated	Design
Gross Vehicle Weight	21450	24000
Gross Combination Weight	44000	44000
Front Axle	7500	8000
Rear Bogie	16000	16000

Important Notes

Chassis Dimensions

Cab Height: +416 mm for CAB-HSLP, -169 mm for CAB-LSLP, +554 mm for CAB-XHSL.

Front Axle to Back of Cab: +424 mm for CAB-HSLP and CAB-SLP and CAB-XHSL, +418 mm for CAB-LSLP.

D-measure includes a front clearance of 50 mm and for rigid trucks also a subframe of 100 mm.

Height can vary ± 20 mm for leaf and ± 10 mm for air suspension.

All dimensions are for unladen chassis and any tag axles down.

Rear overhang used for vehicle weight calculation is the maximum rear overhang (N Max.) for selected wheelbase.

Weight and dimensions are based upon the following tyres:

Front Axle Tyres:	315/60R22.5
Drive Axle Tyres:	295/60R22.5
Trailing/Pusher Axle Tyres:	245/70R17.5

Chassis weight includes oil, water, AdBlue, 0 litres fuel and without driver. Kerb weight can vary $\pm 3\%$.

Turning diameters are theoretically calculated. Tag axle used: PA-FIXED.

Legal weights can differ from country to country.

For more detailed weight information, including optional equipment weights, ask your Volvo sales contact to enter your specification into the Volvo Weight Information system (WIS).

Do NOT use this drawing for bodybuilding. Refer to Volvo Bodybuilder Instructions and chassis assembly drawing FM62PR1XA.

MODEL RANGE

FM 11 6x2 Platform - X-Low - Car Transporter - Rear Air Suspension FM 62 PR1XA

TRUCK USE

- **RC-SMOOT** Operating class highway
- **GARB-PRE** Garbage preparation
- **UNIFORM** Basic platform vehicle

CORE COMPONENTS

- **CHH-XLOW** Chassis frame height extra low - For a specific loading height always check the unique BEP chassis drawing
- **PU-FIXS** Fixed pusher axle
- **RAPD-GR** Rear air suspension, 2 axles - 1 pusher/1 driven
- **FM-DAY** Day cab - with steel safety cage design
Designed and built to Swedish impact and ECE R29 regulations
- **FM-HSLP** Globetrotter cab - with steel safety cage design
Designed and built to Swedish impact and ECE R29 regulations
- **FM-LSLP** Low sleeper cab - with steel safety cage design
Designed and built to Swedish impact and ECE R29 regulations
- **FM-SLP** Sleeper cab - with steel safety cage design
Designed and built to Swedish impact and ECE R29 regulations
- **FM-XHSL** Globetrotter LXL cab - with steel safety cage design
Designed and built to Swedish impact and ECE R29 regulations
- **EU6SCR** Emission level - Euro 6
- **D11K330** D11K330 10.8 litre engine developing 330hp at 16-1900rpm.
Peak torque 1600Nm at 950-1400rpm.
- **D11K380** D11K380 10.8 litre engine developing 380hp at 17-1900rpm.
Peak torque 1800Nm at 950-1400rpm.
- **D11K430** D11K430 10.8 litre engine developing 430hp at 17-1800rpm.
Peak torque 2050Nm at 1058-1400rpm.
- **D11K460** D11K460 10.8 litre engine developing 450hp at 16-1800rpm.
Peak torque 2200Nm at 1050-1400rpm.
- **EBR-EPGC** Exhaust pressure governor for I shift gearbox
- **EBR-VEB** Volvo engine brake and exhaust pressure governor retardation 300kW
- **AT2412F** AT2412F 12-speed "I-shift" automated mechanical gearbox suitable for gross train weights up to 44tonne only refer to sales engineering when used in conjunction with a PTO
- **AT2612F** AT2612F 12-speed "I-shift" automated mechanical gearbox suitable for gross train weights up to 60tonne only refer to sales engineering when used in conjunction with a PTO
- **RSS1344E** RSS1344E single reduction rear axle with differential lock - design GCW 44tonne
- **RSS1352A** RSS1352A single reduction 13 tonne rear axle with differential lock - design GCW 52 tonne
- **RSS1356** RSS1356 single reduction rear axle with differential lock - design GCW 56 tonne
- **RSS1370A** RSS1370A single reduction 13 tonne rear axle with differential lock - design GCW 70 tonne
- **RSS1370B** RSS1370B single reduction 13 tonne rear axle with differential lock - design GCW 70 tonne

PACKAGES

- **LHFP-VE** Long Haul Fuel Economy driving package
- **DRIVEFM** Cab Package: Drive
- **DRIVEFM+** Cab Package: Drive +
- **BEDFM** One bed resting package
- **AUDHIG** High Power Audio system: RDS radio with CD player - also playing MP3/WMA files from CD -, with integrated bluetooth phone and USB/Line inputs. FM/AM antenna, speakers in dashboard, doors, and sleeping compartment.
- **MEDIA** AM/FM Bluetooth radio without CD player.
USB and Aux line inputs.
Speakers in dashboard, doors, and sleeping compartment.

- Standard Equipment
- Optional Equipment

For more detailed information about cab and powertrain equipment, please refer to separate specification sheets.

For all possible options and combinations of options please consult your Volvo sales contact who can create a specification to match your requirements using the Volvo Sales Support system (VSS).

The factory reserves the right to modify design and change equipment without previous notification. The specification can vary from country to country.

- **MEDIADF** 7" touch screen with personal apps.
AM/FM Bluetooth radio without CD player.
USB and Aux line inputs.
Speakers in dashboard, doors, and sleeping compartment.
7" touch screen with personal and professional apps.
Dynafleet vehicle on-board data display with office internet support.
 - **MEDIANAV** AM/FM Bluetooth radio without CD player.
USB and Aux line inputs.
Speakers in dashboard, doors, and sleeping compartment.
7" touch screen with personal and professional apps.
Truck based satellite navigation (live updates not included)
 - **MEDIANDF** AM/FM Bluetooth radio without CD player.
USB and Aux line inputs.
Speakers in dashboard, doors, and sleeping compartment.
7" touch screen with personal and professional apps.
Truck based satellite navigation (live updates not included)
Dynafleet vehicle on-board data display with office internet support.
 - **VISI15** Visibility Package
 - **VISI15+** Visibility Plus Package
 - **ASAF15** Active Safety Package
- ### CHASSIS
- **FST-AIR** Front suspension type - air
 - **FAL7.5** Front axle design capacity 7.5 tonnes
 - **FAL8.0** Front axle design capacity 8.0 tonnes - Ensure that you have checked the tyre load index
 - **FSTAB2** Front anti-roll bar medium stiffness
 - **FSTAB3** Front stiff anti-roll bar
 - **RAL16** Rear bogie design capacity 16 tonnes
 - **RSTAB3** Rear stiff anti-roll bar
 - **RALIM115** Rear axle load limiter, 11.5 tonnes
 - **ACTST-TO** Volvo Dynamic Steering (VDS) with with extra electronic pump and torque overlay
 - **ASFE-BAS** Active steering feature - Basic - Volvo Dynamic Steering only
 - **ASFE-PS** Active steering feature - Volvo Dynamic Steering with personal settings
 - **PSS-SING** Single power steering system
 - **PSP-FIX** Power steering pump with fixed displacement
 - **PSP-VAR** Power steering pump with variable displacement
 - **EBS-MED** EBS medium package including "hill" hold function
 - **FRAME266** Frame rail section external height 266 mm
 - **FST7070** Frame thickness - web and flange 7.0mm
 - **FST8080** Frame thickness - web and flange 8.0mm
 - **FIL-FBEB** Inner liner over rear bogie
 - **FIL-FBEF** Inner liner from front of bogie to end of frame
 - **BBOX-L** Battery box located on left hand side
 - **2BAT210B** 2 x 210 Ah capacity Gel batteries
 - **2BATT170** 2 x 170 Ah capacity batteries
 - **2BATT225** 2 x 225 Ah capacity batteries
 - **BATTAMP** Battery voltage and ampere gauge
 - **BATTIND** Battery charge indication
 - **ADR2** ADR package for transportation of dangerous goods on road (Note does NOT include safe loading pass package if required this is quoted separately)
 - **MSWI-A** Main switch - ADR switch circuit shut down
 - **MSWI-C** Main switch - Chassis mounted toggle switch by battery box
 - **MSWI-R** Main switch - Key fob operated remote controlled
 - **R255A56** Right aluminium 560 mm D-shaped fuel tank, 255 litres volume
Min volume 160l
Max volume 630l

MODEL RANGE

FM 11 6x2 Platform - X-Low - Car Transporter - Rear Air Suspension FM 62 PR1XA

■ UL-FUEL	Without left fuel tank Min volume 160l Max volume 540l	□ RT-AL	Alcoa brushed aluminium rims with standard holes for long stud fixing on all axles
■ ADTP-L	AdBlue tank on left hand side	□ RT-ALDP	Alcoa Dura-Bright EVO aluminium rims with standard holes long stud fixing on all axles, requires cleaning with a ph neutral solution - washing up liquid.
□ ADTP-R	AdBlue tank on right hand side	□ RT-ALDPD	Alcoa Dura-Bright EVO aluminium rims with countersunk holes for short stud fixing on all axles, requires cleaning with a ph neutral solution - washing up liquid.
■ ADB048	AdBlue tank usable volume 48 litres	□ RT-ALDU	Alcoa brushed aluminium rims with countersunk holes for short stud fixing on all axles
□ ADB068	AdBlue tank usable volume 68 litres	■ RT-STEEL	Steel rims on all axles
■ FCAP-L	Locking fuel filler cap	□ WCAP	Aerodynamic hub caps
■ FUFF-AS	Fuel filling anti-spillage device	□ BRREC001	Bridgestone ECOPIA H - Energy rating C
□ FUFF-ATS	Fuel filling anti-theft and anti-spillage devices	□ COREC002	Continental ECOPLUS HS3/HD3 - Energy rating B or C depending on size
□ ESH-LEFT	Horizontal silencer, left exhaust outlet	□ GYREC001	Goodyear FUELMAX S/HL/D - Energy rating B or C depending on size
■ ESH-REAR	Horizontal silencer, rear exhaust outlet	□ GYREC002	Goodyear FUELMAX S/D - Energy rating B or C depending on size
□ ESH-VERT	Horizontal silencer, vertical exhaust outlet	□ GYREC004	Goodyear FUELMAX S - Energy rating B depending on size
□ EXST-SSP	Stainless steel exhaust stack - NOT polished	□ MIREC003	Michelin X-LINE Energy - Fuel tyre Recommendation 3
□ EXST-ST	Steel exhaust stack	□ SPWT-D	Spare wheel & tyre with rear tyre pattern
□ HS-NAR	Narrow heat shield	□ SPWT-F	Spare wheel & tyre with front tyre pattern
□ WHC-FIX2	Two fixed wheel chocks	□ SWCP-R	Rear mounted spare wheel carrier
□ WHC-FOL2	Two foldable wheel chocks	□ SWCP-T	Spare wheel supplied temporarily strapped to chassis
□ WHCP-F	Wheel chock(s) stored in the front part of the vehicle	□ SWCP-TP	Temporary spare wheel carrier on top of chassis frame
□ WHCP-M	Wheel chock(s) stored in the middle part of the vehicle	□ JACK-12T	12 tonne bottle jack
□ WHCP-R	Wheel chock(s) stored in the rear part of the vehicle	■ TOOL-BAS	Basic Toolkit
□ WHCP-T	Transport mounted wheel chock(s) stored in cab outer luggage locker	□ TOOLKIT	Complete tool kit
□ CHAIN-S	Snow chains	□ INFLAHOS	Tyre inflation hose
□ HOOK-SC	Snow chain hooks	□ GAUGE-TP	Tyre pressure gauge
■ TOWF-NO1	One front towing device	DRIVELINE EQUIPMENT	
□ TOWF-NO2	Two front towing devices	□ TRAP-HD	Reinforced gearbox application
□ TOWMBRH	Towing member, high mounted in centre of frame, D = 190	□ TP-CON	Construction Package
□ TOWMBRL1	Towing member, low mounted under the frame	□ TP-DIST	Distribution Package
□ TOWMBRM	Towing member, medium mounted in line with frame lower flange	□ TP-LONG	Long Haul Package
□ RFEC-L	Rear frame end, lower flange cut for centre axle drawbar.	□ AMSO-AUT	Enhanced I-shift software with manual shift available in auto mode and kickdown facility on accelerator pedal
■ RFEC-S	Rear frame end, straight cut for regular platform applications	□ AVO-ENH	Enhanced software for off road driveability and starting
□ RFEC-U	Rear frame end, upper cut for tipper applications.	□ APF-ENH	I-shift enhanced PTO functions
□ C-RI4040	Towing coupling, Ringfeder 4040 G-150	□ RET-TH	Gearbox mounted retarder
□ C-RI5055	Towing coupling, Ringfeder 5055 G-150	□ RET-TPT	Hydraulic Retarder for Powertronic gearbox
□ C-RO400G	Towing coupling, Rockinger 400 G-150 for 40mm eyes	□ TC-MAOH2	Extra high performance transmission oil cooler - air to oil with front mounted radiator
□ C-RO50	Rockinger RO 50 50mm for centre axle trailer	□ TC-MWO	Basic transmission oil cooler - water to oil
■ TREL-PK	Trailer electrical preparation kit - chassis/cab wiring	□ 2COM1100	Two cylinder, air compressor, 1100 litres per minute
□ TREL14	Single 14 pole electrical trailer connector	■ 2COMP900	Two cylinder, air compressor, 900 litres per minute
□ TREL15	Single 15 pole electrical trailer connector - ADR certified	□ CLU-AIRC	Clutchable air compressor
□ TREL7	7 pole - 24N trailer electrical suzie	■ AIRIN-HI	Roof mounted air intake behind cab on left hand side
□ TREL7-7	24N and 24S trailer electrical suzies	□ AIRIN-LO	Low level air intake behind cab on left hand side
□ TBC-DUO	Duomatic type air line connectors	□ ACL1ST-S	Two stage air filter
□ TBC-EC	Palm coupling type air line connectors	■ 24AL110B	110 amp alternator
□ TRBR-HCF	Full pressure hand controlled trailer brake	□ 24AL120B	120 amp alternator
□ TRBR-STA	Stationary trailer brake control	□ 24AL150B	150 amp alternator
□ TRB-STRE	Stretch Brake - Automatic low speed trailer brake activation to avoid jack-knifing and improve steerability	■ CCV-C	Closed crankcase engine ventilation
□ RUP-FOLD	Folding EC approved aluminium rear underrun	□ CCV-OX	Closed crankcase ventilation for cold markets
□ RFEND-B	Three piece EC approved rear mud wings and spray flaps	■ PRIM-EL	Electrical priming pump
□ RFEND-T	Rear mud wings, transport mounted	□ PRIM-MAN	Manual priming pump
■ RFH-BAS	Basic rear wing height	□ FUEQ-EH	Fuel line electric heater
□ RFH-HIG	High rear wing height - higher wing tops	□ AF-R	Hot fuel recirculation heated fuel filter
□ RFH-LOW	Lower rear wing height - shallower wing tops		
□ ATANK-AL	Aluminium air tanks		
■ ATANK-ST	Steel air tanks		
■ TL-LED	Rear lights LED		
□ BLIGHT-E	Emergency brake light		

WHEELS & TYRES

- Standard Equipment □ Optional Equipment

For more detailed information about cab and powertrain equipment, please refer to separate specification sheets.

For all possible options and combinations of options please consult your Volvo sales contact who can create a specification to match your requirements using the Volvo Sales Support system (VSS).

The factory reserves the right to modify design and change equipment without previous notification. The specification can vary from country to country.

MODEL RANGE

FM 11 6x2 Platform - X-Low - Car Transporter - Rear Air Suspension FM 62 PR1XA

- FUEFE2LW** Large engine mounted dual fuel filter with water separator
- FUEFE2SW** Small engine mounted dual fuel filter with water separator
- EST-AID** Air inlet manifold starting heater element
- 220EBH15** 220V/1.5Kw electric engine block heater
- PTER-100** Rear engine mounted power-take-off with DIN 100 / ISO 7646 flange
- PTER-DIN** Rear engine mounted PTO with DIN5462 (female) splined shaft for a close coupled pump.
Models with 3 steering axles will use this to drive the steering pump (AUXPSP)
- PTER1400** Rear engine mounted power-take-off with SAE 1410 flange
- HPE-F101** Parker F1-101, engine mounted, fixed displacement, single flow, engine mounted hydraulic pump
- HPE-F41** Parker F1-41, engine mounted, fixed displacement, single flow, engine mounted hydraulic pump
- HPE-F51** Parker F1-51, engine mounted, fixed displacement, single flow, engine mounted hydraulic pump
- HPE-F61** Parker F1-61, engine mounted, fixed displacement, single flow, engine mounted hydraulic pump
- HPE-F81** Parker F1-81, engine mounted, fixed displacement, single flow, engine mounted hydraulic pump
- HPE-T53** Parker F2-53/53, engine mounted, Fixed displacement, Twin flow engine mounted hydraulic pump
- HPE-T70** Parker F2-70/35, engine mounted, Fixed displacement, Twin flow engine mounted hydraulic pump
- HPE-V45** Parker VP1-45, variable displacement, single flow, engine mounted hydraulic pump
- HPE-V75** Parker VP1-75, variable displacement, single flow, engine mounted hydraulic pump
- PTR-D** Gearbox PTO for plug-in pump, 0.71xeng speed
- PTR-DH** Gearbox driven high speed PTO for one plug-in hydraulic pump
- PTR-DM** Gearbox driven medium speed PTO for one plug-in hydraulic pump
- PTR-F** Gearbox driven PTO with rear flange connection
- PTR-FH** Gearbox driven high speed PTO with SAE drive flange
- PTR-FL** Gearbox driven low speed PTO with SAE drive flange
- PTRD-D** Gearbox driven HIGH SPEED PTO for two plug-in hydraulic pumps
- PTRD-D1** PTRD-D1 Gearbox driven HIGH SPEED PTO (1 SAE flange & 1 plug-in hydraulic pump)
- PTRD-D2** Gearbox driven HIGH SPEED PTO (2 SAE flanges & 1 plug-in hyd pump)
- PTRD-F** PTO with 1 DIN + 1 flange connection rear, manual gearbox
- HPG-F101** Parker F1-101 gearbox mounted, fixed displacement, single flow, hydraulic pump
- HPG-F41** Parker F1-41 gearbox mounted, fixed displacement, single flow, hydraulic pump
- HPG-F51** Parker F1-51 gearbox mounted, fixed displacement, single flow, hydraulic pump
- HPG-F61** Parker F1-61 gearbox mounted, fixed displacement, single flow, hydraulic pump
- HPG-F81** Parker F1-81 gearbox mounted, fixed displacement, single flow, hydraulic pump
- EIDLESD** Engine idle shut down
- DTRI-PER** Dashboard in darker peregrine greyish brown. Steering wheel grey and door panels in light beige for FH and black for FH16.
- STWPOS-R** RIGHT HAND DRIVE
- STWM-LE** Leather steering wheel
- STGW-AD2** Adjustable steering wheel with neck tilt
- STGW-ADJ** Adjustable steering wheel
- AIRBAG** SRS Driver's air bag
- DRC-AMII** DPF Regeneration control switch - for manual and switching off regeneration
- 1DAYDIG2** Continental VDO DTCO 4.0 smart tachograph
This tachograph can ONLY offer remote download if the option of Dynafleet or an FMS gateway has been specified with this order.
- 1DAYDIGP** Continental VDO DTCO 3.0 digital tachograph
For vehicles with long lead time - this includes prep kit for the retrofit of DTCO 4.0 tachograph.
For updating to new legal demand for trick registration from 15th June 2019.
This tachograph can ONLY offer remote download if the option of Dynafleet or an FMS gateway has been specified with this order.
- ARSL** Additional road speed limit - switch in dashboard
- SPEED-DU** Dual speed limiter
- CRUIS-E** Eco cruise control (with eco-roll and I-cruise, controls in steering wheel)
- CRUISEC** Cruise control, standard
- ESP-BAS1** Electronic Stability Control
- ESPC-RO** ESP (Electronic Stability Program) functionality control - Reduced / Off
- HWSS-ACB** Adaptive cruise control ACC with forward collision warning and AEBs advanced emergency brake system
- HWSS-FCB** Forward collision warning with AEBs advanced emergency brake system
- LSS-DW** Lane departure-warning system
- LCS** Lane change support
- DAS-W** Driver Alert Support system
- RSENS-W** Rain sensing windscreen wipers
- CU-ECC** Electrically controlled air conditioning with sun sensor
- CU-ECC2** Electrically controlled air conditioning with sun sensor, mist sensor, air quality sensor and carbon filter
- CU-MCC** Climate unit with manual controlled air conditioning
- IMMOBIL** Thatcham H2 approved immobiliser
- ALARM-B** Thatcham H1 approved vehicle alarm - Cab only
- ALARM-E** Enhanced vehicle alarm - Thatcham H1 approved - Cab plus external sensor for body/trailer
- ALCOLOCK** Alcolock
- BUPMON** Back up monitor with built in 7" screen on dash and one colour camera supplied loose for fitment by bodybuilder.
Can accommodate up to 4 cameras for TfL Safe Scheme, CLOCS and FORS.
- PHONE-PK** Telephone preparation kit (antenna, antenna attachm. cable incl.)
- WLIFT-AD** Electrical window lift, automatic up/down driver side
- WLIFT-EB** Electrical window lift
- WLIFT-ME** Mechanical window lift
- ISUNS-BS** Side interior sun visor on both sides
- ISUNS-DS** Driver's side interior sun visor
- ISUNF-B** Interior front sun visor without mirror
- ISUNF-MD** Interior front sun visor with mirror on driver side
- ISUNF-RE** Electrically operated textile interior sun blind
- ISUNF-RM** Manually operated textile interior sun blind
- ADFS** Two extra DIN slots in front shelf - can be fitted with card or drawer available as an accessory
- BUPALARM** Reverse alarm
- RTOLL-PK** Road toll PREPARATION kit for trucks operating with "Toll Collect" in Germany
- LOADIND** Load indicator with central dashboard display
- REMC-MF** Multi-function wireless remote control
- FIREXT3S** 3kg fire extinguisher mounted on seat base
- WARNVEST** High visibility warning vest - no sleeves

Standard Equipment

Optional Equipment

For more detailed information about cab and powertrain equipment, please refer to separate specification sheets.

For all possible options and combinations of options please consult your Volvo sales contact who can create a specification to match your requirements using the Volvo Sales Support system (VSS).

The factory reserves the right to modify design and change equipment without previous notification. The specification can vary from country to country.

MODEL RANGE

FM 11 6x2 Platform - X-Low - Car Transporter - Rear Air Suspension FM 62 PR1XA

- AIDKIT** First aid kit
- AIDKIT1B** First aid kit
- WARNLAMP** Portable warning lamp
- LAMP-IN** Inspection lamp
- BULBKIT** Bulb and fuse kit
- WRITEPAD** Writing pad
- UPHTRI10** Seats: Black embossed textile insert with light grey sides, black vinyl side bolster with blue vinyl side insert.
Interior trim: Raven black bunk and curtains & blue textile side walls
- UPHTRI11** Seats: Light grey embossed textile insert, black raven metallic vinyl bolster with red vinyl side insert.
Interior trim: Raven black bunk and curtains & grey vinyl side walls
- UPHTRI12** Seats: Blue soft textile insert, black vinyl bolster.
Interior trim: Raven black bunk and curtains & blue textile side walls
- UPHTRI13** Seats: Dark grey leather insert and black leather bolster.
Interior trim: Raven black bunk and curtains & grey vinyl side walls
- UPHTRI14** Seat: Dark grey leather insert and black leather bolster.
Interior trim: Raven black bunk and curtains & blue textile side walls
- DST-CF4** Driver seat, comfort, suspended, belt in seat
- DST-CF5** Driver seat, comfort, suspended, belt in seat, electrically heated
- DST-CF6** Driver seat, comfort, suspended, belt in seat, electrically heated, ventilated
- SBD-RED** Red seat belts
- SBPRE-DS** Driver seat belt pretensioner
- PST-BAS1** Passenger seat - Fixed non suspended fold up with seatbelt mounted in cab
- PST-BENC** Bench passenger seat
- PST-CF4** Passenger seat - Comfort suspended with seatbelt mounted in seat
- PST-CF5** Passenger seat - Comfort suspended & heated with seatbelt mounted in seat
- PST-STD2** Passenger seat - Fixed non suspended with seatbelt mounted in cab
- PST-STD4** Passenger seat - Standard suspended with seatbelt mounted in cab
- SBPRE-PS** Passenger seat belt pretensioner
- ARM-DBPS** Two armrests on driver seat and one (outer) on passenger seat
- ARMRE-BB** Two armrests on both driver and passenger seat.
- ARMRE-DB** Two armrests, on driver seat only
- ARMRE-PB** Two armrests, on passenger seat only
- ARMRE-PS** Single armrest (next to driver) on passenger seat
- ARU-BAS** Vinyl upholstered armrest
- ARU-LEA** Leather upholstered armrest
- FMAT-RUB** Rubber floor mats
- FMAT-TX2** Textile and rubber floor mats
- LBK-RES** Foldable rest bunk
- LBK70** Lower bunk 700 x2000 mm, fixed
- ULBK** Without lower bunk
- MATL-FI** Firm lower bunk pocket sprung mattress
- MATL-SF** Lower flexizone mattress - semi-firm, pocket springs up to 100kg - 16 stone
- MATL-SO** Lower flexizone mattress - soft, pocket springs up to 85kg - 13.5 stone
- OLMAT-BA** 35mm mattress overlay protector
- OLMAT-PR** 50mm premium mattress overlay protector
- TBK60F** Fixed foldable top bunk 600 x 1900mm
- TBK70F** Fixed foldable top bunk 700 x 1900mm
- PH-CAB2** 1.8kW Air to air night heater
- PH-ENGCA** Engine and cab night heater
- PH-SS** Short stop heater
- SLCP-BAS** Basic sleeper control panel - includes interior light, parking heater, roof hatch and door lock
- SAFE** Safe box for driver's personal items
- ETSB-F** Storage on engine tunnel - on front top
- ETSB-FR** Storage on engine tunnel - on front top and at rear cab wall
- ETSB-FRS** Storage on engine tunnel - on front top & at rear cab wall & storage recessed into tunnel on right hand side
- ETSB-FS** Storage on engine tunnel - on front top and storage recessed into tunnel on right hand side
- ETSB-R** Storage on engine tunnel - box at rear cab wall
- ETSB-RS** Storage on engine tunnel - at rear cab wall and storage recessed into tunnel on right hand side
- ETSB-S** Storage on engine tunnel - recessed into tunnel on right hand side
- RUS-BAS** Rear cab upper storage 154 litres - 300 mm high
- RUS-HIG** Rear cab upper storage 245 litres - 440 mm high
- TABLE** Folding and height adjustable table - on lower bunk
- REF-ICPK** Fridge: engine tunnel mounted preparation kit
- REFR-RUS** Fridge: 28 litre rear upper wall mounted with dividers
- MICRO-PK** Preparation kit for microwave oven (wiring)
- BOTH-D** One bottle holder under dashboard centre section
- COFMA-PK** Coffee maker, preparation kit.
- INLI-BAS** Interior white LED lights - basic
- INLI-NL** Interior white and red night LED light with no dimmer
- INLI-NLD** Interior white and red night LED light with dimmer
- ARL-FLEX** Two flexible reading lamps (snake lamps)
- RH-ECS** Glass roof & escape hatch - Electrically operated
- RH-EE** Without roof hatch -Tinted glass emergency exit ONLY
- RH-ETR** Glass roof & escape hatch - Electrically operated, tinted glass with rear opening
- RH-MSR** Steel roof & escape hatch - Manually operated with rear opening
- RH-MTR** Glass roof & escape hatch - Manually operated, tinted glass with rear opening
- URH** Without roof hatch
- SWIND-BS** Extra side window on both sides behind "B" pillar
- SWIND-PS** Rear side window, passenger side
- VANMIR** Vanity mirror in front shelf
- AS-FUS** Extra shelf in front upper storage compartments
- INFOT-PK** Preparation kit for the mounting of a flat screen TV in cab above the driver's door, includes bracket, electrical and speaker connections

CAB EXTERIOR

- PAICS-B** Basic cab paint - mirrors, sunvisor, instep and bumper supplied in natural finish - grey
- PAICS-C** Complete cab - mirrors, insteps, sunvisor, and bumper finished in cab colour
- GLAS-TIN** Tinted windows.
- AWIND-RF** Rear window
- DGLAS-L** Laminated door glass
- LOCK-MAN** Manual door locking
- LOCK-MRP** Manual door locking with internal remote control (from driver side) of passenger door
- LOCK-REM** Central locking with remote control
- BUMP-B** Plastic front bumper
- BUMP-B2** Steel front bumper
- BUGNET** Insect screen in front of radiator
- CTILT-P-E** Electrically operated hydraulic cab tilt
- CTILT-P-M** Manually operated hydraulic cab tilt

Standard Equipment

Optional Equipment

For more detailed information about cab and powertrain equipment, please refer to separate specification sheets.

For all possible options and combinations of options please consult your Volvo sales contact who can create a specification to match your requirements using the Volvo Sales Support system (VSS).

The factory reserves the right to modify design and change equipment without previous notification. The specification can vary from country to country.

MODEL RANGE

FM 11 6x2 Platform - X-Low - Car Transporter - Rear Air Suspension FM 62 PR1XA

- **FCABS-A** Front cab suspension - Air
- **FCABS-M** Front cab suspension - Mechanical spring
- **RCABS-A** Rear cab suspension - Air
- **RCABS-M** Rear cab suspension - Mechanical spring
- **MIRCOMF2** Electrically heated and operated FMX style main and wide-angle mirror on both sides, with manual passenger kerb mirror. To increase direct vision to the side the main mirrors have no cowlings
- **MIRCOMFM** Electrically heated and operated main with manual wide-angle mirror - both sides - and passenger kerb mirror
- **MIRSTD2** Electrically heated - FMX - main with wide angle mirror on both sides and kerb view mirror on passenger side, to increase direct vision to the side the main mirrors have no cowlings
- **MIRSTDFM** Electrically heated main mirror with wide angle mirror on both sides and kerb view mirror on passenger side
- **AMIR-F20** Auxiliary front view mirror with a 200mm radius
- **SUNV-H** External smoke grey sunvisor
- **AD-ROOF** Roof air deflector
- **AD-SIDEL** Side air deflector extension panels
- **AD-SIDES** Short cab side air deflector for rigid bodywork
- **HL-BASIC** Halogen H7 head lamps
- **HL-BHID** High intensity Bi-Xenon head lamps
- **HL-DBL** Bi-Xenon high intensity discharge and dynamic head lamps. Dipped beam follows the road, activated by a signal from the steering system.
- **HL-CLEAN** Head lamp cleaner - washer jets
- **HLP-ST** Headlamp protection
- **HL-ADJ** Headlight adjustment - Switch in cab
- **DRIVL2** Two spot lamps
- **UDRIVL** Without auxiliary driving lights
- **FOGL-WC** Front fog lights
- **CL-STAT** Static corner lights
- **ASL-RF2** Two Hella H11 70W spotlamps in sign box - only available with the basic headlight and no lower driving lights.
- **ASL-RFPK** Preparation kit for two spotlamps in sign box
- **BEACOA2F** Two front roof mounted amber beacon rotating warning lamps
- **BEACOA2R** Two rear roof mounted (on accessory bracket) amber beacon flashing warning LED lamps
- **BEACON-P** Roof beacon wire preparation
- **BEACONA4** Four roof mounted (2 front/2 rear) amber beacon rotating warning lamps
- **CABPT-R1** Single outlet for roof mounted accessories
- **CABPT-R2** Twin outlets for roof mounted accessories.
- **SPOTP-F** Spotlamp preparation in front, max 280W
- **SPOTP-R** Spotlamp preparation on roof, max 280W
- **SPOTP-RF** Spotlamp preparation on cab roof and in cab front, max 2x280W
- **ROS-IL2** Preparation kit for illuminated roof sign with switch loose in cab, fit after registration
- **CSGN-GTR** "Globetrotter" headboard logo
- **HORN-F1S** Single tone Jericho air horn chassis mounted
- **HORN-R2S** Two roof mounted air horns
- **ANT-CBR** Roof mounted antenna for CB radio, single aerial
- **ACCBR-AP** Front, middle & rear roof mounted accessory brackets
- **ACCBR-F** Front roof mounted accessory bracket
- **ACCBR-FM** Front & middle roof mounted accessory brackets
- **ACCBR-FR** Front & rear roof mounted accessory brackets
- **ACCBR-M** Middle roof mounted accessory bracket
- **ACCBR-R** Rear roof mounted accessory bracket
- **ACCBR-RM** Rear & middle roof mounted accessory brackets
- **REFS-TW** White cab conspicuity markings by packed in cab

- **REFS-TY** Yellow cab conspicuity markings by packed in cab

SUPERSTRUCTURE PREPARATIONS

- **SRWL-PK** Wiring preparation for side & rear work/reverse lamps on side of chassis and a three-position switch, maximum 280W
- **SWL-2FW** Two H3 70W white front chassis mounted (LH/RH side) working lamps and a 2-position switch (On/Off)
- **SWL-2RW** Two H3 70W white rear chassis mounted (LH/RH side) working lamps and a 2-position switch (On/Off)
- **SWL-4W** 4 H3 70W white front (2) & rear (2) chassis mtd (LH/RH side) working lamps & 2-pos switch (On/Off)
- **SWL-PK** Wiring preparation for side work/reverse lamps on side of chassis and a three-position switch, maximum 280W
- **WLC-H2A** Two H3/70W working lamps with amber coloured lens high mounted back of cab
- **WLC-H2W** Two H3/70W white working lamps high mounted on the back of cab
- **WLC-PKCH** Preparation kit (cables and switch) for cab mounted chassis working lamp
- **WLC-PKH** Preparation kit, cables and switch for high mounted working lamps back of cab
- **WLC-PKL** Preparation kit, cables and switch for low mounted working lamps back of cab
- **WLC-PKLH** Preparation kit - cables and switch for low and high mounted working lamps back of cab.
- **ECBB-BAS** Body builder electrical centre without body builder module
- **ECBB-HIG** Body builder electrical centre with body builder module
- **BBCHAS1** One 7-pole connector for Body builder interface
- **BBCHAS3** Three 7-pole connectors for Body builder interface
- **BEPR-T2** Body builder electrical software preparation for tipper with remote control
- **EXSTER** External steering control, with VDS and bodybuilder module
- **TD-BAS** Trailer detection WITHOUT LED sensing
- **TD-LED** Trailer detection with LED sensing
- **FBA-BTF** Lower front body attachments for torsionally flexible - platform body
- **FBA-BTSF** Lower front body attachments for torsionally semi-flexible body - box or curtainsider
- **HBA-FSFB** Holes for body attachments - flexible/semi-flexible body
- **HBA-SB** Holes for body attachments - stiff body
- **RBA-T2** Lower rear body attachments for helper frame
- **AUXL-SPK** Electrical preparation kit - wiring and switch for snow plough lights
- **TAILPRE2** Tail lift preparation kit, wireless remote operation
- **TAILPREP** Taillift preparation kit - cab switch and warning in driver display
- **AESW2** Two Body builder bistable electrical switches (marked AUX1 / AUX2)
- **AESW2PK** 2 Body builder bistable el. switches (marked AUX1/AUX2) and prep. for 4 more switches
- **AUXSW-4** Wiring for 4 extra switches (from Body builder electrical centre to switch positions)

DELIVERY SERVICES

- **TGW-4GWL** GSM/GPRS/4G modem, LTE & WLAN for telematics gateway
- **FMS-PK** Fleet Management System gateway

VOLVO

Volvo Truck Corporation

volvotrucks.com