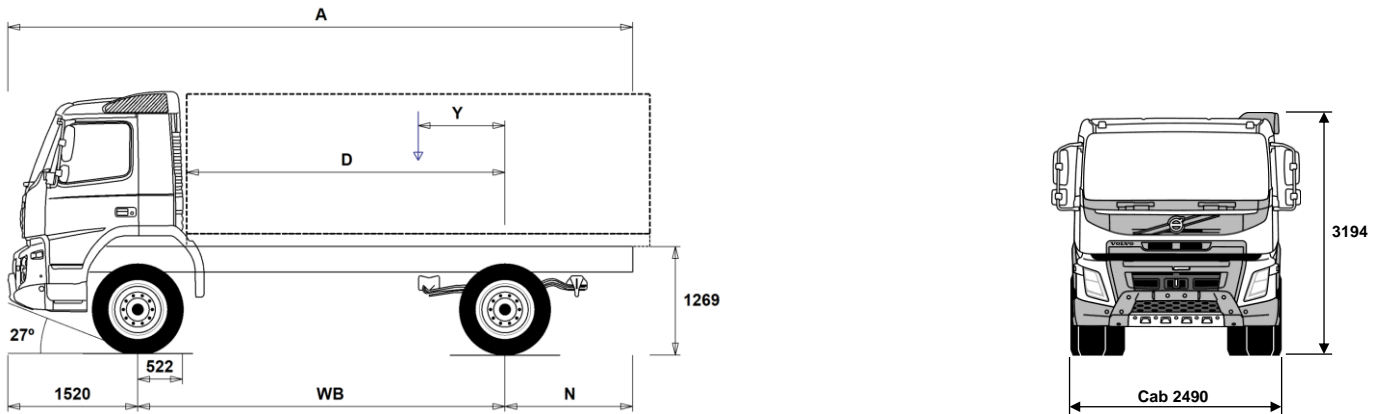


MODEL RANGE



Volvo Trucks. Driving Progress

FMX13 4x4 Rigid - Steel Suspension - N3G FM 44 R3CLX



Chassis Dimensions [mm]

WB Wheelbase	3700	4000	4300	4600	4900
A Overall Chassis Length	7265	7715	8165	8665	9115
D Center of rear axle to front of body	3128	3428	3728	4028	4328
N Rear Overhang (Min.)	1395	1395	1395	1395	1395
N Rear Overhang (Max.)	2045	2195	2345	2545	2695
Y Center of Gravity for Payload (Min.)	494	532	565	602	637
Y Center of Gravity for Payload (Max.)	1017	1098	1176	1258	1338

Chassis Weights [kg]

Front Axle	5120	5125	5145	5155	5165
Rear Axle	2265	2275	2305	2330	2355
Kerb Weight	7385	7400	7450	7485	7520
Payload (including body, driver, fuel, etc.)	10615	10600	10550	10515	10480

Turning Diameter [mm]

Turning Circle Diameter Kerb to Kerb	13400	14300	15200	16100	17100
Turning Circle Diameter Wall to Wall	14800	15800	16700	17600	18500

Plated Weights [kg]

	Plated	Design
Gross Vehicle Weight	18000	21000
Gross Combination Weight	40000	40000
Front Axle	8000	8000
Rear Axle	11500	13000

Important Notes

Chassis Dimensions

Cab Height: +416 mm for CAB-HSLP.
 Front Axle to Back of Cab: +424 mm for CAB-HSLP and CAB-SLP.
 D-measure includes a front clearance of 50 mm and for rigid trucks also a subframe of 100 mm.
 Height can vary ± 20 mm for leaf and ± 10 mm for air suspension.
 All dimensions are for unladen chassis and any tag axles down.
 Rear overhang used for vehicle weight calculation is the maximum rear overhang (N Max.) for selected wheelbase.

Weight and dimensions are based upon the following tyres:

Front Axle Tyres: 315/80R22.5
 Drive Axle Tyres: 315/80R22.5

Chassis weight includes oil, water, AdBlue, 0 litres fuel and without driver. Kerb weight can vary $\pm 3\%$.

Turning diameters are theoretically calculated.

Legal weights can differ from country to country.

For more detailed weight information, including optional equipment weights, ask your Volvo sales contact to enter your specification into the Volvo Weight Information system (WIS).

Do NOT use this drawing for bodybuilding. Refer to Volvo Bodybuilder Instructions and chassis assembly drawing FM44R3CLX.

MODEL RANGE

FMX13 4x4 Rigid - Steel Suspension - N3G FM 44 R3CLX

TRUCK USE

- **RC-ROUGH** Operating class on/off road
- **RC-VROUG** Very rough road conditions
- **TIPP-PRE** Tipper vehicle preparation
- **UNIFORM** Basic platform vehicle

CORE COMPONENTS

- **CHH-XXHI** Chassis height XX High - For a specific loading height always check the unique BEP chassis drawing
- **RAD-L90** 90mm 'S' parabolic rear springs
- **FMX-DAY** Day cab - with steel safety cage design
Designed and built to Swedish impact and ECE R29 regulations
- **FMX-HSLP** Globetrotter cab - with steel safety cage design
Designed and built to Swedish impact and ECE R29 regulations
- **FMX-SLP** Sleeper cab - with steel safety cage design
Designed and built to Swedish impact and ECE R29 regulations
- **EU6SCR** Emission level - Euro 6
- **D13 420S** D13K420 12.8 litre engine developing 420hp at 14-1800rpm.
Peak torque 2100Nm at 860 -1400rpm.
- **D13 460S** D13K460 12.8 litre engine developing 460hp at 14-1800rpm.
Peak torque 2300Nm at 900-1400rpm.
- **D13 500S** D13K500 12.8l engine developing 500hp at 14-1800rpm.
Peak torque 2500Nm at 1000-1400rpm.
- **D13 540S** D13K540 12.8l engine developing 540hp at 14-1800rpm.
Peak torque 2600Nm at 1000-1450rpm.
- **D13K420** D13K420 - 420hp engine
- **D13K460** D13K460 - 460hp engine
- **D13K500** D13K500 - 500hp engine
- **D13K540** D13K540 - 540hp engine
- **EBR-EPG** Exhaust brake controlled by steering column switch
- **EBR-EPGC** Exhaust pressure governor for I shift gearbox
- **EBR-VEB+** Volvo engine brake + and exhaust pressure governor, enhanced performance from additional exhaust rocker control. Retardation 375kW
- **AT2612F** AT2612F 12-speed "I-shift" automated mechanical gearbox suitable for gross train weights up to 60tonne only refer to sales engineering when used in conjunction with a PTO
- **ATO2612F** ATO2612F 12-speed "I-shift" overdrive automated mechanical gearbox suitable for gross train weights up to 60tonne refer to sales engineering when used in conjunction with a PTO
- **PT2606** Powertronic automatic 6-speed gearbox, max. engine torque 2600 Nm, max. permitted GCW 130000 kg
- **RSH1365** RSH1365 hub reduction rear axle with differential lock - design GCW 65 tonne

PACKAGES

- **DRIVEFM** Cab Package: Drive
- **DRIVEFM+** Cab Package: Drive +
- **BEDFM** One bed resting package
- **AUDHIG** High Power Audio system: RDS radio with CD player - also playing MP3/WMA files from CD -, with integrated bluetooth phone and USB/Line inputs. FM/AM antenna, speakers in dashboard, doors, and sleeping compartment.
- **MEDIA** AM/FM Bluetooth radio without CD player.
USB and Aux line inputs.
Speakers in dashboard, doors, and sleeping compartment.
7" touch screen with personal apps.
- **MEDIADF** AM/FM Bluetooth radio without CD player.
USB and Aux line inputs.
Speakers in dashboard, doors, and sleeping compartment.
7" touch screen with personal and professional apps.
Dynafleet vehicle on-board data display with office internet support.

- Standard Equipment
- Optional Equipment

For more detailed information about cab and powertrain equipment, please refer to separate specification sheets.

For all possible options and combinations of options please consult your Volvo sales contact who can create a specification to match your requirements using the Volvo Sales Support system (VSS).

The factory reserves the right to modify design and change equipment without previous notification. The specification can vary from country to country.

- **MEDIANAV** AM/FM Bluetooth radio without CD player.
USB and Aux line inputs.
Speakers in dashboard, doors, and sleeping compartment.
7" touch screen with personal and professional apps.
Truck based satellite navigation (live updates not included)
- **MEDIANDF** AM/FM Bluetooth radio without CD player.
USB and Aux line inputs.
Speakers in dashboard, doors, and sleeping compartment.
7" touch screen with personal and professional apps.
Truck based satellite navigation (live updates not included)
Dynafleet vehicle on-board data display with office internet support.

CHASSIS

- **FST-PAR3** Front suspension type - 3 leaf parabolic springs
- **FAL10.0** Front axle design capacity 10 tonnes - Ensure that you have checked the tyre load index
- **FAL8.0** Front axle design capacity 8.0 tonnes - Ensure that you have checked the tyre load index
- **FAL9.0** Front axle design capacity 9.0 tonnes - Ensure that you have checked the tyre load index
- **FSM-LUB** Lubricated rear shackles on front suspension pins and bushings
- **FSTAB** Front anti-roll bar
- **RAL13** Rear axle design capacity 13 tonnes
- **RSTAB1** Rear anti-roll bar
- **PSP-FIX** Power steering pump with fixed displacement
- **PSP-VAR** Power steering pump with variable displacement
- **AUXPARK** Additional spring parking brakes
- **RST-MUL** Rear Suspension, Multi-leaf springs
- **RST-PAR5** Rear Suspension, Progressive parabolic springs
- **FBREG-E** Front regulating brake valve, EBS
- **FBREG-RP** Front regulating brake valve, reduced pressure/low pressure range
- **FST8080** Frame thickness - web and flange 8.0mm
- **FIL-EEEB** Inner liner from end of engine to end of bogie
- **FIL-EEEF** Inner liner from end of engine to end of frame
- **FIL-TXEB** Inner liner from gearbox member to end of bogie
- **FIL-TXEF** Inner liner from gearbox member to end of frame
- **BBOX-L** Battery box located on left hand side
- **2BAT210B** 2 x 210 Ah capacity Gel batteries
- **2BATT170** 2 x 170 Ah capacity batteries
- **2BATT225** 2 x 225 Ah capacity batteries
- **BATTAMP** Battery voltage and ampere gauge
- **BATTIND** Battery charge indication
- **MSWI-C** Main switch - Chassis mounted toggle switch by battery box
- **MSWI-R** Main switch - Key fob operated remote controlled
- **R315A56** Right aluminium 560 mm D-shaped fuel tank, 315 litres volume
Min volume 255l
Max volume 630l
- **ADTP-L** AdBlue tank on left hand side
- **ADTP-R** AdBlue tank on right hand side
- **ADB048** AdBlue tank usable volume 48 litres
- **ADB064** AdBlue tank usable volume 64 litres
- **ADB068** AdBlue tank usable volume 68 litres
- **ADB090** AdBlue tank usable volume 90 litres
- **FCAP-L** Locking fuel filler cap
- **FUFF-AS** Fuel filling anti-spillage device
- **FUFF-ATS** Fuel filling anti-theft and anti-spillage devices
- **ESH-REAR** Horizontal silencer, rear exhaust outlet
- **ESH-VERT** Horizontal silencer, vertical exhaust outlet
- **EXST-SSP** Stainless steel exhaust stack - NOT polished

MODEL RANGE

FMX13 4x4 Rigid - Steel Suspension - N3G FM 44 R3CLX

<input type="checkbox"/> EXST-ST	Steel exhaust stack	<input type="checkbox"/> TRAP-HD	Reinforced gearbox application
<input type="checkbox"/> WHC-FIX1	One fixed wheel chock	<input type="checkbox"/> TP-CON	Construction Package
<input type="checkbox"/> WHC-FIX2	Two fixed wheel chocks	<input type="checkbox"/> TP-DIST	Distribution Package
<input type="checkbox"/> WHC-FOL1	One foldable wheel chock	<input type="checkbox"/> TP-HD	I-shift software - Heavy duty for high GCW Special conditions apply consult Sales Engineering
<input type="checkbox"/> WHC-FOL2	Two foldable wheel chocks		Long Haul Package
<input type="checkbox"/> WHCP-F	Wheel chock(s) stored in the front part of the vehicle	<input type="checkbox"/> TP-LONG	
<input type="checkbox"/> WHCP-M	Wheel chock(s) stored in the middle part of the vehicle	<input type="checkbox"/> AMSO-AUT	Enhanced I-shift software with manual shift available in auto mode and kickdown facility on accelerator pedal
<input type="checkbox"/> WHCP-R	Wheel chock(s) stored in the rear part of the vehicle		
<input type="checkbox"/> WHCP-T	Transport mounted wheel chock(s) stored in cab outer luggage locker	<input type="checkbox"/> AVO-ENH	Enhanced software for off road driveability and starting
<input type="checkbox"/> TB-L80	Toolbox 800 mm, left side	<input type="checkbox"/> APF-ENH	I-shift enhanced PTO functions
<input type="checkbox"/> TB-R80	Toolbox 800 mm, right side	<input type="checkbox"/> RET-TPT	Hydraulic Retarder for Powertronic gearbox
<input type="checkbox"/> CHAIN-S	Snow chains	<input type="checkbox"/> TC-HWO	Automatic gearbox oil cooler - water to oil
<input type="checkbox"/> HOOK-SC	Snow chain hooks	<input type="checkbox"/> TC-MAOH2	Extra high performance transmission oil cooler - air to oil with front mounted radiator
<input type="checkbox"/> TOWMBRH	Towing member, high mounted in centre of frame, D = 190	<input type="checkbox"/> TC-MWO	Basic transmission oil cooler - water to oil
<input type="checkbox"/> TOWMBRL1	Towing member, low mounted under the frame	<input type="checkbox"/> 1COMP530	Single cylinder, air compressor, 530 litres per minute
<input type="checkbox"/> TOWMBRM	Towing member, medium mounted in line with frame lower flange	<input type="checkbox"/> 2COM1100	Two cylinder, air compressor, 1100 litres per minute
<input type="checkbox"/> RFEC-S	Rear frame end, straight cut for regular platform applications	<input checked="" type="checkbox"/> 2COMP900	Two cylinder, air compressor, 900 litres per minute
<input type="checkbox"/> RFEC-U	Rear frame end, upper cut for tipper applications.	<input type="checkbox"/> CLU-AIRC	Clutchable air compressor
<input type="checkbox"/> C-RI4040	Towing coupling, Ringfeder 4040 G-150	<input checked="" type="checkbox"/> AIRIN-HI	Roof mounted air intake behind cab on left hand side
<input type="checkbox"/> C-RI5055	Towing coupling, Ringfeder 5055 G-150	<input type="checkbox"/> AIRIN-LO	Low level air intake behind cab on left hand side
<input type="checkbox"/> C-RO400G	Towing coupling, Rockinger 400 G-150 for 40mm eyes	<input type="checkbox"/> ACL1ST-S	Two stage air filter
<input type="checkbox"/> C-RO50	Rockinger RO 50 50mm for centre axle trailer	<input checked="" type="checkbox"/> 24AL110B	110 amp alternator
<input type="checkbox"/> TOWR-ONE	Towing hitch attached to rear crossmember	<input type="checkbox"/> 24AL120B	120 amp alternator
<input checked="" type="checkbox"/> TREL-PK	Trailer electrical preparation kit - chassis/cab wiring	<input type="checkbox"/> 24AL150B	150 amp alternator
<input type="checkbox"/> TREL14	Single 14 pole electrical trailer connector	<input checked="" type="checkbox"/> CCV-C	Closed crankcase engine ventilation
<input type="checkbox"/> TREL15	Single 15 pole electrical trailer connector - ADR certified	<input type="checkbox"/> CCV-O	Open crankcase engine breather
<input type="checkbox"/> TREL7	7 pole - 24N trailer electrical suzie	<input type="checkbox"/> CCV-OX	Closed crankcase ventilation for cold markets
<input type="checkbox"/> TREL7-7	24N and 24S trailer electrical suzies	<input checked="" type="checkbox"/> PRIM-EL	Electrical priming pump
<input type="checkbox"/> TBC-DUO	Duomatic type air line connectors	<input type="checkbox"/> PRIM-MAN	Manual priming pump
<input type="checkbox"/> TBC-EC	Palm coupling type air line connectors	<input type="checkbox"/> FUEQ-EH	Fuel line electric heater
<input type="checkbox"/> TRBR-HCF	Full pressure hand controlled trailer brake	<input type="checkbox"/> AF-R	Hot fuel recirculation heated fuel filter
<input type="checkbox"/> TRBR-STA	Stationary trailer brake control	<input type="checkbox"/> FUEFE2LW	Large engine mounted dual fuel filter with water separator
<input type="checkbox"/> RFEND-T	Rear mud wings, transport mounted	<input checked="" type="checkbox"/> FUEFE2SW	Small engine mounted dual fuel filter with water separator
<input type="checkbox"/> RFH-BAS	Basic rear wing height	<input type="checkbox"/> EST-AID	Air inlet manifold starting heater element
<input type="checkbox"/> RFH-HIG	High rear wing height - higher wing tops	<input type="checkbox"/> 220EBH15	220V/1.5Kw electric engine block heater
<input type="checkbox"/> RFH-LOW	Lower rear wing height - shallower wing tops	<input type="checkbox"/> PTER-100	Rear engine mounted power-take-off with DIN 100 / ISO 7646 flange
<input checked="" type="checkbox"/> TL-LED	Rear lights LED	<input type="checkbox"/> PTER-DIN	Rear engine mounted PTO with DIN5462 (female) splined shaft for a close coupled pump. Models with 3 steering axles will use this to drive the steering pump (AUXPSP)
<input type="checkbox"/> BLIGHT-E	Emergency brake light	<input type="checkbox"/> PTER1400	Rear engine mounted power-take-off with SAE 1410 flange
WHEELS & TYRES			
<input checked="" type="checkbox"/> RT-STEEL	Steel rims on all axles	<input type="checkbox"/> HPE-F101	Parker F1-101, engine mounted, fixed displacement, single flow, engine mounted hydraulic pump
<input type="checkbox"/> SPWT-D	Spare wheel & tyre with rear tyre pattern	<input type="checkbox"/> HPE-F41	Parker F1-41, engine mounted, fixed displacement, single flow, engine mounted hydraulic pump
<input type="checkbox"/> SPWT-F	Spare wheel & tyre with front tyre pattern	<input type="checkbox"/> HPE-F51	Parker F1-51, engine mounted, fixed displacement, single flow, engine mounted hydraulic pump
<input type="checkbox"/> SWCP-R	Rear mounted spare wheel carrier	<input type="checkbox"/> HPE-F61	Parker F1-61, engine mounted, fixed displacement, single flow, engine mounted hydraulic pump
<input type="checkbox"/> SWCP-T	Spare wheel supplied temporarily strapped to chassis	<input type="checkbox"/> HPE-F81	Parker F1-81, engine mounted, fixed displacement, single flow, engine mounted hydraulic pump
<input type="checkbox"/> SWCP-TP	Temporary spare wheel carrier on top of chassis frame	<input type="checkbox"/> HPE-T53	Parker F2-53/53, engine mounted, Fixed displacement, Twin flow engine mounted hydraulic pump
<input type="checkbox"/> JACK-20T	20 tonne bottle jack	<input type="checkbox"/> HPE-T70	Parker F2-70/35, engine mounted, Fixed displacement, Twin flow engine mounted hydraulic pump
<input checked="" type="checkbox"/> TOOL-BAS	Basic Toolkit	<input type="checkbox"/> HPE-V45	Parker VP1-45, variable displacement, single flow, engine mounted hydraulic pump
<input type="checkbox"/> TOOLKIT	Complete tool kit	<input type="checkbox"/> HPE-V75	Parker VP1-75, variable displacement, single flow, engine mounted hydraulic pump
<input type="checkbox"/> INFLAHOS	Tyre inflation hose	<input type="checkbox"/> PTPT-D	Powertronic PTO, 1 front/upper DIN connection for plug-in pump (max. 850 Nm)
<input type="checkbox"/> GAUGE-TP	Tyre pressure gauge		
DRIVELINE EQUIPMENT			
<input type="checkbox"/> ASO-C	Crawler gear - Ratio direct top gearbox 19:1 Ratio Overdrive gearbox 17:1		
<input type="checkbox"/> ASO-ULC	Ultra low crawler and crawler gear - Ratios direct top gearbox 32:1 and 19:1 Ratios Overdrive box 32:1 and 17:1		
<input checked="" type="checkbox"/> Standard Equipment		<input type="checkbox"/> Optional Equipment	

For more detailed information about cab and powertrain equipment, please refer to separate specification sheets.

For all possible options and combinations of options please consult your Volvo sales contact who can create a specification to match your requirements using the Volvo Sales Support system (VSS).

The factory reserves the right to modify design and change equipment without previous notification. The specification can vary from country to country.

MODEL RANGE

FMX13 4x4 Rigid - Steel Suspension - N3G FM 44 R3CLX

- | | |
|--|---|
| <ul style="list-style-type: none"> <input type="checkbox"/> PTPT-F Powertronic PTO, 1 front/upper rear facing SAE flange conn. for prop shaft (max.850 Nm) <input type="checkbox"/> PTR-D Gearbox PTO for plug-in pump, 0.71xeng speed <input type="checkbox"/> PTR-DH Gearbox driven high speed PTO for one plug-in hydraulic pump <input type="checkbox"/> PTR-DM Gearbox driven medium speed PTO for one plug-in hydraulic pump <input type="checkbox"/> PTR-F Gearbox driven PTO with rear flange connection <input type="checkbox"/> PTRD-D Gearbox driven HIGH SPEED PTO for two plug-in hydraulic pumps <input type="checkbox"/> PTRD-D1 PTRD-D1 Gearbox driven HIGH SPEED PTO (1 SAE flange & 1 plug-in hydraulic pump) <input type="checkbox"/> PTRD-D2 Gearbox driven HIGH SPEED PTO (2 SAE flanges & 1 plug-in hyd pump) <input type="checkbox"/> HPG-F101 Parker F1-101 gearbox mounted, fixed displacement, single flow, hydraulic pump <input type="checkbox"/> HPG-F41 Parker F1-41 gearbox mounted, fixed displacement, single flow, hydraulic pump <input type="checkbox"/> HPG-F51 Parker F1-51 gearbox mounted, fixed displacement, single flow, hydraulic pump <input type="checkbox"/> HPG-F61 Parker F1-61 gearbox mounted, fixed displacement, single flow, hydraulic pump <input type="checkbox"/> HPG-F81 Parker F1-81 gearbox mounted, fixed displacement, single flow, hydraulic pump <input type="checkbox"/> EIDLESD Engine idle shut down <input checked="" type="checkbox"/> STWPOS-R RIGHT HAND DRIVE <input type="checkbox"/> STWM-LE Leather steering wheel <input type="checkbox"/> STGW-AD2 Adjustable steering wheel with neck tilt <input checked="" type="checkbox"/> AIRBAG SRS Driver's air bag <input checked="" type="checkbox"/> DRC-AMII DPF Regeneration control switch - for manual and switching off regeneration <input checked="" type="checkbox"/> 1DAYDIG2 Continental VDO DTCO 4.0 smart tachograph
This tachograph can ONLY offer remote download if the option of Dynafleet or an FMS gateway has been specified with this order. <input type="checkbox"/> 1DAYDIGP Continental VDO DTCO 3.0 digital tachograph
For vehicles with long lead time - this includes prep kit for the retrofit of DTCO 4.0 tachograph.
For updating to new legal demand for truck registration from 15th June 2019.
This tachograph can ONLY offer remote download if the option of Dynafleet or an FMS gateway has been specified with this order. <input type="checkbox"/> ARSL Additional road speed limit - switch in dashboard <input type="checkbox"/> CRUIS-E Eco cruise control (with eco-roll and I-cruise, controls in steering wheel) <input checked="" type="checkbox"/> CRUISEC Cruise control, standard <input type="checkbox"/> RSENS-W Rain sensing windscreen wipers <input type="checkbox"/> CU-ECC Electrically controlled air conditioning with sun sensor <input type="checkbox"/> CU-ECC2 Electrically controlled air conditioning with sun sensor, mist sensor, air quality sensor and carbon filter <input checked="" type="checkbox"/> CU-MCC Climate unit with manual controlled air conditioning <input checked="" type="checkbox"/> IMMOBIL Thatcham H2 approved immobiliser <input type="checkbox"/> ALARM-B Thatcham H1 approved vehicle alarm - Cab only <input type="checkbox"/> ALARM-E Enhanced vehicle alarm - Thatcham H1 approved - Cab plus external sensor for body/trailer <input type="checkbox"/> ALCOLOCK Alcolock <input type="checkbox"/> BUPMON Back up monitor with built in 7" screen on dash and one colour camera supplied loose for fitment by bodybuilder.
Can accommodate up to 4 cameras for TfL Safe Scheme, CLOCS and FORS. <input type="checkbox"/> PHONE-PK Telephone preparation kit (antenna, antenna attachm. cable incl.) | <ul style="list-style-type: none"> <input type="checkbox"/> WLIFT-AD Electrical window lift, automatic up/down driver side <input checked="" type="checkbox"/> WLIFT-EB Electrical window lift <input type="checkbox"/> WLIFT-ME Mechanical window lift <input type="checkbox"/> ISUNS-BS Side interior sun visor on both sides <input checked="" type="checkbox"/> ISUNS-DS Driver's side interior sun visor <input checked="" type="checkbox"/> ISUNF-B Interior front sun visor without mirror <input type="checkbox"/> ISUNF-MD Interior front sun visor with mirror on driver side <input type="checkbox"/> ISUNF-RE Electrically operated textile interior sun blind <input type="checkbox"/> ISUNF-RM Manually operated textile interior sun blind <input type="checkbox"/> ADFS Two extra DIN slots in front shelf - can be fitted with card or drawer available as an accessory <input checked="" type="checkbox"/> BUPALARM Reverse alarm <input type="checkbox"/> RTOLL-PK Road toll PREPARATION kit for trucks operating with "Toll Collect" in Germany <input type="checkbox"/> REMC-MF Multi-function wireless remote control <input type="checkbox"/> FIREXT3S 3kg fire extinguisher mounted on seat base <input type="checkbox"/> WARNVEST High visibility warning vest - no sleeves <input type="checkbox"/> AIDKIT First aid kit <input type="checkbox"/> AIDKIT1B First aid kit <input type="checkbox"/> WARNLAMP Portable warning lamp <input type="checkbox"/> LAMP-IN Inspection lamp <input type="checkbox"/> BULBKIT Bulb and fuse kit <input type="checkbox"/> WRITEPAD Writing pad <input type="checkbox"/> UPHTRI10 Seats: Black embossed textile insert with light grey sides, black vinyl side bolster with blue vinyl side insert.
Interior trim: Raven black bunk and curtains & blue textile side walls <input checked="" type="checkbox"/> UPHTRI11 Seats: Light grey embossed textile insert, black raven metallic vinyl bolster with red vinyl side insert.
Interior trim: Raven black bunk and curtains & grey vinyl side walls <input type="checkbox"/> UPHTRI12 Seats: Blue soft textile insert, black vinyl bolster.
Interior trim: Raven black bunk and curtains & blue textile side walls <input type="checkbox"/> UPHTRI13 Seats: Dark grey leather insert and black leather bolster.
Interior trim: Raven black bunk and curtains & grey vinyl side walls <input type="checkbox"/> UPHTRI14 Seat: Dark grey leather insert and black leather bolster.
Interior trim: Raven black bunk and curtains & blue textile side walls <input checked="" type="checkbox"/> DST-CF4 Driver seat, comfort, suspended, belt in seat <input type="checkbox"/> DST-CF5 Driver seat, comfort, suspended, belt in seat, electrically heated <input type="checkbox"/> DST-CF6 Driver seat, comfort, suspended, belt in seat, electrically heated, ventilated <input type="checkbox"/> SBD-RED Red seat belts <input type="checkbox"/> SBPRE-DS Driver seat belt pretensioner <input checked="" type="checkbox"/> PST-BAS1 Passenger seat - Fixed non suspended fold up with seatbelt mounted in cab <input type="checkbox"/> PST-BENC Bench passenger seat <input type="checkbox"/> PST-CF4 Passenger seat - Comfort suspended with seatbelt mounted in seat <input type="checkbox"/> PST-CF5 Passenger seat - Comfort suspended & heated with seatbelt mounted in seat <input type="checkbox"/> PST-STD2 Passenger seat - Fixed non suspended with seatbelt mounted in cab <input type="checkbox"/> PST-STD4 Passenger seat - Standard suspended with seatbelt mounted in cab <input type="checkbox"/> SBPRE-PS Passenger seat belt pretensioner <input type="checkbox"/> ARM-DBPS Two armrests on driver seat and one (outer) on passenger seat <input type="checkbox"/> ARMRE-BB Two armrests on both driver and passenger seat. <input type="checkbox"/> ARMRE-DB Two armrests, on driver seat only <input type="checkbox"/> ARMRE-PB Two armrests, on passenger seat only |
|--|---|

Standard Equipment

Optional Equipment

For more detailed information about cab and powertrain equipment, please refer to separate specification sheets.

For all possible options and combinations of options please consult your Volvo sales contact who can create a specification to match your requirements using the Volvo Sales Support system (VSS).

The factory reserves the right to modify design and change equipment without previous notification. The specification can vary from country to country.

MODEL RANGE

FMX13 4x4 Rigid - Steel Suspension - N3G FM 44 R3CLX

- ARMRE-PS** Single armrest (next to driver) on passenger seat
 - ARU-BAS** Vinyl upholstered armrest
 - ARU-LEA** Leather upholstered armrest
 - FMAT-RU2** Rubber floor mats, extended
 - FMAT-RUB** Rubber floor mats
 - FMAT-T2E**
 - FMAT-TX2** Textile and rubber floor mats
 - LBK-RES** Foldable rest bunk
 - LBK70** Lower bunk 700 x2000 mm, fixed
 - ULBK** Without lower bunk
 - MATL-FI** Firm lower bunk pocket sprung mattress
 - MATL-SF** Lower flexizone mattress - semi-firm, pocket springs up to 100kg - 16 stone
 - MATL-SO** Lower flexizone mattress - soft, pocket springs up to 85kg - 13.5 stone
 - OLMAT-BA** 35mm mattress overlay protector
 - OLMAT-PR** 50mm premium mattress overlay protector
 - TBK60F** Fixed foldable top bunk 600 x 1900mm
 - TBK70F** Fixed foldable top bunk 700 x 1900mm
 - PH-CAB2** 1.8kW Air to air night heater
 - PH-ENGCA** Engine and cab night heater
 - PH-SS** Short stop heater
 - SLCP-BAS** Basic sleeper control panel - includes interior light, parking heater, roof hatch and door lock
 - SAFE** Safe box for driver's personal items
 - ETSB-F** Storage on engine tunnel - on front top
 - ETSB-FR** Storage on engine tunnel - on front top and at rear cab wall
 - ETSB-FRS** Storage on engine tunnel - on front top & at rear cab wall & storage recessed into tunnel on right hand side
 - ETSB-FS** Storage on engine tunnel - on front top and storage recessed into tunnel on right hand side
 - ETSB-R** Storage on engine tunnel - box at rear cab wall
 - ETSB-RS** Storage on engine tunnel - at rear cab wall and storage recessed into tunnel on right hand side
 - ETSB-S** Storage on engine tunnel - recessed into tunnel on right hand side
 - RUS-BAS** Rear cab upper storage 154 litres - 300 mm high
 - RUS-HIG** Rear cab upper storage 245 litres - 440 mm high
 - TABLE** Folding and height adjustable table - on lower bunk
 - REF-ICPK** Fridge: engine tunnel mounted preparation kit
 - MICRO-PK** Preparation kit for microwave oven (wiring)
 - BOTH-D** One bottle holder under dashboard centre section
 - COFMA-PK** Coffee maker, preparation kit.
 - INLI-BAS** Interior white LED lights - basic
 - INLI-NL** Interior white and red night LED light with no dimmer
 - INLI-NLD** Interior white and red night LED light with dimmer
 - ARL-FLEX** Two flexible reading lamps (snake lamps)
 - RH-EE** Without roof hatch -Tinted glass emergency exit ONLY
 - RH-ETR** Glass roof & escape hatch - Electrically operated, tinted glass with rear opening
 - RH-MSR** Steel roof & escape hatch - Manually operated with rear opening
 - RH-MTR** Glass roof & escape hatch - Manually operated, tinted glass with rear opening
 - URH** Without roof hatch
 - SWIND-BS** Extra side window on both sides behind "B" pillar
 - SWIND-PS** Rear side window, passenger side
 - VANMIR** Vanity mirror in front shelf
 - AS-FUS** Extra shelf in front upper storage compartments
 - INFOT-PK** Preparation kit for the mounting of a flat screen TV in cab above the driver's door, includes bracket, electrical and speaker connections
- Standard Equipment Optional Equipment

CAB EXTERIOR

- PAICS-B** Basic cab paint - mirrors, sunvisor, instep and bumper supplied in natural finish - grey
- GLAS-TIN** Tinted windows.
- AWIND-RF** Rear window
- DGLAS-L** Laminated door glass
- LOCK-MAN** Manual door locking
- LOCK-MRP** Manual door locking with internal remote control (from driver side) of passenger door
- LOCK-REM** Central locking with remote control
- AUXFS** Lower swinging cab step
- GUARD-EH** Engine guard to protect sump and engine hoses
- BUGNET** Insect screen in front of radiator
- CTILT-P-E** Electrically operated hydraulic cab tilt
- CTILT-P-M** Manually operated hydraulic cab tilt
- FCABS-A** Front cab suspension - Air
- FCABS-M** Front cab suspension - Mechanical spring
- RCABS-A** Rear cab suspension - Air
- RCABS-M** Rear cab suspension - Mechanical spring
- MIRCOMFX** Electrically heated and operated -FMX- main and wide-angle mirrors with manually adjusted passenger kerb mirror, to increase direct vision to the side the main mirrors have no cowlings
- MIRSTDX** Electrically heated -FMX- main and wide-angle mirrors with manually adjusted passenger kerb mirror, to increase direct vision to the side the main mirrors have no cowlings
- AMIR-F20** Auxiliary front view mirror with a 200mm radius
- SUNV-H** External smoke grey sunvisor
- AD-ROOF** Roof air deflector
- AD-SIDEL** Side air deflector extension panels
- AD-SIDES** Short cab side air deflector for rigid bodywork
- HL-BAS2** Halogen H1 head lamps
- HL-BASIC** Halogen H7 head lamps
- HL-CLEAN** Head lamp cleaner - washer jets
- HLP-ST** Headlamp protection
- HL-ADJ** Headlight adjustment - Switch in cab
- ASL-RF2** Two Hella H11 70W spotlamps in sign box - only available with the basic headlight and no lower driving lights.
- ASL-RFPK** Preparation kit for two spotlamps in sign box
- BEACOA2F** Two front roof mounted amber beacon rotating warning lamps
- BEACOA2R** Two rear roof mounted (on accessory bracket) amber beacon flashing warning LED lamps
- BEACON-P** Roof beacon wire preparation
- BEACONA4** Four roof mounted (2 front/2 rear) amber beacon rotating warning lamps
- CABPT-R1** Single outlet for roof mounted accessories
- CABPT-R2** Twin outlets for roof mounted accessories.
- SPOTP-F** Spotlamp preparation in front, max 280W
- SPOTP-R** Spotlamp preparation on roof, max 280W
- SPOTP-RF** Spotlamp preparation on cab roof and in cab front, max 2x280W
- ROS-IL2** Preparation kit for illuminated roof sign with switch loose in cab, fit after registration
- CSGN-FMX** "Volvo FMX" headboard logo
- HORN-F1S** Single tone Jericho air horn chassis mounted
- HORN-R2S** Two roof mounted air horns
- ANT-CBR** Roof mounted antenna for CB radio, single aerial
- ACCB-R-AP** Front, middle & rear roof mounted accessory brackets

For more detailed information about cab and powertrain equipment, please refer to separate specification sheets.

For all possible options and combinations of options please consult your Volvo sales contact who can create a specification to match your requirements using the Volvo Sales Support system (VSS).

The factory reserves the right to modify design and change equipment without previous notification. The specification can vary from country to country.

MODEL RANGE

FMX13 4x4 Rigid - Steel Suspension - N3G FM 44 R3CLX

- **ACCBR-F** Front roof mounted accessory bracket
- **ACCBR-FM** Front & middle roof mounted accessory brackets
- **ACCBR-FR** Front & rear roof mounted accessory brackets
- **ACCBR-M** Middle roof mounted accessory bracket
- **ACCBR-R** Rear roof mounted accessory bracket
- **ACCBR-RM** Rear & middle roof mounted accessory brackets

- **REFS-TW** White cab conspicuity markings by packed in cab
- **REFS-TY** Yellow cab conspicuity markings by packed in cab

SUPERSTRUCTURE PREPARATIONS

- **SRWL-PK** Wiring preparation for side & rear work/reverse lamps on side of chassis and a three-position switch, maximum 280W
- **SWL-2FW** Two H3 70W white front chassis mounted (LH/RH side) working lamps and a 2-position switch (On/Off)
- **SWL-2RW** Two H3 70W white rear chassis mounted (LH/RH side) working lamps and a 2-position switch (On/Off)
- **SWL-4W** 4 H3 70W white front (2) & rear (2) chassis mtd (LH/RH side) working lamps & 2-pos switch (On/Off)
- **SWL-PK** Wiring preparation for side work/reverse lamps on side of chassis and a three-position switch, maximum 280W

- **WLC-H2A** Two H3/70W working lamps with amber coloured lens high mounted back of cab
- **WLC-H2W** Two H3/70W white working lamps high mounted on the back of cab
- **WLC-PKCH** Preparation kit (cables and switch) for cab mounted chassis working lamp
- **WLC-PKH** Preparation kit, cables and switch for high mounted working lamps back of cab
- **WLC-PKL** Preparation kit, cables and switch for low mounted working lamps back of cab
- **WLC-PKLH** Preparation kit - cables and switch for low and high mounted working lamps back of cab.

- **ECBB-BAS** Body builder electrical centre without body builder module
- **ECBB-HIG** Body builder electrical centre with body builder module

- **BBCHAS1** One 7-pole connector for Body builder interface
- **BBCHAS3** Three 7-pole connectors for Body builder interface

- **BEPR-T2** Body builder electrical software preparation for tipper with remote control

- **TD-BAS** Trailer detection WITHOUT LED sensing
- **TD-LED** Trailer detection with LED sensing

- **FRFS-BS** Frame rail free space on both sides to give space for crane legs or other equipment.

- **FBA-BTF** Lower front body attachments for torsionally flexible - platform body
- **FBA-BTSF** Lower front body attachments for torsionally semi-flexible body - box or curtainsider

- **HBA-FSFB** Holes for body attachments - flexible/semi-flexible body
- **HBA-SB** Holes for body attachments - stiff body

- **RBA-T2** Lower rear body attachments for helper frame

- **AUXL-SPK** Electrical preparation kit - wiring and switch for snow plough lights

- **TAILPRE2** Tail lift preparation kit, wireless remote operation
- **TAILPREP** Taillift preparation kit - cab switch and warning in driver display

- **AESW2** Two Body builder bistable electrical switches (marked AUX1 / AUX2)
- **AESW2PK** 2 Body builder bistable el.switches (marked AUX1/AUX2) and prep. for 4 more switches

- **AUXSW-4** Wiring for 4 extra switches (from Body builder electrical centre to switch positions)

DELIVERY SERVICES

- **TGW-4GWL** GSM/GPRS/4G modem, LTE & WLAN for telematics gateway
- **FMS-PK** Fleet Management System gateway

VOLVO

Volvo Truck Corporation
volvotrucks.com