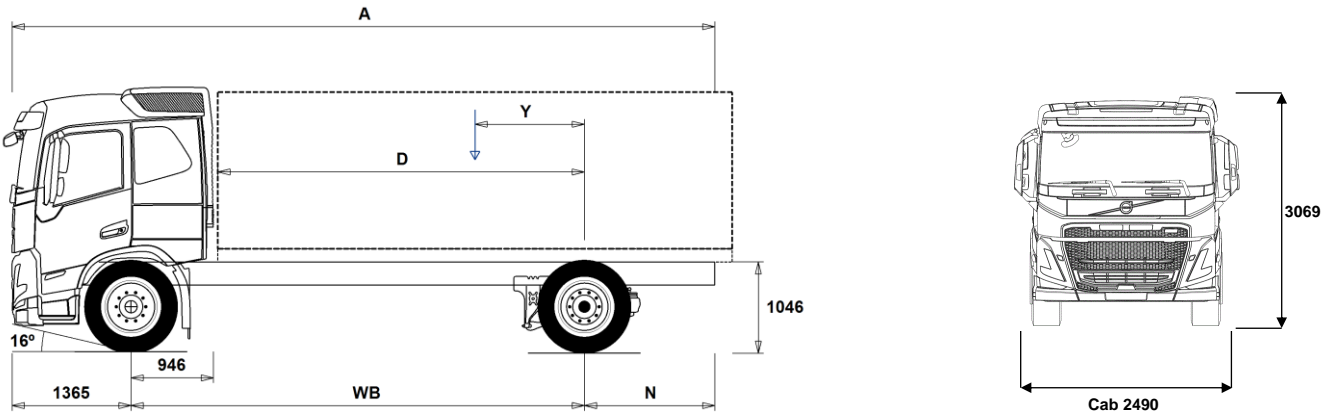


MODEL RANGE



Volvo Trucks. Driving Progress

NEW FM LNG 4x2 Platform - Rear Air Suspension - Contact Regional Business Manager



Chassis Dimensions [mm]

WB Wheelbase	5200
A Overall Chassis Length	8960
D Center of rear axle to front of body	4204
N Rear Overhang (Min.)	1395
N Rear Overhang (Max.)	2395
Y Center of Gravity for Payload (Min.)	804
Y Center of Gravity for Payload (Max.)	1276

Chassis Weights [kg]

Front Axle	4785
Rear Axle	2195
Kerb Weight	6980
Payload (including body, driver, fuel, etc.)	11020

Turning Diameter [mm]

Turning Circle Diameter Kerb to Kerb	18800
Turning Circle Diameter Wall to Wall	20100

Plated Weights [kg]

	Plated	Design
Gross Vehicle Weight	18000	20500
Gross Combination Weight	40000	44000
Front Axle	7500	7500
Rear Axle	11500	13000

Important Notes

Chassis Dimensions

Cab Height: +370 mm for CAB-HSLP, -208 mm for CAB-LSLP.
 Front Axle to Back of Cab: -6 mm for CAB-LSLP.
 D-measure includes a front clearance of 50 mm and for rigid trucks also a subframe of 100 mm.
 Height can vary ± 20 mm for leaf and ± 10 mm for air suspension.
 All dimensions are for unladen chassis and any tag axles down. Chassis height used: CHH-HIGH.
 Rear overhang used for vehicle weight calculation is the maximum rear overhang (N Max.) for selected wheelbase.
 Height change when chassis height CHH-MED,FRAME266: 0 mm.

Weight and dimensions are based upon the following tyres:
 Front Axle Tyres: 315/80R22.5
 Drive Axle Tyres: 315/80R22.5

Chassis weight includes oil, water, AdBlue, 0 litres fuel and without driver. Kerb weight can vary $\pm 3\%$.

Turning diameters are theoretically calculated.

Legal weights can differ from country to country.

For more detailed weight information, including optional equipment weights, ask your Volvo sales contact to enter your specification into the Volvo Weight Information system (WIS).

Do NOT use this drawing for bodybuilding. Refer to Volvo Bodybuilder Instructions and chassis assembly drawing FM42RLA2.

MODEL RANGE

NEW FM LNG 4x2 Platform - Rear Air Suspension - Contact Regional Business Manager

CORE COMPONENTS

- CHH-HIGH** Chassis Height - High - for loading heights check the unique BEP chassis drawing
 - CHH-MED** Chassis Height - Medium - for loading heights check the unique BEP chassis drawing
 - RAD-GR** RAD-GR - 4x2 Air - High
 - FM-HSLP5** Cab - Globetrotter - with steel safety cage design
Designed and built to Swedish impact and ECE R29 regulations
 - FM-LSLP5** Cab - Low sleeper - with steel safety cage design
Designed and built to Swedish impact and ECE R29 regulations
 - FM-SLP5** Cab - Sleeper with steel safety cage design
Designed and built to Swedish impact and ECE R29 regulations
 - G13C420** G13C420 Liquid Natural Gas engine developing 420hp at 1400-1800rpm. Peak torque 2100Nm at 1000 -1400rpm.
 - G13C460** G13C460 Liquid Natural Gas engine developing 460hp at 1700-1800rpm. Peak torque 2300Nm at 1100 -1300rpm.
 - EBR-EPGC** Engine Brake Type - Exhaust pressure governor for I shift gearbox
 - EBR-VEB+** Engine Brake Type - Volvo engine brake + and exhaust pressure governor, enhanced performance from additional exhaust rocker control. Retardation 375kW
 - AT2612F** Gearbox - AT2612F 12-speed "I-shift" automated mechanical suitable for gross train weights up to 60tonne only. Refer to sales engineering when used in conjunction with a PTO
 - ATO2612F** Gearbox - ATO2612F 12-speed "I-shift" overdrive automated mechanical, suitable for gross train weights up to 60tonne. Refer to sales engineering when used in conjunction with a PTO
 - RSH1370F** Drive Axle - RSH1370F 13-tonne hub reduction with differential lock - design GCW 70 tonne
 - RSS1344E** Drive Axle - RSS1344E single reduction with differential lock - design GCW 44 tonne
 - RSS1352A** Drive Axle - RSS1352A single reduction 13 tonne with differential lock - design GCW 52 tonne
 - RSS1356** Drive Axle - RSS1356 13-tonne single reduction with differential lock - design GCW 56 tonne
 - RSS1370A** Drive Axle - RSS1370A single reduction 13 tonne with differential lock - design GCW 70 tonne
 - RSS1370B** Drive Axle - RSS1370B single reduction 13 tonne with differential lock - design GCW 70 tonne
- ### PACKAGES
- FUELPACK** Long Haul Fuel Economy driving package
 - DRIVE5** Drive Package
 - DRIVE5+** Drive + Package
 - DRIVE5++** Drive ++ Package
 - 1LIVINFM** Sleep & Resting Package - Living one-bed
 - 2LIVINFM** Sleep & Resting Package - Living two-bed
 - INFOBAS** Basic media package without secondary display
 - INFODF** Media Information Platform with Dynafleet Support
 - INFOMED** Media Information Platform - Medium level
 - INFONAV** Media Information Platform with Navigation
 - INFONDF** Media Information Platform with Navigation & Dynafleet Support
 - VISI5** Visibility Package
 - VISI5+** Visibility plus Package
 - SAFE-VE** Active Safety Package
 - SAFE-VE+** Active Safety + Package
- ### CHASSIS
- FST-AIR** Front suspension type - Air
 - FST-PAR** Front suspension type - 2 leaf parabolic springs
 - FSLB-BAS** Front suspension levelling - basic stroke
 - FSLB-HI** Front suspension levelling - high stroke for demount operations - check with bodybuilder
 - FAL7.5** Front axle design capacity - 7.5 tonne
 - FAL8.0** Front axle design capacity - 8.0 tonne - check tyre capacity
 - FAL8.5** Front axle design capacity - 8.5 tonnes
 - FAL9.0** Front axle design capacity - 9.0 tonne - check tyre capacity
 - FSTAB** Front anti-roll bar - Normal stiffness
 - FSTAB2** Front anti-roll bar - Medium stiffness
 - FSTAB3** Front anti-roll bar - High stiffness
 - RAL13** Rear axle design capacity - 13 tonne
 - ASF-DL1** Air suspension with 1 driving level
 - ASF-DL3** Air suspension with 3 driving levels
 - ACTST-TO** Active Steering- Volvo Dynamic Steering - VDS - with extra electronic pump and torque overlay
 - ASFE-BAS** Active steering feature - Basic - Volvo Dynamic Steering - VDS - only
 - ASFE-OG** Active steering feature - Volvo Dynamic Steering - VDS - with stability assist - oversteer
 - ASFE-PO** Active steering feature - Volvo Dynamic Steering - VDS - with personal settings and stability assist
 - ASFE-PS** Active steering feature - Volvo Dynamic Steering - VDS - with personal settings
 - PSS-SING** Power steering system - Single
 - PSP-VAR** Power steering pump - Variable displacement
 - EBS-MED** Brake package - EBS medium including "hill" hold function
 - AUXPARK** Auxiliary parking brake - Additional spring brakes
 - FBREG-E** Front regulating brake valve, EBS
 - SUSPL-EC** Remote electronic control on wander-lead for air suspension levelling
 - FRAME266** Chassis frame section external height - 266 mm
 - FRAME300** Chassis frame section external height - 300 mm
 - FST6060** Chassis frame thickness - 6 mm web and flange
 - FST7070** Chassis frame thickness - 7 mm web and flange
 - FST8080** Chassis frame thickness - 8 mm web and flange
 - FIL-EEEB** Chassis frame inner liner - From the end of the engine to the end of the bogie
 - FIL-EEEF** Chassis frame inner liner - From the end of the engine to end of the frame
 - FIL-TXEB** Chassis frame inner liner - From gearbox member to the end of the bogie
 - FIL-TXEF** Chassis frame inner liner - From gearbox member to the end of the frame
 - BBOX-L** Battery box position - Left hand side
 - BATS-S** Single energy battery system (2 batteries)
 - 2BAT210C** Battery Capacity - 2 x 210 Ah - AGM Absorbent Glass-fibre Material type
 - BATTAMP** Battery management - Voltage and current gauge
 - BATTIND** Battery management - Charge indicator
 - ADR1** ADR package for transportation of dangerous goods on road (Note does NOT include safe loading pass package if required this is quoted separately)
 - ADR2** ADR Adaptation - For transportation of dangerous goods on the road - Note does NOT include safe loading pass package if required this is quoted separately
 - MSWI-A** Battery master switch - ADR switch circuit shut down
 - MSWI-C** Battery master switch - Chassis mounted toggle by the battery box
 - MSWI-R** Battery master switch - Key fob operated remote controlled
 - R170A71** Right fuel tank - 170litre aluminium diameter 710mm
Min volume 170l
Max volume 170l
 - ADTP-R** Adblue tank position - Chassis mounted on the right-hand side

■ Standard Equipment

□ Optional Equipment

For more detailed information about cab and powertrain equipment, please refer to separate specification sheets.

For all possible options and combinations of options please consult your Volvo sales contact who can create a specification to match your requirements using the Volvo Sales Support system (VSS).

The factory reserves the right to modify design and change equipment without previous notification. The specification can vary from country to country.

MODEL RANGE

NEW FM LNG 4x2 Platform - Rear Air Suspension - Contact Regional Business Manager

- **ADB064** Plastic AdBlue tank - 64 litre
 - **FCAP-L** Diesel and AdBlue filler cap - Locking
 - **FUFF-AS** Fuel filler - Anti-spill device
 - **FUFF-ATS** Fuel filler - Anti-spill & anti-syphon device
 - **LGAS205** Left mounted 205 kilogram gas tank
 - **ESH-LEFT** Exhaust - Horizontal silencer - left outlet
 - **ESH-REAR** Exhaust - Horizontal silencer - rear outlet
 - **ESH-RIGH** Exhaust - Horizontal silencer - right outlet
 - **HS-NAR** Narrow heat shield
 - **WHC-FIX1** Wheel chock - One fixed design
 - **WHC-FIX2** Wheel chocks - Two fixed design
 - **WHC-FOL1** One foldable wheel chock
 - **WHC-FOL2** Two foldable wheel chocks
 - **WHCP-F** Wheel chock carrier position - In the front part of the vehicle
 - **WHCP-R** Wheel chock carrier position - In the rear part of the vehicle
 - **WHCP-T** Wheel chock carrier position - Outer luggage locker
 - **TB-R80** Toolbox 800 mm, right side
 - **CHAIN-S** Snow chains
 - **HOOK-SC** Snow chain hooks
 - **TOWF-NO1** Front towing device - One detachable - stored in cab
 - **TOWF-NO2** Front towing device - Two detachable - stored in cab
 - **TOWMBRH** Towing member, high mounted in centre of frame, D = 190
 - **TOWMBRL1** Towing member, low mounted under the frame
 - **TOWMBRL2** Towing member, low and forward mounted under the frame
 - **TOWMBRL3** Towing member, low and far forward mounted under the frame
 - **TOWMBRM** Towing member, medium mounted in line with frame lower flange
 - **RFEC-L** Rear frame profile - Lower flange cut for centre axle drawbar
 - **RFEC-S** Rear frame profile - Straight cut
 - **RFEC-U** Rear frame profile - Slight uppercut for tipper
 - **C-RI4040** Towing coupling, Ringfeder 4040 G-150
 - **C-RI5055** Towing coupling, Ringfeder 5055 G-150
 - **C-RO400G** Towing coupling, Rockinger 400 G-150 for 40mm eyes
 - **C-RO50** Rockinger RO 50 50mm for centre axle trailer
 - **TOWR-ONE** Towing hitch attached to rear crossmember
 - **TREL-PK** Trailer electrical preparation kit - chassis/cab wiring
 - **TREL14** Single 14 pole electrical trailer connector
 - **TREL15** Trailer electrical connection - Single 15 pin - ADR certified
 - **TREL7** 7 pole - 24N trailer electrical suzie
 - **TREL7-7** Trailer electrical connection - 2 x 7 pin - 24N and 24S
 - **TBC-DUO** Duomatic type air line connectors
 - **TBC-EC** Trailer brakes with EC palm coupling connectors
 - **TRBR-HCF** Full pressure hand controlled trailer brake
 - **TRBR-STA** Stationary trailer brake control
 - **TRB-STRE** Stretch Brake - Automatic low speed trailer brake activation to avoid jack-knifing and improve steerability
 - **RUP-FOLD** Rear underrun protection - Aluminium folding EC approved
 - **RFEND-B** Three piece EC approved rear mud wings and spray flaps
 - **RFEND-T** Rear mud wings - Temporary on drive axle for transport delivery only
 - **RFH-BAS** Basic rear wing height
 - **RFH-HIG** High rear wing height - higher wing tops
 - **RFH-LOW** Lower rear wing height - shallower wing tops
 - **ATANK-AL** Air tanks - Aluminium
 - **ATANK-ST** Air tanks - Steel
 - **TL-LED** Rear lights - LED
 - **BLIGHT-E** Emergency brake light
 - **RT-AL** Wheels - Alcoa brushed aluminium rims - standard holes for long stud fixing
 - **RT-ALDP** Wheels - Alcoa Dura-Bright aluminium rims - standard holes for long stud fixing
 - **RT-ALDPD** Wheels - Alcoa Dura-Bright EVO aluminium rims - countersunk holes for short stud fixing
 - **RT-ALDU** Wheels - Alcoa brushed aluminium rims - countersunk holes for short stud fixing
 - **RT-STEEL** Wheels - Steel rims
 - **WCAP** Aerodynamic hub caps
 - **SPWT-D** Spare wheel & tyre with rear tyre pattern
 - **SPWT-F** Spare wheel & tyre with front tyre pattern
 - **SWCP-R** Rear mounted spare wheel carrier
 - **SWCP-T** Spare wheel supplied temporarily strapped to chassis
 - **SWCP-TP** Temporary spare wheel carrier on top of chassis frame
 - **JACK-12T** 12 tonne bottle jack
 - **JACK-15T** 15 tonne bottle jack
 - **JACK-20T** 20 tonne bottle jack
 - **TOOL-BAS** Basic Toolkit
 - **TOOLKIT** Complete tool kit
 - **INFLAHOS** Tyre inflation hose
 - **GAUGE-TP** Tyre pressure gauge
- ### DRIVELINE EQUIPMENT
- **TRAP-HD** Reinforced gearbox application
 - **DRM-BE** Balanced & Economy Drive Mode
 - **DRM-E** Economy Drive Mode
 - **PVT-MAP** I-See Predictive Cruise Control - using map based topography information
 - **CRUIS-E** Eco cruise control (with eco-roll and I-cruise, controls in steering wheel)
 - **CRUIS-E4** Eco fleet software - with cruise speed 85, I-See and push button I-shift.
 - **CRUISEC** Cruise control, standard
 - **AMSO-AUT** Enhanced I-shift software with manual shift available in auto mode and kickdown facility on accelerator pedal
 - **AVO-ENH** I-Shift application software - for construction and off road applications
 - **APF-ENH** I-shift enhanced PTO functions
 - **RET-TH** Gearbox mounted retarder
 - **TC-MAO** Basic transmission oil cooler - air to oil
 - **TC-MAOH2** Extra high performance transmission oil cooler - air to oil with front mounted radiator
 - **2COM1100** Air compressor - Two-cylinder 1100 litres per minute
 - **2COMP900** Air compressor - Two-cylinder 900 litres per minute
 - **CLU-AIRC** Clutchable air compressor
 - **AIRIN-HI** Air intake - Roof-mounted behind cab on the left-hand side
 - **AIRIN-LO** Low level air intake behind cab on left hand side
 - **ACL1ST-S** Air filter - two-stage element
 - **24AL110B** Alternator capacity - 110 amp
 - **24AL120B** Alternator capacity - 120 amp alternator
 - **24AL150B** Alternator capacity - 150 amp
 - **CCV-OX** Closed crankcase ventilation for cold markets
 - **PRIM-MAN** Manual priming pump
 - **FUEFE2LW** Large engine mounted dual fuel filter with water separator
 - **EST-AID** Engine starting aid -Preheating element in the air inlet manifold
 - **220EBH15** 220V/1.5Kw electric engine block heater
 - **PTER-DIN** Engine power-take-off - Rear-mounted with DIN5462 (female) splined shaft for a close-coupled pump

WHEELS & TYRES

- Standard Equipment
- Optional Equipment

For more detailed information about cab and powertrain equipment, please refer to separate specification sheets.

For all possible options and combinations of options please consult your Volvo sales contact who can create a specification to match your requirements using the Volvo Sales Support system (VSS).

The factory reserves the right to modify design and change equipment without previous notification. The specification can vary from country to country.

MODEL RANGE

NEW FM LNG 4x2 Platform - Rear Air Suspension - Contact Regional Business Manager

	Models with 3 steering axles will use this to drive the steering pump (AUXPSP)		
<input type="checkbox"/> PTR-D	Gearbox PTO for plug-in pump, 0.71xeng speed	<input type="checkbox"/> PHONE-PK	Telephone preparation kit (antenna, antenna attachm. cable incl.)
<input type="checkbox"/> PTR-DH	Gearbox driven high speed PTO for one plug-in hydraulic pump	<input checked="" type="checkbox"/> WLIFT-AD	Electrical window lift, automatic up/down driver side
<input type="checkbox"/> PTR-DM	Gearbox driven medium speed PTO for one plug-in hydraulic pump	<input type="checkbox"/> WLIFT-EB	Electrical window lift
<input type="checkbox"/> PTR-F	Gearbox driven PTO with rear flange connection	<input type="checkbox"/> WLIFT-ME	Mechanical window lift
<input type="checkbox"/> PTR-FH	Gearbox driven high speed PTO with SAE drive flange	<input type="checkbox"/> ISUNS-BS	Side sun visor - Driver & passenger side
<input type="checkbox"/> PTR-FL	Gearbox driven low speed PTO with SAE drive flange	<input checked="" type="checkbox"/> ISUNS-DS	Side sun visor - Driver-side
<input type="checkbox"/> PTRD-D	Gearbox driven HIGH SPEED PTO for two plug-in hydraulic pumps	<input type="checkbox"/> ISUNF-B	Interior front sun visor without mirror
<input type="checkbox"/> PTRD-D1	PTRD-D1 Gearbox driven HIGH SPEED PTO (1 SAE flange & 1 plug-in hydraulic pump)	<input type="checkbox"/> ISUNF-MD	Interior front sun visor with mirror on driver side
<input type="checkbox"/> PTRD-D2	Gearbox driven HIGH SPEED PTO (2 SAE flanges & 1 plug-in hyd pump)	<input type="checkbox"/> ISUNF-RE	Electrically operated textile interior sun blind
<input type="checkbox"/> PTRD-F	PTO with 1 DIN + 1 flange connection rear, manual gearbox	<input checked="" type="checkbox"/> ISUNF-RM	Manually operated textile interior sun blind
<input type="checkbox"/> HPG-F101	Parker F1-101 gearbox mounted, fixed displacement, single flow, hydraulic pump	<input type="checkbox"/> ADFS	Two extra DIN slots in front shelf - can be fitted with card or drawer available as an accessory
<input type="checkbox"/> HPG-F41	Parker F1-41 gearbox mounted, fixed displacement, single flow, hydraulic pump	<input checked="" type="checkbox"/> BUPALARM	Reverse alarm
<input type="checkbox"/> HPG-F51	Parker F1-51 gearbox mounted, fixed displacement, single flow, hydraulic pump	<input type="checkbox"/> RTOLL-PK	Road toll PREPARATION kit for trucks operating with "Toll Collect" in Germany
<input type="checkbox"/> HPG-F61	Parker F1-61 gearbox mounted, fixed displacement, single flow, hydraulic pump	<input type="checkbox"/> LOADIND	Load indicator with central dashboard display
<input type="checkbox"/> HPG-F81	Parker F1-81 gearbox mounted, fixed displacement, single flow, hydraulic pump	<input type="checkbox"/> REMC-MF	Multi-functio wireless remote control
<input checked="" type="checkbox"/> DTRI-PER	Dashboard in darker peregrine greyish brown. Steering wheel grey and door panels in light beige for FH and black for FH16.	<input type="checkbox"/> FIREXT3S	Fire extinguisher - 3kg mounted on the seat base
<input checked="" type="checkbox"/> STWPOS-R	Steering wheel position - RIGHT-HAND DRIVE	<input type="checkbox"/> WARNVEST	High visibility warning vest - no sleeves
<input type="checkbox"/> STWM-LE	Leather steering wheel	<input type="checkbox"/> AIDKIT	First aid kit - Legal demand for EU markets including delivery to EU bodybuilder
<input type="checkbox"/> STGW-AD2	Adjustable steering wheel with neck tilt	<input type="checkbox"/> AIDKIT1B	First aid kit - Legal demand for trucks transiting Germany
<input checked="" type="checkbox"/> STGW-ADJ	Adjustable steering wheel	<input type="checkbox"/> WARNLAMP	Portable warning lamp
<input checked="" type="checkbox"/> AIRBAG	SRS Driver's air bag	<input type="checkbox"/> LAMP-IN	Inspection lamp
<input type="checkbox"/> INST-BAS	Basic level instruments	<input type="checkbox"/> BULBKIT	Bulb and fuse kit
<input checked="" type="checkbox"/> DRC-AMI1	DPF Regeneration control switch - for manual and switching off regeneration	<input type="checkbox"/> WRITEPAD	Writing pad
<input type="checkbox"/> ARSL	Additional road speed limit - switch in dashboard	<input checked="" type="checkbox"/> DST-CF4	Driver seat - Suspended, adjustable shock absorber, travel, backrest & lumbar controls - seatbelt mounted to the seat
<input type="checkbox"/> SPEED-DU	Dual speed limiter	<input type="checkbox"/> DST-CF5	Driver seat - Suspended with adjustable shock absorber, travel, backrest, lumbar & heat controls - seatbelt mounted to the seat
<input checked="" type="checkbox"/> ESP-BAS1	Electronic Stability Control	<input type="checkbox"/> DST-CF6	Driver seat - Suspended with adjustable shock absorber, travel, backrest, lumbar, heat and ventilation controls - seatbelt mounted to the seat
<input type="checkbox"/> ESPC-RO	ESP (Electronic Stability Program) functionality control - Reduced / Off	<input type="checkbox"/> SBD-RED	Seat belt colour - Red
<input type="checkbox"/> HWSS-ACB	Adaptive cruise control ACC with forward collision warning and AEBS advanced emergency brake system	<input type="checkbox"/> SBPRE-DS	Driver seat belt pretensioner
<input checked="" type="checkbox"/> HWSS-FCB	Forward collision warning with AEBS advanced emergency brake system	<input checked="" type="checkbox"/> PST-BAS1	Passenger seat - Fixed non suspended fold up with seatbelt mounted in cab
<input checked="" type="checkbox"/> LSS-DW	Lane departure-warning system	<input type="checkbox"/> PST-BENC	Passenger seat - Two-person bench
<input type="checkbox"/> LCS	Lane change support	<input type="checkbox"/> PST-CF4	Passenger seat - Suspended, adjustable shock absorber, travel, backrest & lumbar controls - seatbelt mounted to the seat
<input type="checkbox"/> DAS-W	Driver Alert Support system	<input type="checkbox"/> PST-CF5	Passenger seat - Suspended with adjustable shock absorber, travel, backrest, lumbar & heat controls - seatbelt mounted to the seat
<input type="checkbox"/> RSENS-W	Rain sensing windscreen wipers	<input type="checkbox"/> PST-STD2	Passenger seat - Fixed with backrest adjustment, non suspended with seatbelt mounted in cab
<input type="checkbox"/> CU-ECC	Cab Climate Unit - Electrically controlled air conditioning with sun sensor	<input type="checkbox"/> PST-STD4	Passenger seat - Standard suspended with seatbelt mounted in cab
<input type="checkbox"/> CU-ECC2	Cab Climate Unit - Electrically controlled air conditioning with a carbon filter, sun, mist, and air quality sensor	<input type="checkbox"/> SBPRE-PS	Passenger seat belt pretensioner
<input checked="" type="checkbox"/> CU-MCC	Cab Climate Unit - Manual air conditioning	<input type="checkbox"/> ARM-DBPS	Armrests - Two on the driver and one - outer - on the passenger seat
<input checked="" type="checkbox"/> IMMOBIL	Thatcham H2 approved immobiliser	<input type="checkbox"/> ARMRE-BB	Armrests - Two on both driver & passenger seats
<input type="checkbox"/> ALARM-B	Thatcham H1 approved vehicle alarm - Cab only	<input type="checkbox"/> ARMRE-DB	Armrests - Two on the driver seat
<input type="checkbox"/> ALARM-E	Enhanced vehicle alarm - Thatcham H1 approved - Cab plus external sensor for body/trailer	<input type="checkbox"/> ARMRE-PB	Armrests - Two on the passenger seat
<input type="checkbox"/> ALCOLOCK	Alcolock	<input type="checkbox"/> ARMRE-PS	Armrest - Single on the passenger seat
<input type="checkbox"/> BUPMON	Back up monitor - Digital reverse camera, parameter & lead supplied loose in cab.	<input type="checkbox"/> ARU-BAS	Armrest upholstery - Vinyl
		<input type="checkbox"/> ARU-LEA	Armrest upholstery - Leather
		<input checked="" type="checkbox"/> FMAT-RUB	Footwell floor mats - Rubber
<input checked="" type="checkbox"/> Standard Equipment			
<input type="checkbox"/> Optional Equipment			

For more detailed information about cab and powertrain equipment, please refer to separate specification sheets.

For all possible options and combinations of options please consult your Volvo sales contact who can create a specification to match your requirements using the Volvo Sales Support system (VSS).

The factory reserves the right to modify design and change equipment without previous notification. The specification can vary from country to country.

MODEL RANGE

NEW FM LNG 4x2 Platform - Rear Air Suspension - Contact Regional Business Manager

- FMAT-TX2** Footwell floor mats - Two sets, Rubber and textile with an embossed pile supplied in the cab
 - **LBK70** Lower bunk 700 x2000 mm, fixed
 - MATL-FI** Firm lower bunk pocket sprung mattress
 - **MATL-SF** Lower flexizone mattress - semi-firm, pocket springs up to 100kg - 16 stone
 - MATL-SO** Lower flexizone mattress - soft, pocket springs up to 85kg - 13.5 stone
 - OLMAT-BA** 35mm mattress overlay protector
 - OLMAT-PR** 50mm premium mattress overlay protector
 - TBK60F** Fixed foldable top bunk 600 x 1900mm
 - TBK70F** Fixed foldable top bunk 700 x 1900mm
 - PH-CAB2** 1.8kW Air to air night heater
 - PH-ENGCA** Engine and cab night heater
 - PH-SS** Short stop heater
 - SLCP-BAS** Sleeper control panel - Basic with switches for interior light, night heater, roof hatch and door lock
 - SAFE** Safe box for driver's personal items
 - ETSB-F** Storage on engine tunnel - Central document box with two rear cup holders
 - RUS-BAS** Rear cab upper storage - 300 mm high
 - RUS-HIG** Rear cab upper storage - 440 mm high - volume 245 litres
 - TABLE** Folding and height adjustable table - on lower bunk
 - REF-ICPK** Fridge: engine tunnel mounted preparation kit
 - REFR-RUS** Fridge - 28 litre rear upper wall mounted with dividers
 - MICRO-PK** Wiring preparation kit for microwave oven
 - BOTH-D** One bottle holder under dashboard centre section
 - COFMA-PK** Coffee maker, preparation kit.
 - **INLI-BAS** Interior white LED lights - basic
 - INLI-NL** Interior white and red night LED light with no dimmer
 - INLI-NLD** Interior white and red night LED light with dimmer
 - ARL-FLEX** Two flexible reading lamps (snake lamps)
 - **RH-EE** Fixed tinted glass sky window with emergency exit
 - RH-ER** Steel roof hatch - Electrically operated, rear opening with emergency exit
 - RH-ETR** Tinted glass roof hatch - Electrically operated, rear opening with emergency exit
 - RH-MTR** Tinted glass roof hatch - Manually operated, rear opening with emergency exit
 - **GLAS-TIN** Tinted windows.
 - SWIND-BS** Extra side window on both sides behind "B" pillar
 - SWIND-PS** Cab side window - Left side rear behind 'B' post
 - AWIND-RF** Rear window
 - VANMIR** Vanity mirror in front shelf
 - AS-FUS** Extra shelf in front upper storage compartments
 - INFOT-PK** Preparation kit for the mounting of a flat screen TV in cab above the driver's door, includes bracket, electrical and speaker connections
- ### CAB EXTERIOR
- EXTL-BA2** Enhanced exterior finish - Satin Volvo badges, instep, bumper, and mirror housing in cab colour. Main grille in thunder grey. Aluminium step inserts. Sunvisor and bumper spoiler in cab colour if specified.
 - **EXTL-BAS** Basic exterior finish - Satin Volvo badges, grey grille, instep, bumper, bumper spoiler, grille, door handles mirror housing and sunvisor if specified.
 - **DGLAS-H** Tempered door glass
 - DGLAS-L** Laminated door glass
 - LOCK-CTL** Door locks - Central locking with key
 - **LOCK-REM** Door locks - Remote central locking
 - **BUMP-B** Plastic front bumper
 - BUMP-B2** Steel front bumper
 - BUMP-SP** Front bumper spoiler
 - GUARD-EH** Engine guard to protect sump and engine hoses
 - **BUGNET** Insect screen in front of radiator
 - CTILT-P-E** Electrically operated hydraulic cab tilt
 - **CTILT-P-M** Manually operated hydraulic cab tilt
 - FCABS-A** Front cab suspension - Air
 - **FCABS-M** Front cab suspension - Mechanical spring
 - RCABS-A** Rear cab suspension - Air
 - **RCABS-M** Rear cab suspension - Mechanical spring
 - MIRFCPS** Mirrors - Electrically heated and operated main and wide-angle with manually adjusted kerb view mirror on the passenger side and position camera in nearside mirror arm.
 - MIRFCPX** Mirrors - Electrically heated and operated - FMX- main and wide-angle with manually adjusted kerb view mirror on the passenger side and position camera in nearside mirror arm. To increase direct vision to the side the main mirrors have no cowlings
 - MIRCOMF** Electrically heated and operated main and wide angle mirrors and manually adjusted kerb view mirror on passenger side
 - MIRCOMFX** Electrically heated and operated -FMX- main and wide-angle mirrors with manually adjusted passenger kerb mirror, to increase direct vision to the side the main mirrors have no cowlings
 - **MIRSTD** Electrically heated main and wide angle mirrors and manually adjusted kerb view mirror on passenger side
 - MIRSTDX2** Electrically heated -FMX- main and wide-angle mirrors with manually adjusted passenger kerb mirror, to increase direct vision to the side the main mirrors have no cowlings
 - **AMIR-F20** Auxiliary front view mirror with a 200mm radius
 - SUNV-H** External smoke grey sunvisor
 - AD-ROOF** Roof air deflector
 - AD-SIDES** Short cab side air deflector for rigid bodywork
 - **HL-BASIC** Halogen H7 head lamps
 - HL-BHID** High intensity Bi-Xenon head lamps
 - HL-DBL** Bi-Xenon high intensity discharge and dynamic head lamps. Dipped beam follows the road, activated by a signal from the steering system.
 - HL-CLEAN** Head lamp cleaner - washer jets
 - HLP-ST** Headlamp protection
 - HL-ADJ** Headlight adjustment - Switch in cab
 - DRIVL2** Two spot lamps
 - **UDRIVL** Without auxiliary driving lights
 - **FOGL-WC** Front fog lights
 - CL-STAT** Static corner lights
 - ASL-RF2** Two Hella H11 70W spotlamps in sign box - only available with the basic headlight and no lower driving lights.
 - ASL-RFPK** Preparation kit for two spotlamps in sign box
 - BEACOA2F** Roof beacons - Two front roof mounted amber LED
 - BEACOA2R** Roof beacons - Two rear roof mounted amber LED
 - BEACON-P** Roof beacons - wiring preparation only
 - BEACONA4** Roof beacons - Four amber LED - two front/ two rear
 - CABPT-R1** Single outlet for roof mounted accessories
 - **CABPT-R2** Twin outlets for roof mounted accessories.
 - SPOTP-F** Spotlamp preparation in front, max 280W
 - SPOTP-R** Spotlamp preparation on roof, max 280W
 - SPOTP-RF** Spotlamp preparation on cab roof and in cab front, max 2x280W
 - ROS-IL2** Preparation kit for illuminated roof sign with switch loose in cab, fit after registration

■ Standard Equipment

Optional Equipment

For more detailed information about cab and powertrain equipment, please refer to separate specification sheets.

For all possible options and combinations of options please consult your Volvo sales contact who can create a specification to match your requirements using the Volvo Sales Support system (VSS).

The factory reserves the right to modify design and change equipment without previous notification. The specification can vary from country to country.

MODEL RANGE

NEW FM LNG 4x2 Platform - Rear Air Suspension - Contact Regional Business Manager

- **CSGN-GTR** "Globetrotter" headboard logo
- **HORN-F1S** Horn - Air single tone - chassis mounted
- **HORN-R2S** Horn - Air - Two roof-mounted
- **ANT-CBR** Roof mounted antenna for CB radio, single aerial
- **ACCBR-AP** Front, middle & rear roof mounted accessory brackets
- **ACCBR-F** Front roof mounted accessory bracket
- **ACCBR-FM** Front & middle roof mounted accessory brackets
- **ACCBR-FR** Front & rear roof mounted accessory brackets
- **ACCBR-M** Middle roof mounted accessory bracket
- **ACCBR-R** Rear roof mounted accessory bracket
- **ACCBR-RM** Rear & middle roof mounted accessory brackets
- **REFS-TW** White cab conspicuity markings by packed in cab
- **REFS-TY** Yellow cab conspicuity markings by packed in cab
- **AESW2PK** 2 Body builder bistable el.switches (marked AUX1/AUX2) and prep. for 4 more switches
- **AUXSW-4** Wiring for 4 extra switches (from Body builder electrical centre to switch positions)

DELIVERY SERVICES

- **TGW-4GWL** Telematics gateway - GSM/GPRS/4G modem, LTE & WLAN
- **FMS-PK** Fleet Management System gateway
- **DRUT2** Driver utility app - "My Truck" - two-year subscription
For mobile phone, tablet, with android and IOS systems.
Only available with Volvo Connect subscription

SUPERSTRUCTURE PREPARATIONS

- **SRWL-PK** Chassis-mounted working lamps - Side work and reverse lamp preparation and 3 position switch - Max load 280W
- **SWL-2FW** Chassis-mounted working lamps - Two white front-mounted LED lamps
- **SWL-2RW** Chassis-mounted working lamps - Two white rear-mounted LED lamps
- **SWL-4W** Chassis-mounted working lamps - Four white front and rear-mounted LED lamps
- **SWL-PK** Chassis-mounted working lamps - Side work lamp preparation and 2 position switch - Max load 280W
- **WLC-H2A** Two H3/70W working lamps with amber coloured lens high mounted back of cab
- **WLC-H2W** Two H3/70W white working lamps high mounted on the back of cab
- **WLC-PKCH** Working lamp back of cab - Preparation kit - cables and switch
- **WLC-PKH** Preparation kit, cables and switch for high mounted working lamps back of cab
- **WLC-PKL** Preparation kit, cables and switch for low mounted working lamps back of cab
- **WLC-PKLH** Preparation kit - cables and switch for low and high mounted working lamps back of cab.
- **ECBB-HIG** Body builder electrical centre with body builder module
- **BBCHAS1** One 7-pole connector for Body builder interface
- **BBCHAS3** Three 7-pole connectors for Body builder interface
- **BEPR-T2** Body builder electrical software preparation for tipper with remote control
- **EXSTER** External steering control - Volvo dynamic steering and bodybuilder module prepared for external control system, installed and computer by bodybuilder
- **TD-BAS** Trailer detection WITHOUT LED sensing
- **TD-LED** Trailer detection with LED sensing
- **FBA-BTF** Lower front body attachments for torsionally flexible - platform body
- **FBA-BTSF** Lower front body attachments for torsionally semi-flexible body - box or curtainsider
- **HBA-FSFB** Holes for body attachments - flexible/semi-flexible body
- **HBA-SB** Holes for body attachments - stiff body
- **RBA-T2** Lower rear body attachments for helper frame
- **CRANEPK1** Crane plates mounted to frame, for cranes up to 10 tonne metre capacity
- **CRANEPK2** Crane plates mounted to frame, for cranes up to 20 tonne metre capacity
- **CRANEPK4** Crane plates mounted to frame, for cranes up to 40 tonne metre capacity
- **AUXL-SPK** Electrical preparation kit - wiring and switch for snow plough lights
- **TAILPRE2** Tail lift preparation kit, wireless remote operation
- **TAILPREP** Taillift preparation kit - cab switch and warning in driver display
- **AESW2** Two Body builder bistable electrical switches (marked AUX1 / AUX2)



Volvo Truck Corporation
volvotrucks.com