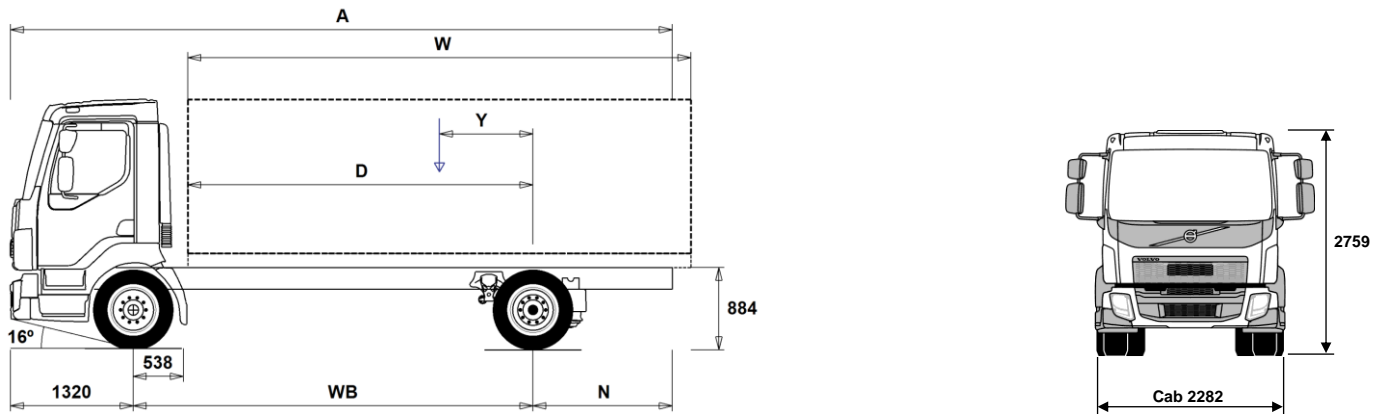


# MODEL RANGE



Volvo Trucks. Driving Progress

FL 42R GVW16 8L air FL 42 R 816A



## Chassis Dimensions [mm]

WB Wheelbase	3500	3800	4100	4400	4700	5000	5300	5600	5900	6200	6500
A Overall Chassis Length	6975	7425	7955	8425	8915	9435	9915	10425	10835	11430	11730
D Center of rear axle to front of body	2912	3212	3512	3812	4112	4412	4712	5012	5312	5612	5912
N Rear Overhang (Min.)	1685	1885	2805	2255	2485	2685	2895	3095	3295	3505	3755
N Rear Overhang (Max.)	2155	2305	2535	2705	2895	3115	3295	3505	3615	3910	3910
Y Center of Gravity for Payload (Min.)	584	636	689	742	793	845	897	949	997	1051	1098
Y Center of Gravity for Payload (Max.)	801	872	944	1016	1087	1159	1230	1302	1370	1444	1510
W Body Length (Min.)	4222	4680	5135	5592	6050	6507	6964	7421	7884	8337	8803
W Body Length (Max.)	4655	5152	5646	6141	6638	7134	7631	8126	8630	9123	9628

## Chassis Weights [kg]

Front Axle	3210	3215	3210	3205	3210	3215	3215	3215	3230	3230	3240
Rear Axle	1480	1515	1540	1565	1590	1625	1650	1670	1700	1730	1735
Kerb Weight	4690	4730	4750	4770	4800	4840	4865	4885	4930	4960	4975
Payload (including body, driver, fuel, etc.)	11310	11270	11250	11230	11200	11160	11135	11115	11070	11040	11025

## Turning Diameter [mm]

Turning Circle Diameter Kerb to Kerb	12400	13300	14200	15100	16000	16900	17800	18700	19600	20500	21400
Turning Circle Diameter Wall to Wall	13700	14600	15500	16400	17300	18200	19100	20000	20900	21800	22700

## Plated Weights [kg]

Gross Vehicle Weight	16000
Gross Combination Weight	21000
Front Axle	5800
Rear Axle	10900

## Design

16000
21000
5800
10900

## Important Notes

### Chassis Dimensions

Cab Height: +39 mm for CAB-CRW.  
 Front Axle to Back of Cab: +1302 mm for CAB-CRW, +294 mm for CAB-SSLP.  
 D-measure includes a front clearance of 50 mm and for rigid trucks also a subframe of 120 mm.  
 Height can vary  $\pm 20$  mm for leaf and  $\pm 10$  mm for air suspension.  
 All dimensions are for unladen chassis and any tag axles down.

Weights and dimensions are based upon the following tyres:  
 Front Axle Tyres: 265/70R19.5  
 Drive Axle Tyres: 265/70R19.5

Chassis weight includes oil, water, AdBlue, 0 litres fuel and without driver. Kerb weight can vary  $\pm 3\%$ .

Turning diameters are theoretically calculated.

Legal weights can differ from country to country.

For more detailed weight information, including optional equipment weights, ask your Volvo sales contact to enter your specification into the Volvo Weight Information system (WIS).

Do NOT use this drawing for bodybuilding. Refer to Volvo Bodybuilder Instructions and chassis assembly drawing FL42R816A.

# MODEL RANGE

FL 42R GVW16 8L air FL 42 R 816A

## Core components

- **CHH-MED** Chassis height medium - approx. 900 mm above ground level
- **RAD-A2V** Rear air suspension, 1 axle - 1 driven
- **EU6SCR** Euro 6 emission level with Selective Catalytic Reduction (SCR), particle filter and Exhaust Gas Recirculation (EGR)
- **D8K250** Six cylinder diesel engine, 7.7 litre Euro 6 SCR + EGR (Diesel Particulate Filter), 250 hp, 950 Nm
- **D8K280** Six cylinder diesel engine, 7.7 litre Euro 6 SCR + EGR (Diesel Particulate Filter), 280 hp, 1050 Nm
- **EBR-CEB** Engine compression and exhaust brake
- **EBR-EPG** Engine brake with Exhaust Press Governor, EPG
- **AL306** Automatic 6-speed Allison gearbox. Max input torque up to 1695 Nm.
- **ATO1056** I-Sync, Automated manual 6 speed gearbox, 1070 Nm
- **ZTO1006** Overdrive 6 speed manual ZF gearbox, 1050 Nm
- **RSS1125A** Rear single reduction solo axle - axle load 11 tonnes, GCW 25 tonnes
- **RSS1132A** Rear single reduction solo axle - axle load 11 tonnes, GCW 32.5 tonnes

## Packages

- **DRIVEFL** Driver convenience package FL
- **VISIFL** Visibility package FL - Optimizing the drivers field of vision around the cab
- **AIRFLOW** Airflow package FL - Includes adjustable roof spoiler, side deflector and sun visor
- **AUDIODAB** Audio System DAB
- **AUDIOPD** Audio Preparation DAB kit, incl. DAB-amplifier

## Chassis

- **FST-AIR** Front air suspension
- **FST-PAR** Front parabolic leaf suspension (normal stiffness)
- **FAL5.8** Front axle design capacity 5.8 tonnes
- **RAL10.9** Rear axle design capacity 10.9 tonnes
- **EBS-MED** EBS (Electronic Brake System) medium package incl. traction control system (TCS) and hill start aid
- **EBS-STD** EBS (Electronic Brake System) standard package (without traction control)
- **RST-AIR** Rear air suspension
- **SUSPL-E1** Remote control on wander-lead for air suspension levelling with 1 sensor on rear axle
- **SUSPL-E2** Remote control on wander-lead for air suspension levelling with 2 sensors on rear axle
- **SUSPL-E3** Integral three dash switches for air suspension levelling control with 1 sensor
- **FST7070** Frame section thickness - web 7.0 mm / flange 7.0 mm
- **FST8080** Frame section thickness - web 8.0 mm / flange 8.0 mm
- **2BATT170** Batteries 2x170 Ah
- **ADR2** ADR adaptation, transportation of dangerous goods, 2 switches
- **R80P** Right 80 litre plastic diesel tank  
Min volume 80l  
Max volume 430l
- **UL-FUEL** Without left diesel tank  
Min volume 80l  
Max volume 215l
- **ADTP-L** AdBlue tank mounted on left hand side
- **ADTP-R** AdBlue tank mounted on right hand side
- **WHC-FIX1** One fixed wheel chock
- **WHC-FIX2** Two fixed wheel chocks
- **TOWMBRH** High mounted towing member, in centre of frame

- **C-RO40AG** Towing coupling Rockinger 400 G-145
- **TOWF-NO1** One front towing device
- **TOWF-NO2** Two front towing devices
- **TOWR-ONE** One rear towing device in frame end cross member
- **TREL15** 15 pol electrical trailer connector (ADR certified)
- **TBC-EC** Trailer brake connection, European Community
- **RUP-FIX2** Fixed aluminium rear underrun protection, EC approved
- **RFEND-T** Transport mounted one-piece rear fenders, only for Jockey transport

## Rims and tyres

- **SPWT-F** Spare wheel with tyre equal to front wheel
- **SWCP-LF** Spare wheel carrier on left side in front of rear axle
- **SWCP-R** Spare wheel carrier mounted behind rear axle and below frame
- **SWCP-T** Temporary spare wheel carrier.  
Spare wheel is transport mounted (strapped on top of the frame rails) with plastic strips.
- **SWCP-TP** Spare wheel carrier transport mounted with the spare wheel on top of the frame rails
- **JACK-8T** Jack, 8 tonnes
- **GAUGE-TP** Tyre pressure gauge

## Powertrain equipment

- **CS39A-O** Single plate clutch, plate diameter 395 mm
- **RET-TPT** Retarder for hydraulic gearbox
- **TC-HWO** Oil cooler for hydraulic transmissions – water/oil
- **1COMP500** Single cylinder air compressor 360 cc / 500 l/min
- **2COM1080** Dual cylinder air compressor 720 cc / 1080 l/min
- **AIRIN-HI** High air intake, mounted behind cab on left hand side
- **AIRIN-LR** Low air intake, chassis mounted behind cab on left hand side
- **ACL1ST** Air cleaner with one filter element
- **ACL1ST-S** Air cleaner with additional filter element
- **24AL110B** Alternator 110 Ampere
- **24AL130B** Alternator 130 Ampere
- **CCV-C** Closed crankcase ventilation
- **CCV-OX** Open crankcase ventilation with oil separator and a maintenance free gas centrifuge
- **EST-AID** Engine start pre-heating element
- **PTER-100** Rear engine mounted clutch independent power-take-off with flange connection (DIN 100 / ISO 7646)
- **PTER-DIN** Rear engine mounted clutch independent PTO with splined shaft groove (female) for a close coupled pump (DIN 5462 / ISO 7653)
- **PTER1400** Rear engine mounted clutch independent power-take-off with flange connection (SAE 1410 / ISO 7647)
- **PR-HF4S** Rear gearbox mounted (side of torque converter) Hydrocar PTO with flange connection (DIN 100 / ISO 7646) for propeller shaft (400 Nm)
- **PR-HF4SH** Rear gearbox mounted (side of torque converter) Hydrocar high speed PTO with flange connection (DIN 100 / ISO 7646) for propeller shaft (400 Nm)
- **PR-HF6S** Rear gearbox mounted (side of torque converter) Hydrocar PTO with flange connection (DIN 100 / ISO 7646) for propeller shaft (600 Nm)
- **PR-HP4S** Rear gearbox mounted (side of torque converter) Hydrocar PTO with connection (DIN 5462 / ISO 7653) for pump (400 Nm)
- **PR-HP4SH** Rear gearbox mounted (side of torque converter) Hydrocar high speed PTO with connection (DIN 5462 / ISO 7653) for pump (400 Nm)
- **PR-HP6S** Rear gearbox mounted (side of torque converter) Hydrocar PTO with connection (DIN 5462 / ISO 7653) for pump (600 Nm)
- **PTR-FH1** Rear gearbox mounted Hydrocar S81 PTO with flange

■ Standard Equipment      □ Optional Equipment

For more detailed information about cab and powertrain equipment, please refer to separate specification sheets.

For all possible options and combinations of options please consult your Volvo sales contact who can create a specification to match your requirements using the Volvo Sales Support system (VSS).

The factory reserves the right to modify design and change equipment without previous notification. The specification can vary from country to country.

# MODEL RANGE

FL 42R GVW16 8L air FL 42 R 816A

---

- **PTR-FH2** connection (DIN 90 / ISO 7646) for propeller shaft (800 Nm)  
Rear gearbox mounted Hydrocar S84 PTO with flange connection (DIN 90 / ISO 7646) for propeller shaft (430 Nm)
- **PTR-FH5** Rear gearbox mounted Hydrocar S88 PTO with flange connection (DIN 90 / ISO 7646) for propeller shaft (450 Nm)
- **PTR-PH1** Rear gearbox mounted Hydrocar S81 PTO with connection (DIN 5462 / ISO 7653) for pump (800 Nm)
- **PTR-PH2** Rear gearbox mounted Hydrocar S84 PTO with connection (DIN 5462 / ISO 7653) for pump (430 Nm)
- **PTR-PH4** Rear gearbox mounted Hydrocar S88 PTO with connection (DIN 5462 / ISO 7653) for pump (450 Nm)
- **PTR-PK** Electrical and solenoid prep kit for gearbox PTO
- **PTR-ZF2** Rear gearbox mounted ZF PTO with flange connection (DIN 100 / ISO 7646) for prop shaft (410 Nm)
- **PTR-ZF3** Rear gearbox mounted ZF PTO with connection (DIN 5462 / ISO 7653) for pump (410 Nm)
- **PTR-ZF4** Rear gearbox mounted ZF PTO with flange connection (DIN 100 / ISO 7646) for prop shaft (320 Nm)
- **PTR-ZF5** Rear gearbox mounted ZF PTO with connection (DIN 5462 / ISO 7653) for pump (320 Nm)
- **PTR-ZF6** Rear gearbox mounted ZF PTO with flange connection (DIN 100 / ISO 7646) for prop shaft (270 Nm)
  
- **HPG-F101** Hydraulic gearbox mounted pump F1-101, fixed displacement, single flow
- **HPG-F41** Hydraulic gearbox mounted pump F1-41, fixed displacement, single flow
- **HPG-F51** Hydraulic gearbox mounted pump F1-51, fixed displacement, single flow
- **HPG-F61** Hydraulic gearbox mounted pump F1-61, fixed displacement, single flow
- **HPG-F81** Hydraulic gearbox mounted pump F1-81, fixed displacement, single flow
  
- **ETC** Electronic throttle control - dash mounted switch for PTO speed control

## Cab exterior

- **SUNV-B** Exterior transparent dark grey front sun visor
- **SUNV-PK** Exterior front sun visor installation preparation kit (fasteners)
  
- **AD-ROOF** Fixed roof air deflector
  
- **AD-SIDES** Short cab side air deflectors
  
- **BEACON-P** Roof beacon lights wire preparation (two cable pass throughs)
- **BEACONA2** 2 amber beacon, roof mounted rotating warning lamps

## Superstructure preparations

- **PCA90191** SKAB turnkey box body, GVW 16 tonnes, WB5600, distribution traffic
  
- **FBA-BTF** Front body attachments for flexible body
- **FBA-BTSF** Front body attachments for semi-flexible body
  
- **RBA-T2** Rear body attachments, divided
  
- **TAILPREP** Tail lift preparation kit

## Services

- **TGW-4G** Telematics gateway with 4G modem
  
- **WVTA** Whole Vehicle Type Approved

**VOLVO**

Volvo Truck Corporation

volvotrucks.com