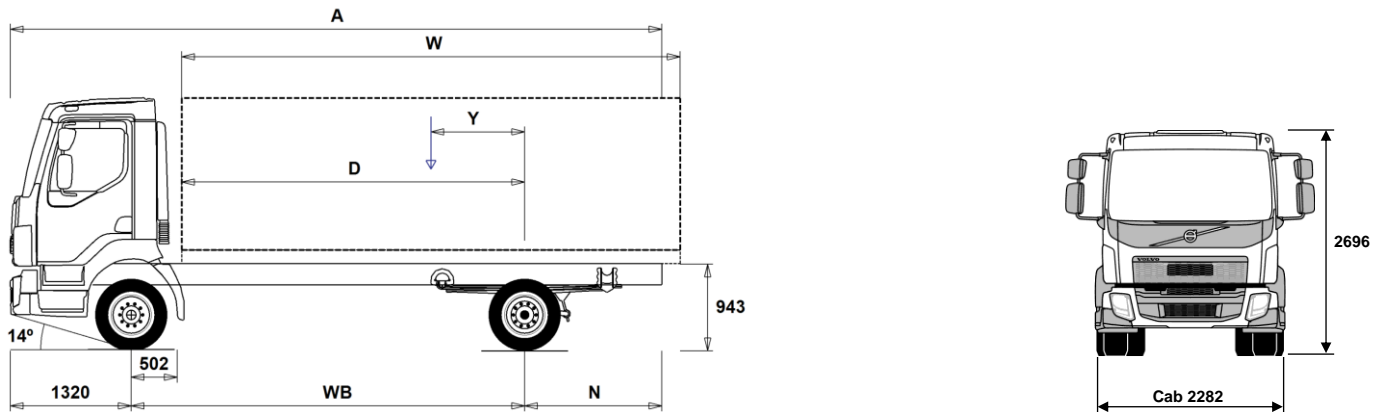


MODEL RANGE



Volvo Trucks. Driving Progress

FL 42R GVW12 5L leaf FL 42 R 512L



Chassis Dimensions [mm]

WB Wheelbase	3250	3500	3800	4100	4400	4700	5000	5300	5600	5900	6200	6500
A Overall Chassis Length	6545	6975	7425	7955	8425	8915	9435	9915	10425	10835	11430	11730
D Center of rear axle to front of body	2698	2948	3248	3548	3848	4148	4448	4748	5048	5348	5648	5948
N Rear Overhang (Min.)	1885	2055	1855	2445	2635	2835	2895	2895	3415	3295	3505	3755
N Rear Overhang (Max.)	1975	2155	2305	2535	2705	2895	3115	3295	3505	3615	3910	3910
Y Center of Gravity for Payload (Min.)	278	303	323	350	376	400	423	448	473	490	517	536
Y Center of Gravity for Payload (Max.)	684	740	801	867	931	995	1059	1124	1188	1248	1315	1374
W Body Length (Min.)	4028	4416	4895	5363	5833	6305	6778	7249	7719	8200	8665	9148
W Body Length (Max.)	4648	5048	5528	6008	6488	6968	7448	7928	8408	8888	9368	9848

Chassis Weights [kg]

Front Axle	2815	2810	2825	2820	2825	2830	2835	2835	2840	2855	2850	2860
Rear Axle	1175	1190	1220	1240	1255	1275	1305	1320	1335	1360	1380	1385
Kerb Weight	3990	4000	4045	4060	4080	4105	4140	4155	4175	4215	4230	4245
Payload (including body, driver, fuel, etc.)	8010	8000	7955	7940	7920	7895	7860	7845	7825	7785	7770	7755

Turning Diameter [mm]

Turning Circle Diameter Kerb to Kerb	11600	12400	13300	14200	15000	15900	16800	17700	18600	19500	20400	21300
Turning Circle Diameter Wall to Wall	12900	13700	14600	15500	16400	17300	18200	19100	20000	20900	21800	22700

Plated Weights [kg]

Gross Vehicle Weight	12000
Gross Combination Weight	15500
Front Axle	4500
Rear Axle	8500

Design

Gross Vehicle Weight	12000
Gross Combination Weight	15500
Front Axle	4500
Rear Axle	8500

Important Notes

Chassis Dimensions

Cab Height: +39 mm for CAB-CRW.
 Front Axle to Back of Cab: +1338 mm for CAB-CRW, +330 mm for CAB-SSLP.
 D-measure includes a front clearance of 50 mm and for rigid trucks also a subframe of 120 mm.
 Height can vary ± 20 mm for leaf and ± 10 mm for air suspension.
 All dimensions are for unladen chassis and any tag axles down. Chassis height used: CHH-LOW.

Weight and dimensions are based upon the following tyres:
 Front Axle Tyres: 245/70R17.5
 Drive Axle Tyres: 245/70R17.5

Chassis weight includes oil, water, AdBlue, 0 litres fuel and without driver. Kerb weight can vary $\pm 3\%$.

Turning diameters are theoretically calculated.

Legal weights can differ from country to country.

For more detailed weight information, including optional equipment weights, ask your Volvo sales contact to enter your specification into the Volvo Weight Information system (WIS).

Do NOT use this drawing for bodybuilding. Refer to Volvo Bodybuilder Instructions and chassis assembly drawing FL42R512L.

MODEL RANGE

FL 42R GVW12 5L leaf FL 42 R 512L

Core components

- CHH-HIGH** Chassis height high - approx. 1000 mm above ground level
- CHH-LOW** Chassis height low - approx. 850 mm above ground level
- CHH-MED** Chassis height medium - approx. 900 mm above ground level
- RAD-L80** Rear leaf suspension, 1 axle - 1 driven (80 mm wide leaves)
- EU6SCR** Euro 6 emission level with Selective Catalytic Reduction (SCR), particle filter and Exhaust Gas Recirculation (EGR)
- D5K210** Four cylinder diesel engine, 5.1 litre Euro 6 SCR + EGR (Diesel Particulate Filter), 210 hp, 800 Nm
- D5K240** Four cylinder diesel engine, 5.1 litre Euro 6 SCR + EGR (Diesel Particulate Filter), 240 hp, 900 Nm
- EBR-EPG** Engine brake with Exhaust Press Governor, EPG
- ATO1056** I-Sync, Automated manual 6 speed gearbox, 1070 Nm
- ATO8006** I-Sync, Automated manual 6 speed gearbox, 850 Nm
- STO8006** Manual overdrive 6 speed gearbox, 850 Nm
- ZTO1006** Overdrive 6 speed manual ZF gearbox, 1050 Nm
- RSS0819A** Rear single reduction solo axle - axle load 8 tonnes, GCW 18.75 tonnes
- RSS1125A** Rear single reduction solo axle - axle load 11 tonnes, GCW 25 tonnes
- RSS1132A** Rear single reduction solo axle - axle load 11 tonnes, GCW 32.5 tonnes

Packages

- DRIVEFL** Driver convenience package FL
- VISIFL** Visibility package FL - Optimizing the drivers field of vision around the cab
- AIRFLOW** Airflow package FL - Includes adjustable roof spoiler, side deflector and sun visor
- AUDIODAB** Audio System DAB
- AUDIOPD** Audio Preparation DAB kit, incl. DAB-amplifier

Chassis

- FST-PAR** Front parabolic leaf suspension (normal stiffness)
- FST-PAR3** Two leaf front parabolic suspension (stiffer than normal), reinforced
- FAL4.5** Front axle design capacity 4.5 tonnes
- FAL5.0** Front axle design capacity 5.0 tonnes
- RAL10.6** Rear axle design capacity 10.6 tonnes
- RAL10.9** Rear axle design capacity 10.9 tonnes
- RAL8.5** Rear axle design capacity 8.5 tonnes
- RAL9.2** Rear axle design capacity 9.2 tonnes
- RAL9.5** Rear axle design capacity 9.5 tonnes
- RSTAB1** Rear stabilizer with normal stiffness
- EBS-MED** EBS (Electronic Brake System) medium package incl. traction control system (TCS) and hill start aid
- EBS-STD** EBS (Electronic Brake System) standard package (without traction control)
- RST-PAR1** Three leaf parabolic rear suspension with normal stiffness
- RST-PAR3** Three leaf parabolic rear suspension, stiffer than normal
- FST5050** Frame section thickness - web 5.0 mm / flange 5.0 mm
- FST6060** Frame section thickness - web 6.0 mm / flange 6.0 mm
- FST7070** Frame section thickness - web 7.0 mm / flange 7.0 mm
- FST8080** Frame section thickness - web 8.0 mm / flange 8.0 mm
- 2BATT170** Batteries 2x170 Ah
- ADR2** ADR adaptation, transportation of dangerous goods, 2 switches
- R80P** Right 80 litre plastic diesel tank
Min volume 80l
Max volume 430l
- UL-FUEL** Without left diesel tank
- ADTP-R** AdBlue tank mounted on right hand side

- WHC-FIX1** One fixed wheel chock
- WHC-FIX2** Two fixed wheel chocks
- TOWMBRH** High mounted towing member, in centre of frame
- C-RO40AG** Towing coupling Rockinger 400 G-145
- TOWF-NO1** One front towing device
- TOWF-NO2** Two front towing devices
- TOWR-ONE** One rear towing device in frame end cross member
- TREL15** 15 pol electrical trailer connector (ADR certified)
- TBC-EC** Trailer brake connection, European Community
- RUP-FIX2** Fixed aluminium rear underrun protection, EC approved
- RFEND-T** Transport mounted one-piece rear fenders, only for Jockey transport

Rims and tyres

- SPWT-F** Spare wheel with tyre equal to front wheel
- SWCP-LF** Spare wheel carrier on left side in front of rear axle
- SWCP-R** Spare wheel carrier mounted behind rear axle and below frame
- SWCP-T** Temporary spare wheel carrier.
Spare wheel is transport mounted (strapped on top of the frame rails) with plastic strips.
- SWCP-TP** Spare wheel carrier transport mounted with the spare wheel on top of the frame rails
- JACK-6T** Jack, 6 tonnes
- JACK-8T** Jack, 8 tonnes
- GAUGE-TP** Tyre pressure gauge

Powertrain equipment

- CS39A-O** Single plate clutch, plate diameter 395 mm
- 1COMP500** Single cylinder air compressor 360 cc / 500 l/min
- AIRIN-FR** Front air intake, chassis mounted on right hand side, ahead of front wheel
- AIRIN-HI** High air intake, mounted behind cab on left hand side
- AIRIN-RL** Low air intake, chassis mounted behind cab on left hand side
- ACL1ST** Air cleaner with one filter element
- ACL1ST-S** Air cleaner with additional filter element
- 24AL110B** Alternator 110 Ampere
- 24AL130B** Alternator 130 Ampere
- CCV-C** Closed crankcase ventilation
- CCV-OX** Open crankcase ventilation with oil separator and a maintenance free gas centrifuge
- EST-AID** Engine start pre-heating element
- PTER-100** Rear engine mounted clutch independent power-take-off with flange connection (DIN 100 / ISO 7646)
- PTER-DIN** Rear engine mounted clutch independent PTO with splined shaft groove (female) for a close coupled pump (DIN 5462 / ISO 7653)
- PTER1400** Rear engine mounted clutch independent power-take-off with flange connection (SAE 1410 / ISO 7647)
- PR-HP4SH** Rear gearbox mounted (side of torque converter) Hydrocar high speed PTO with connection (DIN 5462 / ISO 7653) for pump (400 Nm)
- PTR-FH5** Rear gearbox mounted Hydrocar S88 PTO with flange connection (DIN 90 / ISO 7646) for propeller shaft (450 Nm)
- PTR-PH4** Rear gearbox mounted Hydrocar S88 PTO with connection (DIN 5462 / ISO 7653) for pump (450 Nm)
- HPG-F101** Hydraulic gearbox mounted pump F1-101, fixed displacement, single flow
- HPG-F41** Hydraulic gearbox mounted pump F1-41, fixed displacement, single flow
- HPG-F51** Hydraulic gearbox mounted pump F1-51, fixed displacement, single flow
- HPG-F61** Hydraulic gearbox mounted pump F1-61, fixed displacement, single flow
- HPG-F81** Hydraulic gearbox mounted pump F1-81, fixed displacement,

- Standard Equipment
- Optional Equipment

For more detailed information about cab and powertrain equipment, please refer to separate specification sheets.

For all possible options and combinations of options please consult your Volvo sales contact who can create a specification to match your requirements using the Volvo Sales Support system (VSS).

The factory reserves the right to modify design and change equipment without previous notification. The specification can vary from country to country.

MODEL RANGE

FL 42R GVW12 5L leaf FL 42 R 512L

single flow

- **ETC** Electronic throttle control - dash mounted switch for PTO speed control

Cab exterior

- **SUNV-B** Exterior transparent dark grey front sun visor
- **SUNV-PK** Exterior front sun visor installation preparation kit (fasteners)
- **AD-ROOF** Fixed roof air deflector
- **AD-SIDES** Short cab side air deflectors
- **BEACON-P** Roof beacon lights wire preparation (two cable pass throughs)
- **BEACONA2** 2 amber beacon, roof mounted rotating warning lamps

Superstructure preparations

- **FBA-BTF** Front body attachments for flexible body
- **FBA-BTSF** Front body attachments for semi-flexible body
- **RBA-T2** Rear body attachments, divided
- **TAILPREP** Tail lift preparation kit

Services

- **TGW-4G** Telematics gateway with 4G modem
- **WVTA** Whole Vehicle Type Approved

VOLVO

Volvo Truck Corporation
volvotrucks.com