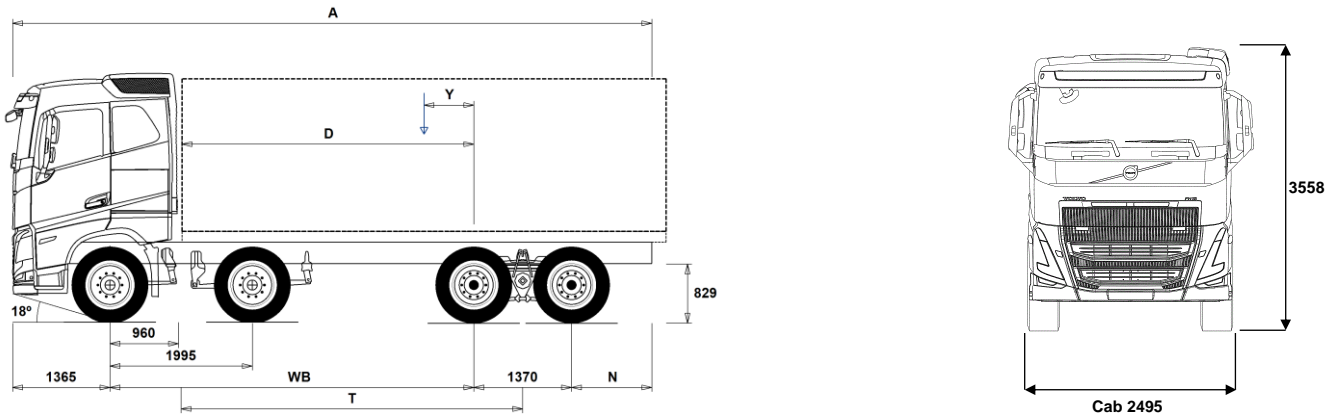


# MODEL RANGE



Volvo Trucks. Driving Progress

NEW FH 16 8x4 Rigid - B/T ride - N3 FH 84RF 6L



## Chassis Dimensions [mm]

WB Wheelbase	5100	5600	6000	6200
A Overall Chassis Length	8960	9460	9860	10060
D Center of rear axle to front of body	4090	4590	4990	5190
N Rear Overhang (Min.)	1225	1225	1225	1225
N Rear Overhang (Max.)	1125	1125	1125	1125
T Theoretical Wheelbase	4788	5288	5688	5888
Y Center of Gravity for Payload (Min.)	546	679	782	834
Y Center of Gravity for Payload (Max.)	1202	1405	1564	1644

## Chassis Weights [kg]

Front Axles	7380	7375	7375	7380
Rear Bogie	2740	2795	2805	2820
Kerb Weight	10120	10170	10180	10200
Payload (including body, driver, fuel, etc.)	21880	21830	21820	21800

## Turning Diameter [mm]

Turning Circle Diameter Kerb to Kerb	20600	22200	23500	24200
Turning Circle Diameter Wall to Wall	22000	23600	24800	25500

## Plated Weights [kg]

	Plated	Design
Gross Vehicle Weight	32000	42000
Gross Combination Weight	44000	44000
Front Axles	16000	16000
Rear Bogie	19000	26000

## Important Notes

### Chassis Dimensions

Cab Height: +305 mm for CAB-HSLP, -283 mm for CAB-LSLP, +450 mm for CAB-XHSL.

D-measure includes a front clearance of 50 mm and for rigid trucks also a subframe of 100 mm.

Height can vary  $\pm 20$  mm for leaf and  $\pm 10$  mm for air suspension.

All dimensions are for unladen chassis and any tag axles down.

Rear overhang used for vehicle weight calculation is the maximum rear overhang (N Max.) for selected wheelbase.

Weight and dimensions are based upon the following tyres:

Front Axle Tyres: 315/80R22.5  
Drive Axle Tyres: 315/80R22.5

**Chassis weight includes oil, water, AdBlue, 0 litres fuel and without driver. Kerb weight can vary  $\pm 3\%$ .**

Turning diameters are theoretically calculated.

Legal weights can differ from country to country.

For more detailed weight information, including optional equipment weights, ask your Volvo sales contact to enter your specification into the Volvo Weight Information system (WIS).

Do NOT use this drawing for bodybuilding. Refer to Volvo Bodybuilder Instructions and chassis assembly drawing FH84RF6L.

# MODEL RANGE

NEW FH 16 8x4 Rigid - B/T ride - N3 FH 84RF 6L

## TRUCK USE

- **TIPP-PRE** Transport Adaption - Tipper vehicle preparation
- **UNIFORM** Transport Adaption - Basic platform vehicle

## CORE COMPONENTS

- **RADD-TR1** T-ride 1 rear two spring bogie suspension, 75mm wide springs
- **RADD-TR2** T-ride 3 rear two spring bogie suspension, reinforced
- **RADD-TR3** RADD-TR3 - T ride 3
- **FH16HSL5** Globetrotter cab - all steel safety cage design with roof mounted emergency escape hatch. Designed and built to Swedish impact and ECE R29 regulations
- **FH16LSL5** Low Sleeper Cab
- **FH16SLP5** Cab - Sleeper - all-steel safety cage design with roof-mounted emergency escape hatch. Designed and built to Swedish impact and ECE R29 regulations
- **FH16XHS5** Globetrotter XL cab - all steel safety cage design with roof mounted emergency escape hatch. Designed and built to Swedish impact and ECE R29 regulations
- **EU6DS** Euro 6 SCR, particulate filter, EGR and dual stage turbo
- **D16K550** Engine - D16K550 16 litre developing 550hp at 1550-1900rpm SCR & EGR. Peak torque 2900Nm at 900-1350rpm. 2800Nm at 900-1400rpm with manual gearbox
- **D16K650** Engine - D16K650 16 litre developing 650hp at 1450-1900rpm SCR & EGR. Peak torque 3150Nm at 950-1450rpm.
- **D16K750** Engine - D16K750 16 litre developing 750hp at 1600-1800rpm SCR & EGR. Peak torque 3550Nm at 950-1400rpm.
- **EBR-EPG** Engine Brake Type - Exhaust brake controlled by steering column switch
- **EBR-VEB+** Engine Brake Type - Volvo engine brake + and exhaust pressure governor, enhanced performance from additional exhaust rocker control. Retardation 375kW
- **AT2812F** Gearbox - AT2812E 12-speed "I-shift" automated mechanical suitable for gross train weights up to 60 tonne. Refer to sales engineering when used in conjunction with a PTO
- **ATO3112F** Gearbox - ATO3112F 12-speed "I-shift" overdrive automated mechanical, suitable for gross train weights up to 60tonne. Refer to sales engineering when used in conjunction with a PTO
- **ATO3512F** ATO3512F 12-speed "I-shift" automated mechanical, suitable for gross train weights up to 60 tonne. Refer to sales engineering when used in conjunction with a PTO
- **ASO-C** Crawler gear - Ratio direct top gearbox 19:1 Ratio Overdrive gearbox 17:1
- **ASO-ULC** Ultra low crawler and crawler gear - Ratios direct top gearbox 32:1 and 19:1 Ratios Overdrive box 32:1 and 17:1
- **RTH2610F** Drive Axles - RTH2610F 26-tonne hub reduction tandem with differential and cross locks\* - design GCW 100tonne \* Cross locks replaced by a dog clutch if tandem axle lift is specified.
- **RTH3210F** Drive Axles - RTH3210F 32-tonne hub reduction tandem with differential and cross locks\* - design GCW 100 tonne \* Cross locks replaced by a dog clutch if tandem axle lift is specified.
- **RTH3312** Drive Axles - RTH3312 33-tonne hub reduction tandem with differential and cross locks\* - design GCW 120tonne \* Cross locks replaced by a dog clutch if tandem axle lift is specified.
- **RTH3815** Drive Axles - RTH3815 38-tonne hub reduction tandem with differential and cross locks - design GCW 150 tonne
- **RTS2310A** Drive Axles - RTS2310A 23-tonne single reduction tandem with differential and cross locks\*- design GCW 100tonne

- Standard Equipment
- Optional Equipment

For more detailed information about cab and powertrain equipment, please refer to separate specification sheets.

For all possible options and combinations of options please consult your Volvo sales contact who can create a specification to match your requirements using the Volvo Sales Support system (VSS).

The factory reserves the right to modify design and change equipment without previous notification. The specification can vary from country to country.

- **RTS2370A** \* Cross locks replaced by a dog clutch if tandem axle lift is specified Drive Axles - RTS2370A 23-tonne single reduction tandem with differential and cross locks\*- design GCW 70tonne \* Cross locks replaced by a dog clutch if tandem axle lift is specified

## PACKAGES

- **FUELPACK** Fuel Package - Long haul
- **DRIVE16** Drive + Package
- **1LIVING** Sleep & Resting Package - Living one-bed
- **1LIVING+** Sleep & Resting Package - Living one-bed +
- **2LIVING** Sleep & Resting Package - Living two-bed
- **2LIVING+** Sleep & Resting Package - Living two-bed +
- **INFOBAS** Basic media package without secondary display
- **INFODF** Media Information Platform with Dynafleet Support
- **INFOMED** Media Information Platform - Medium level
- **INFONAV** Media Information Platform with Navigation
- **INFONDF** Media Information Platform with Navigation & Dynafleet Support
- **VISI5** Visibility Package
- **SAFE-VE** Active Safety Package
- **SAFE-VE+** Active Safety + Package
- **CHASPAC** Chassis Package Rigid

## CHASSIS

- **FST-PAR** Front suspension type - 2 leaf parabolic springs
- **FST-PAR3** Front suspension type - 3 leaf parabolic springs
- **FAL16.0** Front axle design capacity - 16 tonnes - 2 x 8 tonne front axles
- **FAL18.0** Front axle design capacity - 18 tonnes - 2 x 9 tonne front axles - check tyre load index
- **FAL20.0** Front axle design capacity - 20 tonnes - 2 x 10 tonne front axles - check tyre load index
- **FSM-LUB** Front suspension maintenance - Lubricated rear shackles on pins and bushings
- **FSTAB** Front anti-roll bar - Normal stiffness
- **FSTAB2** Front anti-roll bar - Medium stiffness
- **FSTAB3** Front anti-roll bar - High stiffness
- **RAL23** Rear bogie design capacity - 23 tonne
- **RAL26** Rear bogie design capacity - 26 tonne
- **RAL32** Rear bogie design capacity - 32 tonne
- **RAL38** Rear Bogie Design Capacity - 38 tonne
- **RSTAB1** Rear anti-roll bar - Normal stiffness
- **RSAP2** Rear suspension application - Heavy duty with reinforcements
- **ACTST-TO** Active Steering- Volvo Dynamic Steering - VDS - with extra electronic pump and torque overlay
- **ASFE-BAS** Active steering feature - Basic - Volvo Dynamic Steering - VDS - only
- **ASFE-OG** Active steering feature - Volvo Dynamic Steering - VDS - with stability assist - oversteer
- **ASFE-PO** Active steering feature - Volvo Dynamic Steering - VDS - with personal settings and stability assist
- **ASFE-PS** Active steering feature - Volvo Dynamic Steering - VDS - with personal settings
- **PSS-DUAL** Power steering system - Dual
- **PSP-VAR** Power steering pump - Variable displacement
- **EBS-MED** Brake package - EBS medium including "hill" hold function
- **AUXPARK** Auxiliary parking brake - Additional spring brakes
- **RST-MUL** Rear suspension type - Multi-leaf spring
- **RST-PAR1** Rear suspension type - Parabolic springs
- **RST-PAR5** Rear suspension type - Progressive parabolic springs
- **FST8080** Chassis frame thickness - 8 mm web and flange

# MODEL RANGE

## NEW FH 16 8x4 Rigid - B/T ride - N3 FH 84RF 6L

- FIL-EEEB** Chassis frame inner liner - From the end of the engine to the end of the bogie
- FIL-EEEF** Chassis frame inner liner - From the end of the engine to end of the frame
- FIL-FBEB** Chassis frame inner liner - Over the rear bogie
- FIL-FBEF** Chassis frame inner liner - From the front of bogie to the end of the frame
- FIL-TXEB** Chassis frame inner liner - From gearbox member to the end of the bogie
- FIL-TXEF** Chassis frame inner liner - From gearbox member to the end of the frame
- 2BAT210B** Battery Capacity - 2 x 210 Ah - Gel type
- 2BAT210C** Battery Capacity - 2 x 210 Ah - AGM Absorbent Glass-fibre Material type
- 2BATT170** Battery Capacity - 2 x 170 Ah on the left-hand side
- BATTAMP** Battery management - Voltage and current gauge
- BATTIND** Battery management - Charge indicator
- ADR2** ADR Adaptation - For transportation of dangerous goods on the road - Note does NOT include safe loading pass package if required this is quoted separately
- MSWI-A** Battery master switch - ADR switch circuit shut down
- MSWI-C** Battery master switch - Chassis mounted toggle by the battery box
- MSWI-R** Battery master switch - Key fob operated remote controlled
- UR-FUEL** Without right-hand fuel tank  
Min volume 255l  
Max volume 810l
- UL-FUEL** Without left fuel tank  
Min volume 160l  
Max volume 450l
- ADTP-L** AdBlue tank position - Chassis mounted on the left-hand side
- ADTP-R** AdBlue tank position - Chassis mounted on the right-hand side
- ADB032** Plastic AdBlue tank - 32 litres
- ADB048** Plastic AdBlue tank - 48 litre
- ADB064** Plastic AdBlue tank - 64 litre
- FCAP-L** Diesel and AdBlue filler cap - Locking
- FUFF-AS** Fuel filler - Anti-spill device
- FUFF-ATS** Fuel filler - Anti-spill & anti-syphon device
- ESH-LEFT** Exhaust - Horizontal silencer - left outlet
- ESH-REAR** Exhaust - Horizontal silencer - rear outlet
- ESH-RIGH** Exhaust - Horizontal silencer - right outlet
- ESH-VERT** Exhaust - Horizontal silencer - vertical outlet
- EXST-SSP** Stainless steel exhaust stack - NOT polished
- EXST-ST** Steel exhaust stack
- WHC-FIX2** Wheel chocks - Two fixed design
- WHC-FOL2** Two foldable wheel chocks
- WHCP-F** Wheel chock carrier position - In the front part of the vehicle
- WHCP-R** Wheel chock carrier position - In the rear part of the vehicle
- WHCP-T** Wheel chock carrier position - Outer luggage locker
- TB-L80** Toolbox 800 mm, left side
- TB-R80** Toolbox 800 mm, right side
- SUP-BAS** EC approved chassis side guards
- SUP-LOW** EC approved low chassis side guards
- CHAIN-S** Snow chains
- HOOK-SC** Snow chain hooks
- TOWF-NO1** Front towing device - One detachable - stored in cab
- TOWF-NO2** Front towing device - Two detachable - stored in cab
- TOWMBRH** Towing member, high mounted in centre of frame, D = 190
- TOWMBRL1** Towing member, low mounted under the frame
- TOWMBRM** Towing member, medium mounted in line with frame lower flange
- RFEC-S** Rear frame profile - Straight cut
- RFEC-U** Rear frame profile - Slight uppercut for tipper
- C-RI4040** Towing coupling, Ringfeder 4040 G-150
- C-RI5055** Towing coupling, Ringfeder 5055 G-150
- C-RO400G** Towing coupling, Rockinger 400 G-150 for 40mm eyes
- C-RO50** Rockinger RO 50 50mm for centre axle trailer
- TOWR-ONE** Towing hitch attached to rear crossmember
- TREL-PK** Trailer electrical preparation kit - chassis/cab wiring
- TREL14** Single 14 pole electrical trailer connector
- TREL15** Trailer electrical connection - Single 15 pin - ADR certified
- TREL7** 7 pole - 24N trailer electrical suzie
- TREL7-7** Trailer electrical connection - 2 x 7 pin - 24N and 24S
- TBC-DUO** Duomatic type air line connectors
- TBC-EC** Trailer brakes with EC palm coupling connectors
- TRBR-HCF** Full pressure hand controlled trailer brake
- TRBR-STA** Stationary trailer brake control
- TRB-STRE** Stretch Brake - Automatic low speed trailer brake activation to avoid jack-knifing and improve steerability
- RUP-FOSL** Rear underrun protection - Aluminium folding & sliding EC approved
- FFEND-B** Standard mounted mud wings on second front axle
- FFEND-T** Transport mounted mud wings on second front axle
- RFEND-B** Three piece EC approved rear mud wings and spray flaps
- RFEND-T** Rear mud wings - Temporary on drive axle for transport delivery only
- RFH-BAS** Basic rear wing height
- RFH-HIG** High rear wing height - higher wing tops
- RFH-LOW** Lower rear wing height - shallower wing tops
- ATANK-AL** Air tanks - Aluminium
- ATANK-ST** Air tanks - Steel
- TL-LED** Rear lights - LED
- BLIGHT-E** Emergency brake light

### WHEELS & TYRES

- RT-AL** Wheels - Alcoa brushed aluminium rims - standard holes for long stud fixing
- RT-ALDP** Wheels - Alcoa Dura-Bright aluminium rims - standard holes for long stud fixing
- RT-ALDPD** Wheels - Alcoa Dura-Bright EVO aluminium rims - countersunk holes for short stud fixing
- RT-ALDU** Wheels - Alcoa brushed aluminium rims - countersunk holes for short stud fixing
- RT-SPOKE** Spoke rims on all axles
- RT-STEEL** Wheels - Steel rims
- WCAP** Aerodynamic hub caps
- SPWT-D** Spare wheel & tyre with rear tyre pattern
- SPWT-F** Spare wheel & tyre with front tyre pattern
- SWCP-LF** Spare wheel carrier on left side of chassis ahead of rear axle
- SWCP-T** Spare wheel supplied temporarily strapped to chassis
- SWCP-TP** Temporary spare wheel carrier on top of chassis frame
- JACK-12T** 12 tonne bottle jack
- JACK-15T** 15 tonne bottle jack
- JACK-20T** 20 tonne bottle jack
- TOOL-BAS** Basic Toolkit
- TOOLKIT** Complete tool kit
- INFLAHOS** Tyre inflation hose
- GAUGE-TP** Tyre pressure gauge

### DRIVELINE EQUIPMENT

- TRAP-HD** Reinforced gearbox application
- DRM-BE** Balanced & Economy Drive Mode
- PVT-MAP** I-See Predictive Cruise Control - using map based topography information

Standard Equipment       Optional Equipment

For more detailed information about cab and powertrain equipment, please refer to separate specification sheets.

For all possible options and combinations of options please consult your Volvo sales contact who can create a specification to match your requirements using the Volvo Sales Support system (VSS).

The factory reserves the right to modify design and change equipment without previous notification. The specification can vary from country to country.

# MODEL RANGE

## NEW FH 16 8x4 Rigid - B/T ride - N3 FH 84RF 6L

<input type="checkbox"/> <b>CRUIS-E</b>	Eco cruise control (with eco-roll and I-cruise, controls in steering wheel)	<input type="checkbox"/> <b>HPG-F41</b>	Parker F1-41 gearbox mounted, fixed displacement, single flow, hydraulic pump
<input checked="" type="checkbox"/> <b>CRUISEC</b>	Cruise control, standard	<input type="checkbox"/> <b>HPG-F51</b>	Parker F1-51 gearbox mounted, fixed displacement, single flow, hydraulic pump
<input type="checkbox"/> <b>AMSO-AUT</b>	Enhanced I-shift software with manual shift available in auto mode and kickdown facility on accelerator pedal	<input type="checkbox"/> <b>HPG-F61</b>	Parker F1-61 gearbox mounted, fixed displacement, single flow, hydraulic pump
<input type="checkbox"/> <b>AVO-ENH</b>	I-Shift application software - Off-road	<input type="checkbox"/> <b>HPG-F81</b>	Parker F1-81 gearbox mounted, fixed displacement, single flow, hydraulic pump
<input type="checkbox"/> <b>APF-ENH</b>	I-shift enhanced PTO functions	<input checked="" type="checkbox"/> <b>STWPOS-R</b>	Steering wheel position - RIGHT-HAND DRIVE
<input type="checkbox"/> <b>RET-TH</b>	Gearbox mounted retarder	<input checked="" type="checkbox"/> <b>STWM-LE</b>	Leather steering wheel
<input type="checkbox"/> <b>TC-MAOH2</b>	Extra high performance transmission oil cooler - air to oil with front mounted radiator	<input checked="" type="checkbox"/> <b>STGW-AD2</b>	Adjustable steering wheel with neck tilt
<input type="checkbox"/> <b>TC-MWO</b>	Basic transmission oil cooler - water to oil	<input checked="" type="checkbox"/> <b>STGW-ADJ</b>	Adjustable steering wheel
<input type="checkbox"/> <b>2COM1100</b>	Air compressor - Two-cylinder 1100 litres per minute	<input checked="" type="checkbox"/> <b>AIRBAG</b>	SRS Driver's air bag
<input checked="" type="checkbox"/> <b>2COMP900</b>	Air compressor - Two-cylinder 900 litres per minute	<input checked="" type="checkbox"/> <b>DRC-AMII</b>	DPF Regeneration control switch - for manual and switching off regeneration
<input type="checkbox"/> <b>CLU-AIRC</b>	Clutchable air compressor	<input checked="" type="checkbox"/> <b>1DAYDIG2</b>	Tachograph - Continental VDO 4.0
<input type="checkbox"/> <b>AIRIN-FR</b>	Front air intake fitted to the underside of cab engine tunnel	<input type="checkbox"/> <b>ARSL</b>	Additional road speed limit - switch in dashboard
<input checked="" type="checkbox"/> <b>AIRIN-HI</b>	Air intake - Roof-mounted behind cab on the left-hand side	<input type="checkbox"/> <b>ESP-BAS1</b>	Electronic Stability Control
<input type="checkbox"/> <b>AIRIN-LO</b>	Low level air intake behind cab on left hand side	<input type="checkbox"/> <b>ESPC-RO</b>	ESP (Electronic Stability Program) functionality control - Reduced / Off
<input type="checkbox"/> <b>ACL1ST-S</b>	Air filter - two-stage element	<input type="checkbox"/> <b>HWSS-ACB</b>	Adaptive cruise control ACC with forward collision warning and AEBS advanced emergency brake system
<input checked="" type="checkbox"/> <b>24AL120B</b>	Alternator capacity - 120 amp alternator	<input type="checkbox"/> <b>HWSS-FCB</b>	Forward collision warning with AEBS advanced emergency brake system
<input type="checkbox"/> <b>24AL150B</b>	Alternator capacity - 150 amp	<input type="checkbox"/> <b>LSS-DW</b>	Lane departure-warning system
<input type="checkbox"/> <b>CCV-C</b>	Closed crankcase engine ventilation	<input type="checkbox"/> <b>LCS</b>	Lane change support
<input checked="" type="checkbox"/> <b>CCV-OX</b>	Closed crankcase ventilation for cold markets	<input type="checkbox"/> <b>DAS-W</b>	Driver Alert Support system
<input checked="" type="checkbox"/> <b>PRIM-EL</b>	Electrical priming pump	<input type="checkbox"/> <b>RSENS-W</b>	Rain sensing windscreen wipers
<input type="checkbox"/> <b>AF-R</b>	Hot fuel recirculation heated fuel filter	<input checked="" type="checkbox"/> <b>CU-ECC</b>	Cab Climate Unit - Electrically controlled air conditioning with sun sensor
<input checked="" type="checkbox"/> <b>FUEFE2SW</b>	Small engine mounted dual fuel filter with water separator	<input type="checkbox"/> <b>CU-ECC2</b>	Cab Climate Unit - Electrically controlled air conditioning with a carbon filter, sun, mist, and air quality sensor
<input type="checkbox"/> <b>EST-AID</b>	Engine starting aid -Preheating element in the air inlet manifold	<input checked="" type="checkbox"/> <b>IMMOBIL</b>	Thatcham H2 approved immobiliser
<input type="checkbox"/> <b>220EBH15</b>	220V/1.5Kw electric engine block heater	<input type="checkbox"/> <b>ALARM-E</b>	Enhanced vehicle alarm - Thatcham H1 approved - Cab plus external sensor for body/trailer
<input type="checkbox"/> <b>PTER-100</b>	Engine power-take-off - Rear-mounted with DIN100/ISO7646 flange	<input type="checkbox"/> <b>ALCOLOCK</b>	Alcolock
<input type="checkbox"/> <b>PTER-DIN</b>	Engine power-take-off - Rear-mounted with DIN5462 (female) splined shaft for a close-coupled pump Models with 3 steering axles will use this to drive the steering pump (AUXPSP)	<input type="checkbox"/> <b>AMPL400</b>	Radio amplifier, 8 channel, 400 W with subwoofer Located in right hand external storage box
<input type="checkbox"/> <b>PTER1400</b>	Engine power-take-off - Rear-mounted with SAE 1410 flange	<input type="checkbox"/> <b>BUPMON</b>	CLASSIC Video switch & one reverse camera & lead - NEW Digital reverse camera, parameter & lead supplied loose in cab.
<input type="checkbox"/> <b>HPE-F101</b>	Parker F1-101, engine mounted, fixed displacement, single flow, engine mounted hydraulic pump	<input type="checkbox"/> <b>PHONE-PK</b>	Telephone preparation kit (antenna, antenna attachm. cable incl.)
<input type="checkbox"/> <b>HPE-F41</b>	Parker F1-41, engine mounted, fixed displacement, single flow, engine mounted hydraulic pump	<input type="checkbox"/> <b>ISUNS-BS</b>	Side sun visor - Driver & passenger side
<input type="checkbox"/> <b>HPE-F51</b>	Parker F1-51, engine mounted, fixed displacement, single flow, engine mounted hydraulic pump	<input checked="" type="checkbox"/> <b>ISUNS-DS</b>	Side sun visor - Driver-side
<input type="checkbox"/> <b>HPE-F61</b>	Parker F1-61, engine mounted, fixed displacement, single flow, engine mounted hydraulic pump	<input type="checkbox"/> <b>ISUNF-RE</b>	Electrically operated textile interior sun blind
<input type="checkbox"/> <b>HPE-F81</b>	Parker F1-81, engine mounted, fixed displacement, single flow, engine mounted hydraulic pump	<input checked="" type="checkbox"/> <b>ISUNF-RM</b>	Manually operated textile interior sun blind
<input type="checkbox"/> <b>HPE-T53</b>	Parker F2-53/53, engine mounted, Fixed displacement, Twin flow engine mounted hydraulic pump	<input checked="" type="checkbox"/> <b>CSPL-BX</b>	Lower center dash open storage box
<input type="checkbox"/> <b>HPE-T70</b>	Parker F2-70/35, engine mounted, Fixed displacement, Twin flow engine mounted hydraulic pump	<input type="checkbox"/> <b>CSPL-BXD</b>	Lower centre dash drawer
<input type="checkbox"/> <b>HPE-V45</b>	Parker VP1-45, variable displacement, single flow, engine mounted hydraulic pump	<input type="checkbox"/> <b>CSPU-SDR</b>	One open storage and one drawer - behind push open lid - in upper part of the centre dash panel
<input type="checkbox"/> <b>HPE-V75</b>	Parker VP1-75, variable displacement, single flow, engine mounted hydraulic pump	<input checked="" type="checkbox"/> <b>CSPU-SS</b>	Two open storages - behind push open lid in upper part of the centre dash panel
<input type="checkbox"/> <b>PTR-D</b>	Gearbox PTO for plug-in pump, 0.71xeng speed	<input type="checkbox"/> <b>ADFS</b>	Two extra DIN slots in front shelf - can be fitted with card or drawer available as an accessory
<input type="checkbox"/> <b>PTR-DH</b>	Gearbox driven high speed PTO for one plug-in hydraulic pump	<input checked="" type="checkbox"/> <b>BUPALARM</b>	Reverse alarm
<input type="checkbox"/> <b>PTR-DM</b>	Gearbox driven medium speed PTO for one plug-in hydraulic pump	<input type="checkbox"/> <b>RTOLL-PK</b>	Road toll PREPARATION kit for trucks operating with "Toll Collect" in Germany
<input type="checkbox"/> <b>PTR-F</b>	Gearbox driven PTO with rear flange connection		
<input type="checkbox"/> <b>PTRD-D</b>	Gearbox driven HIGH SPEED PTO for two plug-in hydraulic pumps		
<input type="checkbox"/> <b>PTRD-F</b>	PTO with 1 DIN + 1 flange connection rear, manual gearbox		
<input type="checkbox"/> <b>HPG-F101</b>	Parker F1-101 gearbox mounted, fixed displacement, single flow, hydraulic pump		

Standard Equipment

Optional Equipment

For more detailed information about cab and powertrain equipment, please refer to separate specification sheets.

For all possible options and combinations of options please consult your Volvo sales contact who can create a specification to match your requirements using the Volvo Sales Support system (VSS).

The factory reserves the right to modify design and change equipment without previous notification. The specification can vary from country to country.

# MODEL RANGE

## NEW FH 16 8x4 Rigid - B/T ride - N3 FH 84RF 6L

- |  |   |
|--|---|
| <ul style="list-style-type: none"> <li><input type="checkbox"/> <b>REMC-MF</b> Multi-functio wireless remote control</li> <li><input type="checkbox"/> <b>FIREXT3S</b> Fire extinguisher - 3kg mounted on the seat base</li> <li><input type="checkbox"/> <b>WARNVEST</b> High visibility warning vest - no sleeves</li> <li><input type="checkbox"/> <b>AIDKIT</b> First aid kit - Legal demand for EU markets including delivery to EU bodybuilder</li> <li><input type="checkbox"/> <b>AIDKIT1B</b> First aid kit - Legal demand for trucks transiting Germany</li> <li><input type="checkbox"/> <b>WARNLAMP</b> Portable warning lamp</li> <li><input type="checkbox"/> <b>LAMP-IN</b> Inspection lamp</li> <li><input type="checkbox"/> <b>BULBKIT</b> Bulb and fuse kit</li> <li>■ <b>WRITEPAD</b> Writing pad</li> <li>■ <b>DST-CF4</b> Driver seat - Suspended, adjustable shock absorber, travel, backrest &amp; lumbar controls - seatbelt mounted to the seat</li> <li><input type="checkbox"/> <b>DST-CF5</b> Driver seat - Suspended with adjustable shock absorber, travel, backrest, lumbar &amp; heat controls - seatbelt mounted to the seat</li> <li><input type="checkbox"/> <b>DST-CF6</b> Driver seat - Suspended with adjustable shock absorber, travel, backrest, lumbar, heat and ventilation controls - seatbelt mounted to the seat</li> <li><input type="checkbox"/> <b>DST-LUX1</b> Driver seat - Deluxe 1: electrical adjustment with memory function, lumbar support, heating &amp; ventilation - seatbelt mounted to the seat</li> <li><input type="checkbox"/> <b>DST-LUX2</b> Driver seat - Deluxe 2: electrical adjustment with memory function, lumbar support &amp; heating - seatbelt mounted to the seat</li> <li><input type="checkbox"/> <b>SBD-RED</b> Seat belt colour - Red</li> <li><input type="checkbox"/> <b>SBPRE-DS</b> Driver seat belt pretensioner</li> <li><input type="checkbox"/> <b>PST-BAS1</b> Passenger seat - Fixed non suspended fold up with seatbelt mounted in cab</li> <li><input type="checkbox"/> <b>PST-CF4</b> Passenger seat - Suspended, adjustable shock absorber, travel, backrest &amp; lumbar controls - seatbelt mounted to the seat</li> <li><input type="checkbox"/> <b>PST-CF5</b> Passenger seat - Suspended with adjustable shock absorber, travel, backrest, lumbar &amp; heat controls - seatbelt mounted to the seat</li> <li><input type="checkbox"/> <b>PST-RX1</b> Passenger seat - Fixed non suspended, features: 90-degree rotation and tilt function with seatbelt mounted in cab</li> <li><input type="checkbox"/> <b>PST-STD2</b> Passenger seat - Fixed with backrest adjustment, non suspended with seatbelt mounted in cab</li> <li>■ <b>PST-STD4</b> Passenger seat - Standard suspended with seatbelt mounted in cab</li> <li><input type="checkbox"/> <b>SBPRE-PS</b> Passenger seat belt pretensioner</li> <li>■ <b>ARMRE-BB</b> Armrests - Two on both driver &amp; passenger seats</li> <li>■ <b>ARU-LEA</b> Armrest upholstery - Leather</li> <li>■ <b>GRABHI-L</b> Leather covered instep cab grab handle</li> <li><input type="checkbox"/> <b>FMAT-RUB</b> Footwell floor mats - Rubber</li> <li>■ <b>FMAT-TX2</b> Footwell floor mats - Two sets, Rubber and textile with an embossed pile supplied in the cab</li> <li>■ <b>LBK80F</b> Lower fixed bunk with wide middle section 815 in the centre x 2000 mm</li> <li><input type="checkbox"/> <b>LBK80FRE</b> Lower electrically operated recline bunk with wide middle section 815 in the centre x 2000 mm</li> <li><input type="checkbox"/> <b>LBK80FRM</b> Lower manually operated recline bunk with wide middle section 815 in the centre x 2000 mm</li> <li><input type="checkbox"/> <b>MATL-FI</b> Firm lower bunk pocket sprung mattress</li> <li><input type="checkbox"/> <b>MATL-FI4</b> Lower mattress - firm, memory foam, 2000x700x130 mm</li> <li>■ <b>MATL-SF</b> Lower flexizone mattress - semi-firm, pocket springs up to 100kg - 16 stone</li> <li><input type="checkbox"/> <b>OLMAT-BA</b> 35mm mattress overlay protector</li> <li>■ <b>OLMAT-PR</b> 50mm premium mattress overlay protector</li> <li><input type="checkbox"/> <b>TBK60AD</b> Height adjustable foldable top bunk 600 x 1900mm</li> <li><input type="checkbox"/> <b>TBK60F</b> Fixed foldable top bunk 600 x 1900mm</li> <li><input type="checkbox"/> <b>TBK70AD</b> Height adjustable foldable top bunk 700 x 1900mm</li> <li><input type="checkbox"/> <b>TBK70F</b> Fixed foldable top bunk 700 x 1900mm</li> </ul> | <ul style="list-style-type: none"> <li><input type="checkbox"/> <b>PH-CAB2</b> 1.8kW Air to air night heater</li> <li><input type="checkbox"/> <b>PH-ENGCA</b> Engine and cab night heater</li> <li>■ <b>SLCP-BAS</b> Sleeper control panel - Basic with switches for interior light, night heater, roof hatch and door lock</li> <li><input type="checkbox"/> <b>SLCP-LUX</b> Sleeper control panel - Luxury with switches for interior light, night heater, roof hatch, door lock, alarm clock, window and radio</li> <li><input type="checkbox"/> <b>SAFE</b> Safe box for driver's personal items</li> <li><input type="checkbox"/> <b>RUS-BAS</b> Rear cab upper storage - 300 mm high</li> <li><input type="checkbox"/> <b>RUS-HIG</b> Rear cab upper storage - 440 mm high - volume 245 litres</li> <li><input type="checkbox"/> <b>TABLE</b> Folding and height adjustable table - on lower bunk</li> <li><input type="checkbox"/> <b>REFR-RUS</b> Fridge - 28 litre rear upper wall mounted with dividers</li> <li><input type="checkbox"/> <b>REFRIG</b> Fridge - 33 litre under-bunk mounted with freezer dividers</li> <li><input type="checkbox"/> <b>MICRO-PK</b> Wiring preparation kit for microwave oven</li> <li><input type="checkbox"/> <b>BOTH-D</b> One bottle holder under dashboard centre section</li> <li><input type="checkbox"/> <b>BOTH-DL</b> Two bottle holders, one under dashboard centre section and one mounted to the under bunk drawer</li> <li><input type="checkbox"/> <b>BOTH-L</b> One bottle holder mounted to the under bunk drawer</li> <li><input type="checkbox"/> <b>COFMA-PK</b> Coffee maker, preparation kit.</li> <li><input type="checkbox"/> <b>INLI-BAS</b> Interior white LED lights - basic</li> <li><input type="checkbox"/> <b>INLI-NL</b> Interior white and red night LED light with no dimmer</li> <li>■ <b>INLI-NLD</b> Interior white and red night LED light with dimmer</li> <li><input type="checkbox"/> <b>ARL-FLEX</b> Two flexible reading lamps (snake lamps)</li> <li>■ <b>RH-EE</b> Fixed tinted glass sky window with emergency exit</li> <li><input type="checkbox"/> <b>RH-ER</b> Steel roof hatch - Electrically operated, rear opening with emergency exit</li> <li><input type="checkbox"/> <b>RH-ETR</b> Tinted glass roof hatch - Electrically operated, rear opening with emergency exit</li> <li><input type="checkbox"/> <b>RH-MTR</b> Tinted glass roof hatch - Manually operated, rear opening with emergency exit</li> <li>■ <b>GLAS-TIN</b> Tinted windows.</li> <li><input type="checkbox"/> <b>SWIND-BS</b> Extra side window on both sides behind "B" pillar</li> <li>■ <b>VANMIR</b> Vanity mirror in front shelf</li> <li><input type="checkbox"/> <b>AS-FUS</b> Extra shelf in front upper storage compartments</li> <li><input type="checkbox"/> <b>INFOT-PK</b> Preparation kit for the mounting of a flat screen TV in cab above the driver's door, includes bracket, electrical and speaker connections</li> </ul> |
|--|---|
- Standard Equipment      □ Optional Equipment

### CAB EXTERIOR

- EXTL-BAS** Basic exterior finish - Satin Volvo badges, grey grille, instep, bumper, bumper spoiler, grille, door handles mirror housing and sunvisor if specified.
- **EXTL-EN3** Enhanced exterior finish - Waterfall Grille. Chrome Volvo badges and door handles. Instep, bumper and bumper spoiler in cab colour if specified. Aluminium step inserts. Mirror housing and sun visor if specified with silver accents.
- **DGLAS-H** Tempered door glass
- DGLAS-L** Laminated door glass
- **LOCK-REM** Door locks - Remote central locking
- BUMP-B** Plastic front bumper
- **BUMP-B2** Steel front bumper
- BUMP-HD** Heavy duty front bumper
- BUMP-SP** Front bumper spoiler
- GUARD-EH** Engine guard to protect sump and engine hoses
- **BUGNET** Insect screen in front of radiator
- CTILT-P-E** Electrically operated hydraulic cab tilt
- **CTILT-P-M** Manually operated hydraulic cab tilt
- FCABS-A** Front cab suspension - Air
- **FCABS-M** Front cab suspension - Mechanical spring
- RCABS-A** Rear cab suspension - Air
- **RCABS-M** Rear cab suspension - Mechanical spring

For more detailed information about cab and powertrain equipment, please refer to separate specification sheets.

For all possible options and combinations of options please consult your Volvo sales contact who can create a specification to match your requirements using the Volvo Sales Support system (VSS).

The factory reserves the right to modify design and change equipment without previous notification. The specification can vary from country to country.

# MODEL RANGE

NEW FH 16 8x4 Rigid - B/T ride - N3 FH 84RF 6L

- **HCC-INEX** Exterior and interior hood catch control
- **MIRFCFCS** Mirrors - Electrically heated and operated main and wide-angle with manually adjusted kerb view mirror on the passenger side and position camera in nearside mirror arm.
- **MIRCOMF** Electrically heated and operated main and wide angle mirrors and manually adjusted kerb view mirror on passenger side
- **MIRSTD** Electrically heated main and wide angle mirrors and manually adjusted kerb view mirror on passenger side
- **AMIR-F20** Auxiliary front view mirror with a 200mm radius
- **SUNV-H** External smoke grey sunvisor
- **AD-ROOF** Roof air deflector
- **AD-SIDES** Short cab side air deflector for rigid bodywork
- **HL-BASIC** Halogen H7 head lamps
- **HL-CLEAN** Head lamp cleaner - washer jets
- **HLP-ST** Headlamp protection
- **DRIVL2** Two spot lamps
- **UDRIVL** Without auxiliary driving lights
- **FOGL-WC** Front fog lights
- **CL-STAT** Static corner lights
- **ASL-RF2** Two Hella H11 70W spotlamps in sign box - only available with the basic headlight and no lower driving lights.
- **BEACOA2F** Roof beacons - Two amber front
- **BEACOA2R** Roof beacons - Two amber rear roof-mounted on accessory bracket
- **BEACON-P** Roof beacons - wiring preparation only
- **BEACONA4** Roof beacons - Four amber - two front/ two rear
- **CABPT-R1** Single outlet for roof mounted accessories
- **CABPT-R2** Twin outlets for roof mounted accessories.
- **SPOTP-F** Spotlamp preparation in front, max 280W
- **SPOTP-R** Spotlamp preparation on roof, max 280W
- **SPOTP-RF** Spotlamp preparation on cab roof and in cab front, max 2x280W
- **ROS-IL2** Preparation kit for illuminated roof sign with switch loose in cab, fit after registration
- **CSGN-ENG** Engine size and power headboard logo
- **CSGN-GTR** "Globetrotter" headboard logo
- **HORN-F1S** Horn - Air single tone - chassis mounted
- **HORN-R2S** Horn - Air - Two roof-mounted
- **ANT-CBR** Roof mounted antenna for CB radio, single aerial
- **ACCBP-AP** Front, middle & rear roof mounted accessory brackets
- **ACCBP-F** Front roof mounted accessory bracket
- **ACCBP-FM** Front & middle roof mounted accessory brackets
- **ACCBP-FR** Front & rear roof mounted accessory brackets
- **ACCBP-M** Middle roof mounted accessory bracket
- **ACCBP-R** Rear roof mounted accessory bracket
- **ACCBP-RM** Rear & middle roof mounted accessory brackets
- **STUC-B** Left and right storage compartments under cab
- **STUC-L** Left storage compartment under cab
- **STUC-R** Right storage compartment under cab
- **REFS-TW** White cab conspicuity markings by packed in cab
- **REFS-TY** Yellow cab conspicuity markings by packed in cab
- **SWL-PK** Chassis-mounted working lamps - Side work lamp preparation and 2 position switch - Max load 280W
- **WLC-H2W** Two H3/70W white working lamps high mounted on the back of cab
- **WLC-PKCH** Working lamp back of cab - Preparation kit - cables and switch
- **WLC-PKH** Preparation kit, cables and switch for high mounted working lamps back of cab
- **WLC-PKL** Preparation kit, cables and switch for low mounted working lamps back of cab
- **WLC-PKLH** Preparation kit - cables and switch for low and high mounted working lamps back of cab.
- **ECBB-HIG** Body builder electrical centre with body builder module
- **BBCHAS1** One 7-pole connector for Body builder interface
- **BBCHAS3** Three 7-pole connectors for Body builder interface
- **BEPR-T2** Body builder electrical software preparation for tipper with remote control
- **EXSTER** External steering control - Volvo dynamic steering and bodybuilder module prepared for external control system, installed and computer by bodybuilder
- **TD-LED** Trailer detection with LED sensing
- **FRFS-B5** Frame rail free space on both sides to give space for crane legs or other equipment.
- **FBA-BTF** Lower front body attachments for torsionally flexible - platform body
- **FBA-BT5F** Lower front body attachments for torsionally semi-flexible body - box or curtainsider
- **HBA-FSFB** Holes for body attachments - flexible/semi-flexible body
- **HBA-SB** Holes for body attachments - stiff body
- **RBA-T2** Lower rear body attachments for helper frame
- **CRANEPK1** Crane plates mounted to frame, for cranes up to 10 tonne metre capacity
- **CRANEPK2** Crane plates mounted to frame, for cranes up to 20 tonne metre capacity
- **CRANEPK4** Crane plates mounted to frame, for cranes up to 40 tonne metre capacity
- **AUXL-SPK** Electrical preparation kit - wiring and switch for snow plough lights
- **TAILPRE2** Tail lift preparation kit, wireless remote operation
- **TAILPREP** Taillift preparation kit - cab switch and warning in driver display
- **AESW2** Two Body builder bistable electrical switches (marked AUX1 / AUX2)
- **AESW2PK** 2 Body builder bistable el.switches (marked AUX1/AUX2) and prep. for 4 more switches
- **AUXSW-4** Wiring for 4 extra switches (from Body builder electrical centre to switch positions)

## DELIVERY SERVICES

- **TGW-4GWL** Telematics gateway - GSM/GPRS/4G modem, LTE & WLAN
- **FMS-PK** Fleet Management System gateway
- **DRUT2** Driver utility app - "My Truck" - two-year subscription For mobile phone, tablet, with android and IOS systems. Only available with Volvo Connect subscription

## SUPERSTRUCTURE PREPARATIONS

- **SRWL-PK** Chassis-mounted working lamps - Side work and reverse lamp preparation and 3 position switch - Max load 280W
- **SWL-2FW** Chassis-mounted working lamps - Two white front-mounted LED lamps
- **SWL-2RW** Chassis-mounted working lamps - Two white rear-mounted LED lamps
- **SWL-4W** Chassis-mounted working lamps - Four white front and rear-mounted LED lamps

# VOLVO

Volvo Truck Corporation  
volvotrucks.com