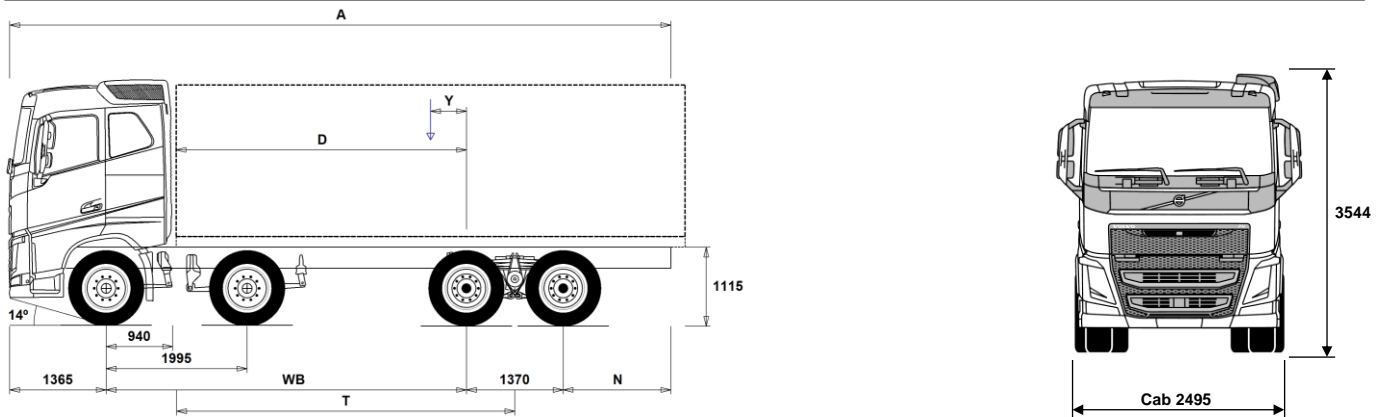


MODEL RANGE



Volvo Trucks. Driving Progress

FH 13 8x4 Rigid - High B Ride - N3 Cranked front axle for on road work FH 84F R3HB



Chassis Dimensions [mm]

WB Wheelbase	5100	5600
A Overall Chassis Length	10660	11410
D Center of rear axle to front of body	4110	4610
N Rear Overhang (Min.)	1225	1225
N Rear Overhang (Max.)	2825	3075
T Theoretical Wheelbase	4788	5288
Y Center of Gravity for Payload (Min.)	637	781
Y Center of Gravity for Payload (Max.)	1279	1492

Chassis Weights [kg]

Front Axles	6810	6805
Rear Bogie	2820	2890
Kerb Weight	9630	9695
Payload (including body, driver, fuel, etc.)	22370	22305

Turning Diameter [mm]

Turning Circle Diameter Kerb to Kerb	20600	22200
Turning Circle Diameter Wall to Wall	22000	23600

Plated Weights [kg]

	Plated	Design
Gross Vehicle Weight	32000	37000
Gross Combination Weight	44000	44000
Front Axles	16000	16000
Rear Bogie	19000	21000

Important Notes

Chassis Dimensions

Cab Height: +305 mm for CAB-HSLP, -283 mm for CAB-LSLP, +450 mm for CAB-XHSL.

D-measure includes a front clearance of 50 mm and for rigid trucks also a subframe of 100 mm.

Height can vary ± 20 mm for leaf and ± 10 mm for air suspension.

All dimensions are for unladen chassis and any tag axles down.

Rear overhang used for vehicle weight calculation is the maximum rear overhang (N Max.) for selected wheelbase.

Weight and dimensions are based upon the following tyres:

Front Axle Tyres:	315/80R22.5
Drive Axle Tyres:	315/80R22.5

Chassis weight includes oil, water, AdBlue, 0 litres fuel and without driver. Kerb weight can vary $\pm 3\%$.

Turning diameters are theoretically calculated.

Legal weights can differ from country to country.

For more detailed weight information, including optional equipment weights, ask your Volvo sales contact to enter your specification into the Volvo Weight Information system (WIS).

Do NOT use this drawing for bodybuilding. Refer to Volvo Bodybuilder Instructions and chassis assembly drawing FH84FR3HB.

MODEL RANGE

FH 13 8x4 Rigid - High B Ride - N3 Cranked front axle for on road work FH 84F R3HB

TRUCK USE

- **RC-ROUGH** Operating class on/off road
- **TIPP-PRE** Tipper vehicle preparation
- **UNIFORM** Basic platform vehicle

CORE COMPONENTS

- **CHH-HIGH** Chassis height high - N3 "On Road" chassis - For a specific loading height always check the unique BEP chassis drawing
- **RADD-BR** B-ride rear three spring bogie suspension
- **FH-HSLP** Globetrotter cab - all steel safety cage design with roof mounted emergency escape hatch. Designed and built to Swedish impact and ECE R29 regulations
- **FH-SLP** Sleeper cab - all steel safety cage design with roof mounted emergency escape hatch. Designed and built to Swedish impact and ECE R29 regulations
- **FH-XHSL** Globetrotter XL cab - all steel safety cage design with roof mounted emergency escape hatch. Designed and built to Swedish impact and ECE R29 regulations
- **EU6SCR** Emission level - Euro 6
- **D13 420S** D13K420 12.8 litre engine developing 420hp at 14-1800rpm. Peak torque 2100Nm at 860 -1400rpm.
- **D13 460S** D13K460 12.8 litre engine developing 460hp at 14-1800rpm. Peak torque 2300Nm at 900-1400rpm.
- **D13 500S** D13K500 12.8l engine developing 500hp at 14-1800rpm. Peak torque 2500Nm at 1000-1400rpm.
- **D13 540S** D13K540 12.8l engine developing 540hp at 14-1800rpm. Peak torque 2600Nm at 1000-1450rpm.
- **D13K420** D13K420 - 420hp engine
- **D13K460** D13K460 - 460hp engine
- **D13K500** D13K500 - 500hp engine
- **D13K540** D13K540 - 540hp engine
- **EBR-EPG** Exhaust brake controlled by steering column switch
- **EBR-EPGC** Exhaust pressure governor for I shift gearbox
- **EBR-VEB+** Volvo engine brake + and exhaust pressure governor, enhanced performance from additional exhaust rocker control. Retardation 375kW
- **AT2612F** AT2612F 12-speed "I-shift" automated mechanical gearbox suitable for gross train weights up to 60tonne only refer to sales engineering when used in conjunction with a PTO
- **ATO2612F** ATO2612F 12-speed "I-shift" overdrive automated mechanical gearbox suitable for gross train weights up to 60tonne refer to sales engineering when used in conjunction with a PTO
- **SPO2812** SPO2812 - 12 speed I-shift Dual Clutch automated mechanical gearbox GCW 60tonne
- **RTH2610F** RTH2610F hub reduction tandem 26tonne drive axles, GCW 100 tonnes with differential and cross locks*
* Cross locks replaced by a dog clutch if tandem axle lift is specified
- **RTS2310A** RTS2310A single reduction tandem 23tonne drive axles with differential and cross locks* - design GCW 100tonnes.
* Cross locks replaced by a dog clutch if tandem axle lift is specified.
- **RTS2370A** RTS2370A single reduction tandem 23tonne drive axles with differential and cross locks* - design GCW 70tonnes.
* Cross locks replaced by a dog clutch if tandem axle lift is specified.

PACKAGES

- **DRIVE** Cab Package: Drive
- **DRIVE+** Cab Package: Drive +
- **DRIVE++** Cab Package: Drive ++
- **1BED** Living package with single bed:
- **1BED+** Living package with single bed plus:

- **2BED** Living package with two beds:
- **2BED+** Living package with two beds plus:
- **AUDHIG** High Power Audio system: RDS radio with CD player - also playing MP3/WMA files from CD -, with integrated bluetooth phone and USB/Line inputs. FM/AM antenna, speakers in dashboard, doors, and sleeping compartment.
- **MEDIA** AM/FM Bluetooth radio without CD player. USB and Aux line inputs. Speakers in dashboard, doors, and sleeping compartment. 7" touch screen with personal apps.
- **MEDIA DF** AM/FM Bluetooth radio without CD player. USB and Aux line inputs. Speakers in dashboard, doors, and sleeping compartment. 7" touch screen with personal and professional apps. Dynafleet vehicle on-board data display with office internet support.
- **MEDIA NAV** AM/FM Bluetooth radio without CD player. USB and Aux line inputs. Speakers in dashboard, doors, and sleeping compartment. 7" touch screen with personal and professional apps. Truck based satellite navigation (live updates not included)
- **MEDIA NDF** AM/FM Bluetooth radio without CD player. USB and Aux line inputs. Speakers in dashboard, doors, and sleeping compartment. 7" touch screen with personal and professional apps. Truck based satellite navigation (live updates not included) Dynafleet vehicle on-board data display with office internet support.
- **VISI15** Visibility Package
- **RCHAPAC1** Chassis Package Rigid

CHASSIS

- **FST-PAR** Front suspension type - 2 leaf parabolic springs
- **FST-PAR3** Front suspension type - 3 leaf parabolic springs
- **FAL16.0** Front axles design capacity 16 tonnes - 2 x 8.0 tonne front axles
- **FAL18.0** Front axles design capacity 18 tonnes - 2 x 9 tonne front axles - check tyre load index
- **FAL20.0** Front axles design capacity 20 tonnes - 2 x 10.0 tonne front axles only available with front air suspension.
- **FSM-LUB** Lubricated rear shackles on front suspension pins and bushings
- **FSTAB** Front anti-roll bar
- **FSTAB2** Front anti-roll bar medium stiffness
- **FSTAB3** Front stiff anti-roll bar
- **RAL21** Rear bogie design capacity 21 tonnes
- **RSTAB1** Rear anti-roll bar
- **ACTST-TO** Volvo Dynamic Steering (VDS) with with extra electronic pump and torque overlay
- **ASFE-BAS** Active steering feature - Basic - Volvo Dynamic Steering only
- **ASFE-PS** Active steering feature - Volvo Dynamic Steering with personal settings
- **PSS-DUAL** Dual power steering system
- **PSP-VAR** Power steering pump with variable displacement
- **EBS-MED** EBS medium package including "hill" hold function
- **RST-PAR1** Rear Suspension, Parabolic springs
- **FBREG-E** Front regulating brake valve, EBS
- **FST8080** Frame thickness - web and flange 8.0mm
- **FIL-EEEE** Inner liner from end of engine to end of bogie
- **FIL-EEEE** Inner liner from end of engine to end of frame
- **FIL-FBEB** Inner liner over rear bogie
- **FIL-FBEF** Inner liner from front of bogie to end of frame
- **FIL-TXEB** Inner liner from gearbox member to end of bogie
- **FIL-TXEF** Inner liner from gearbox member to end of frame
- **BBOX-L** Battery box located on left hand side

- Standard Equipment
- Optional Equipment

For more detailed information about cab and powertrain equipment, please refer to separate specification sheets.

For all possible options and combinations of options please consult your Volvo sales contact who can create a specification to match your requirements using the Volvo Sales Support system (VSS).

The factory reserves the right to modify design and change equipment without previous notification. The specification can vary from country to country.

MODEL RANGE

FH 13 8x4 Rigid - High B Ride - N3 Cranked front axle for on road work FH 84F R3HB

- 2BAT210B** 2 x 210 Ah capacity Gel batteries
- 2BATT170** 2 x 170 Ah capacity batteries
- 2BATT225** 2 x 225 Ah capacity batteries
- BATTAMP** Battery voltage and ampere gauge
- BATTIND** Battery charge indication
- ADR2** ADR package for transportation of dangerous goods on road (Note does NOT include safe loading pass package if required this is quoted separately)
- MSWI-A** Main switch - ADR switch circuit shut down
- MSWI-C** Main switch - Chassis mounted toggle switch by battery box
- MSWI-R** Main switch - Key fob operated remote controlled
- UR-FUEL** Without right fuel tank
Min volume 255l
Max volume 810l
- UL-FUEL** Without left fuel tank
Min volume 160l
Max volume 450l
- ADTP-L** AdBlue tank on left hand side
- ADTP-R** AdBlue tank on right hand side
- ADB032** AdBlue tank usable volume 32 litres
- ADB048** AdBlue tank usable volume 48 litres
- ADB064** AdBlue tank usable volume 64 litres
- FCAP-L** Locking fuel filler cap
- FUFF-AS** Fuel filling anti-spillage device
- FUFF-ATS** Fuel filling anti-theft and anti-spillage devices
- ESH-LEFT** Horizontal silencer, left exhaust outlet
- ESH-REAR** Horizontal silencer, rear exhaust outlet
- ESH-RIGH** Horizontal silencer, right exhaust outlet
- ESH-VERT** Horizontal silencer, vertical exhaust outlet
- ESHVERT** Horizontal chassis mounted diesel particulate filter and vertical SCR silencer behind cab
- EXST-SSP** Stainless steel exhaust stack - NOT polished
- EXST-ST** Steel exhaust stack
- WHC-FIX2** Two fixed wheel chocks
- WHC-FOL2** Two foldable wheel chocks
- WHCP-F** Wheel chock(s) stored in the front part of the vehicle
- WHCP-R** Wheel chock(s) stored in the rear part of the vehicle
- WHCP-T** Transport mounted wheel chock(s) stored in cab outer luggage locker
- TB-L80** Toolbox 800 mm, left side
- TB-R80** Toolbox 800 mm, right side
- SUP-BAS** EC approved chassis side guards
- SUP-LOW** EC approved low chassis side guards
- CHAIN-S** Snow chains
- HOOK-SC** Snow chain hooks
- TOWF-NO1** One front towing device
- TOWF-NO2** Two front towing devices
- TOWMBRH** Towing member, high mounted in centre of frame, D = 190
- TOWMBRL1** Towing member, low mounted under the frame
- TOWMBRM** Towing member, medium mounted in line with frame lower flange
- RFEC-S** Rear frame end, straight cut for regular platform applications
- RFEC-U** Rear frame end, upper cut for tipper applications.
- C-RI4040** Towing coupling, Ringfeder 4040 G-150
- C-RI5055** Towing coupling, Ringfeder 5055 G-150
- C-RO400G** Towing coupling, Rockinger 400 G-150 for 40mm eyes
- C-RO50** Rockinger RO 50 50mm for centre axle trailer
- TOWR-ONE** Towing hitch attached to rear crossmember
- TREL-PK** Trailer electrical preparation kit - chassis/cab wiring
- TREL14** Single 14 pole electrical trailer connector
- TREL15** Single 15 pole electrical trailer connector - ADR certified
- TREL7** 7 pole - 24N trailer electrical suzie
- TREL7-7** 24N and 24S trailer electrical suzies
- TBC-DUO** Duomatic type air line connectors
- TBC-EC** Palm coupling type air line connectors
- TRBR-HCF** Full pressure hand controlled trailer brake
- TRBR-STA** Stationary trailer brake control
- TRB-STRE** Stretch Brake - Automatic low speed trailer brake activation to avoid jack-knifing and improve steerability
- RUP-FOSL** Folding & sliding EC approved aluminium rear underrun
- FFEND-B** Standard mounted mud wings on second front axle
- FFEND-T** Transport mounted mud wings on second front axle
- RFEND-B** Three piece EC approved rear mud wings and spray flaps
- RFEND-T** Rear mud wings, transport mounted
- RFH-BAS** Basic rear wing height
- RFH-HIG** High rear wing height - higher wing tops
- RFH-LOW** Lower rear wing height - shallower wing tops
- ATANK-AL** Aluminium air tanks
- ATANK-ST** Steel air tanks
- TL-LED** Rear lights LED
- BLIGHT-E** Emergency brake light

WHEELS & TYRES

- RT-AL** Alcoa brushed aluminium rims with standard holes for long stud fixing on all axles
- RT-ALDP** Alcoa Dura-Bright EVO aluminium rims with standard holes long stud fixing on all axles, requires cleaning with a ph neutral solution - washing up liquid.
- RT-ALDPD** Alcoa Dura-Bright EVO aluminium rims with countersunk holes for short stud fixing on all axles, requires cleaning with a ph neutral solution - washing up liquid.
- RT-ALDU** Alcoa brushed aluminium rims with countersunk holes for short stud fixing on all axles
- RT-SPOKE** Spoke rims on all axles
- RT-STEEL** Steel rims on all axles
- WCAP** Aerodynamic hub caps
- SPWT-D** Spare wheel & tyre with rear tyre pattern
- SPWT-F** Spare wheel & tyre with front tyre pattern
- SWCP-LF** Spare wheel carrier on left side of chassis ahead of rear axle
- SWCP-T** Spare wheel supplied temporarily strapped to chassis
- SWCP-TP** Temporary spare wheel carrier on top of chassis frame
- JACK-12T** 12 tonne bottle jack
- JACK-15T** 15 tonne bottle jack
- JACK-20T** 20 tonne bottle jack
- TOOL-BAS** Basic Toolkit
- TOOLKIT** Complete tool kit
- INFLAHOS** Tyre inflation hose
- GAUGE-TP** Tyre pressure gauge

DRIVELINE EQUIPMENT

- ASO-C** Crawler gear -
Ratio direct top gearbox 19:1
Ratio Overdrive gearbox 17:1
- ASO-ULC** Ultra low crawler and crawler gear -
Ratios direct top gearbox 32:1 and 19:1
Ratios Overdrive box 32:1 and 17:1
- TRAP-HD** Reinforced gearbox application
- TP-CON** Construction Package
- TP-DIST** Distribution Package
- TP-HD** I-shift software - Heavy duty for high GCW
Special conditions apply consult Sales Engineering
- TP-LONG** Long Haul Package
- AMSO-AUT** Enhanced I-shift software with manual shift available in auto mode and kickdown facility on accelerator pedal

Standard Equipment Optional Equipment

For more detailed information about cab and powertrain equipment, please refer to separate specification sheets.

For all possible options and combinations of options please consult your Volvo sales contact who can create a specification to match your requirements using the Volvo Sales Support system (VSS).

The factory reserves the right to modify design and change equipment without previous notification. The specification can vary from country to country.

MODEL RANGE

FH 13 8x4 Rigid - High B Ride - N3 Cranked front axle for on road work FH 84F R3HB

- | | |
|--|---|
| <ul style="list-style-type: none"> <input type="checkbox"/> AVO-ENH Enhanced software for off road driveability and starting <input type="checkbox"/> APF-ENH I-shift enhanced PTO functions <input type="checkbox"/> RET-TH Gearbox mounted retarder <input type="checkbox"/> TC-MAOH2 Extra high performance transmission oil cooler - air to oil with front mounted radiator <input type="checkbox"/> TC-MWO Basic transmission oil cooler - water to oil <input type="checkbox"/> 1COMP530 Single cylinder, air compressor, 530 litres per minute <input type="checkbox"/> 2COM1100 Two cylinder, air compressor, 1100 litres per minute <input checked="" type="checkbox"/> 2COMP900 Two cylinder, air compressor, 900 litres per minute <input type="checkbox"/> CLU-AIRC Clutchable air compressor <input type="checkbox"/> AIRIN-FR Front air intake fitted to the underside of cab engine tunnel <input checked="" type="checkbox"/> AIRIN-HI Roof mounted air intake behind cab on left hand side <input type="checkbox"/> AIRIN-LO Low level air intake behind cab on left hand side <input type="checkbox"/> ACL1ST-S Two stage air filter <input checked="" type="checkbox"/> 24AL110B 110 amp alternator <input type="checkbox"/> 24AL120B 120 amp alternator <input type="checkbox"/> 24AL150B 150 amp alternator <input checked="" type="checkbox"/> CCV-C Closed crankcase engine ventilation <input type="checkbox"/> CCV-OX Closed crankcase ventilation for cold markets <input checked="" type="checkbox"/> PRIM-EL Electrical priming pump <input type="checkbox"/> PRIM-MAN Manual priming pump <input type="checkbox"/> FUEQ-EH Fuel line electric heater <input type="checkbox"/> AF-R Hot fuel recirculation heated fuel filter <input type="checkbox"/> FUEFE2LW Large engine mounted dual fuel filter with water separator <input checked="" type="checkbox"/> FUEFE2SW Small engine mounted dual fuel filter with water separator <input type="checkbox"/> EST-AID Air inlet manifold starting heater element <input type="checkbox"/> 220EBH15 220V/1.5Kw electric engine block heater <input type="checkbox"/> PTER-100 Rear engine mounted power-take-off with DIN 100 / ISO 7646 flange <input type="checkbox"/> PTER-DIN Rear engine mounted PTO with DIN5462 (female) splined shaft for a close coupled pump. Models with 3 steering axles will use this to drive the steering pump (AUXPSP) <input type="checkbox"/> PTER1400 Rear engine mounted power-take-off with SAE 1410 flange <input type="checkbox"/> HPE-F101 Parker F1-101, engine mounted, fixed displacement, single flow, engine mounted hydraulic pump <input type="checkbox"/> HPE-F41 Parker F1-41, engine mounted, fixed displacement, single flow, engine mounted hydraulic pump <input type="checkbox"/> HPE-F51 Parker F1-51, engine mounted, fixed displacement, single flow, engine mounted hydraulic pump <input type="checkbox"/> HPE-F61 Parker F1-61, engine mounted, fixed displacement, single flow, engine mounted hydraulic pump <input type="checkbox"/> HPE-F81 Parker F1-81, engine mounted, fixed displacement, single flow, engine mounted hydraulic pump <input type="checkbox"/> HPE-T53 Parker F2-53/53, engine mounted, Fixed displacement, Twin flow engine mounted hydraulic pump <input type="checkbox"/> HPE-T70 Parker F2-70/35, engine mounted, Fixed displacement, Twin flow engine mounted hydraulic pump <input type="checkbox"/> HPE-V45 Parker VP1-45, variable displacement, single flow, engine mounted hydraulic pump <input type="checkbox"/> HPE-V75 Parker VP1-75, variable displacement, single flow, engine mounted hydraulic pump <input type="checkbox"/> PTR-D Gearbox PTO for plug-in pump, 0.71xeng speed <input type="checkbox"/> PTR-DH Gearbox driven high speed PTO for one plug-in hydraulic pump <input type="checkbox"/> PTR-DM Gearbox driven medium speed PTO for one plug-in hydraulic pump <input type="checkbox"/> PTR-F Gearbox driven PTO with rear flange connection <input type="checkbox"/> PTRD-D Gearbox driven HIGH SPEED PTO for two plug-in hydraulic pumps <input type="checkbox"/> PTRD-F PTO with 1 DIN + 1 flange connection rear, manual gearbox <input type="checkbox"/> HPG-F101 Parker F1-101 gearbox mounted, fixed displacement, single flow, hydraulic pump <input type="checkbox"/> HPG-F41 Parker F1-41 gearbox mounted, fixed displacement, single | <ul style="list-style-type: none"> <input type="checkbox"/> HPG-F51 flow, hydraulic pump <input type="checkbox"/> HPG-F61 Parker F1-61 gearbox mounted, fixed displacement, single flow, hydraulic pump <input type="checkbox"/> HPG-F81 Parker F1-81 gearbox mounted, fixed displacement, single flow, hydraulic pump <input type="checkbox"/> EIDLESD Engine idle shut down <input checked="" type="checkbox"/> DTRI-PER Dashboard in darker peregrine greyish brown. Steering wheel grey and door panels in light beige for FH and black for FH16. Dashboard and steering wheel cover in light beige skylark. Door panels in light beige for FH and black for FH16. <input type="checkbox"/> DTRI-SRA RIGHT HAND DRIVE <input type="checkbox"/> STWM-LE Leather steering wheel <input type="checkbox"/> STGW-AD2 Adjustable steering wheel with neck tilt <input checked="" type="checkbox"/> STGW-ADJ Adjustable steering wheel <input checked="" type="checkbox"/> AIRBAG SRS Driver's air bag <input checked="" type="checkbox"/> DRC-AMII DPF Regeneration control switch - for manual and switching off regeneration <input checked="" type="checkbox"/> 1DAYDIG2 Continental VDO DTCO 4.0 smart tachograph
This tachograph can ONLY offer remote download if the option of Dynafleet or an FMS gateway has been specified with this order. <input type="checkbox"/> 1DAYDIGP Continental VDO DTCO 3.0 digital tachograph
For vehicles with long lead time - this includes prep kit for the retrofit of DTCO 4.0 tachograph.
For updating to new legal demand for trick registration from 15th June 2019.
This tachograph can ONLY offer remote download if the option of Dynafleet or an FMS gateway has been specified with this order. <input type="checkbox"/> ARSL Additional road speed limit - switch in dashboard <input type="checkbox"/> CRUISE-E Eco cruise control (with eco-roll and I-cruise, controls in steering wheel) <input checked="" type="checkbox"/> CRUISEC Cruise control, standard <input type="checkbox"/> ESP-BAS1 Electronic Stability Control <input type="checkbox"/> ESPC-RO ESP (Electronic Stability Program) functionality control - Reduced / Off <input type="checkbox"/> HWSS-ACB Adaptive cruise control ACC with forward collision warning and AEBs advanced emergency brake system <input type="checkbox"/> HWSS-FCB Forward collision warning with AEBs advanced emergency brake system <input type="checkbox"/> LSS-DW Lane departure-warning system <input type="checkbox"/> LCS Lane change support <input type="checkbox"/> DAS-W Driver Alert Support system <input type="checkbox"/> RSENS-W Rain sensing windscreen wipers <input type="checkbox"/> CU-ECC Electrically controlled air conditioning with sun sensor <input type="checkbox"/> CU-ECC2 Electrically controlled air conditioning with sun sensor, mist sensor, air quality sensor and carbon filter <input checked="" type="checkbox"/> CU-MCC Climate unit with manual controlled air conditioning <input checked="" type="checkbox"/> IMMOBIL Thatcham H2 approved immobiliser <input type="checkbox"/> ALARM-B Thatcham H1 approved vehicle alarm - Cab only <input type="checkbox"/> ALARM-E Enhanced vehicle alarm - Thatcham H1 approved - Cab plus external sensor for body/trailer <input type="checkbox"/> ALCOLOCK Alcolock <input type="checkbox"/> AMPL400 Radio amplifier, 8 channel, 400 W with subwoofer
Located in right hand external storage box <input type="checkbox"/> BUPMON Back up monitor with built in 7" screen on dash and one colour camera supplied loose for fitment by bodybuilder.
Can accomodate up to 4 cameras for TfL Safe Scheme, |
|--|---|

■ Standard Equipment

□ Optional Equipment

For more detailed information about cab and powertrain equipment, please refer to separate specification sheets.

For all possible options and combinations of options please consult your Volvo sales contact who can create a specification to match your requirements using the Volvo Sales Support system (VSS).

The factory reserves the right to modify design and change equipment without previous notification. The specification can vary from country to country.

MODEL RANGE

FH 13 8x4 Rigid - High B Ride - N3 Cranked front axle for on road work FH 84F R3HB

	CLOCS and FORS.				
<input type="checkbox"/>	PHONE-PK	Telephone preparation kit (antenna, antenna attachm. cable incl.)	<input type="checkbox"/>	PST-BSL1	Passenger seat - Sliding non suspended fold up with seatbelt mounted in cab
<input checked="" type="checkbox"/>	WLIFT-AD	Electrical window lift, automatic up/down driver side	<input type="checkbox"/>	PST-CF4	Passenger seat - Comfort suspended with seatbelt mounted in seat
<input type="checkbox"/>	ISUNS-BS	Side interior sun visor on both sides	<input type="checkbox"/>	PST-CF5	Passenger seat - Comfort suspended & heated with seatbelt mounted in seat
<input type="checkbox"/>	ISUNS-DS	Driver's side interior sun visor	<input type="checkbox"/>	PST-RX1	Passenger seat - Fixed non suspended, features: 90 degree rotation and tilt function with seatbelt mounted in cab
<input type="checkbox"/>	ISUNF-RE	Electrically operated textile interior sun blind	<input type="checkbox"/>	PST-RX2	Passenger seat - Fixed non suspended, features: 90 degree rotation, tilt and heated functions with seatbelt mounted in cab
<input checked="" type="checkbox"/>	ISUNF-RM	Manually operated textile interior sun blind	<input type="checkbox"/>	PST-STD2	Passenger seat - Fixed non suspended with seatbelt mounted in cab
<input checked="" type="checkbox"/>	CSPL-BX	Lower center dash open storage box	<input checked="" type="checkbox"/>	PST-STD4	Passenger seat - Standard suspended with seatbelt mounted in cab
<input type="checkbox"/>	CSPL-BXD	Lower centre dash drawer	<input type="checkbox"/>	SBPRE-PS	Passenger seat belt pretensioner
<input type="checkbox"/>	CSPU-SDR	One open storage and one drawer - behind push open lid - in upper part of the centre dash panel	<input type="checkbox"/>	ARMRE-BB	Two armrests on both driver and passenger seat.
<input checked="" type="checkbox"/>	CSPU-SS	Two open storages - behind push open lid in upper part of the centre dash panel	<input type="checkbox"/>	ARMRE-DB	Two armrests, on driver seat only
<input type="checkbox"/>	ADFS	Two extra DIN slots in front shelf - can be fitted with card or drawer available as an accessory	<input type="checkbox"/>	ARMRE-PB	Two armrests, on passenger seat only
<input checked="" type="checkbox"/>	BUPALARM	Reverse alarm	<input type="checkbox"/>	ARU-BAS	Vinyl upholstered armrest
<input type="checkbox"/>	RTOLL-PK	Road toll PREPARATION kit for trucks operating with "Toll Collect" in Germany	<input type="checkbox"/>	ARU-LEA	Leather upholstered armrest
<input type="checkbox"/>	REMC-MF	Multi-functio wireless remote control	<input checked="" type="checkbox"/>	GRABHI-B	Steel instep cab grab handle
<input type="checkbox"/>	FIREXT3S	3kg fire extinguisher mounted on seat base	<input type="checkbox"/>	GRABHI-L	Leather covered instep cab grab handle
<input type="checkbox"/>	WARNVEST	High visibility warning vest - no sleeves	<input checked="" type="checkbox"/>	FMAT-RUB	Rubber floor mats
<input type="checkbox"/>	AIDKIT	First aid kit	<input type="checkbox"/>	FMAT-TX2	Textile and rubber floor mats
<input type="checkbox"/>	AIDKIT1B	First aid kit	<input checked="" type="checkbox"/>	LBK80F	Lower fixed bunk with wide middle section 815 in the centre x 2000 mm
<input type="checkbox"/>	WARNLAMP	Portable warning lamp	<input type="checkbox"/>	LBK80FRE	Lower electrically operated recline bunk with wide middle section 815 in the centre x 2000 mm
<input type="checkbox"/>	LAMP-IN	Inspection lamp	<input type="checkbox"/>	LBK80FRM	Lower manually operated recline bunk with wide middle section 815 in the centre x 2000 mm
<input type="checkbox"/>	BULBKIT	Bulb and fuse kit	<input type="checkbox"/>	MATL-FI	Firm lower bunk pocket sprung mattress
<input checked="" type="checkbox"/>	WRITEPAD	Writing pad	<input checked="" type="checkbox"/>	MATL-SF	Lower flexizone mattress - semi-firm, pocket springs up to 100kg - 16 stone
<input type="checkbox"/>	UPHTRI01	Interior trim: Seats: Black embossed textile insert, black vinyl bolster with red vinyl side insert Cab walls: In matching grey vinyl	<input type="checkbox"/>	MATL-SO	Lower flexizone mattress - soft, pocket springs up to 85kg - 13.5 stone
<input type="checkbox"/>	UPHTRI02	Interior trim: Seats: Black striped textile insert, black smooth textile bolster & red vinyl side insert Cab walls: Textile with matching grey nuances	<input type="checkbox"/>	OLMAT-BA	35mm mattress overlay protector
<input type="checkbox"/>	UPHTRI03	Interior trim: Seats: Grey/beige soft striped textile insert, grey/beige smooth textile bolster Cab walls: soft textile in matching grey and beige colours	<input type="checkbox"/>	OLMAT-PR	50mm premium mattress overlay protector
<input type="checkbox"/>	UPHTRI05	Interior trim: Seats: Light grey leather insert and black leather bolster Cab walls: In matching grey vinyl	<input type="checkbox"/>	TBK60AD	Height adjustable foldable top bunk 600 x 1900mm
<input type="checkbox"/>	UPHTRI06	Interior trim: Seats: Light grey leather insert and black leather bolster Cab walls: soft textiles in matching grey nuances	<input type="checkbox"/>	TBK60F	Fixed foldable top bunk 600 x 1900mm
<input type="checkbox"/>	UPHTRI07	Interior trim: Seat: Light grey leather insert black edging Cab walls: soft textiles in matching grey, and beige	<input type="checkbox"/>	TBK70AD	Height adjustable foldable top bunk 700 x 1900mm
<input checked="" type="checkbox"/>	DST-CF4	Driver seat, comfort, suspended, belt in seat	<input type="checkbox"/>	TBK70F	Fixed foldable top bunk 700 x 1900mm
<input type="checkbox"/>	DST-CF5	Driver seat, comfort, suspended, belt in seat, electrically heated	<input type="checkbox"/>	PH-CAB2	1.8kW Air to air night heater
<input type="checkbox"/>	DST-CF6	Driver seat, comfort, suspended, belt in seat, electrically heated, ventilated	<input type="checkbox"/>	PH-ENGCA	Engine and cab night heater
<input type="checkbox"/>	DST-LUX1	Deluxe suspended drivers seat features: electrical adjustment with memory function, seatbelt in seat with heated & ventilated cushions	<input checked="" type="checkbox"/>	SLCP-BAS	Basic sleeper control panel - includes interior light, parking heater, roof hatch and door lock
<input type="checkbox"/>	DST-LUX2	Deluxe suspended drivers seat features: electrical adjustment with memory function, seatbelt in seat and heated cushions	<input type="checkbox"/>	SLCP-LUX	Luxury sleeper control panel - includes interior light, parking heater, roof hatch, door lock, alarm clock, window and radio
<input type="checkbox"/>	SBD-RED	Red seat belts	<input type="checkbox"/>	SAFE	Safe box for driver's personal items
<input type="checkbox"/>	SBPRE-DS	Driver seat belt pretensioner	<input type="checkbox"/>	RUS-BAS	Rear cab upper storage 154 litres - 300 mm high
<input type="checkbox"/>	PST-BAS1	Passenger seat - Fixed non suspended fold up with seatbelt mounted in cab	<input type="checkbox"/>	RUS-HIG	Rear cab upper storage 245 litres - 440 mm high
<input checked="" type="checkbox"/>	Standard Equipment		<input type="checkbox"/>	TABLE	Folding and height adjustable table - on lower bunk
			<input type="checkbox"/>	REFR-RUS	Fridge: 28 litre rear upper wall mounted with dividers
			<input type="checkbox"/>	REFRIG	Fridge: 33 litre under bunk mounted with freezer dividers
			<input type="checkbox"/>	MICRO-PK	Preparation kit for microwave oven (wiring)
			<input type="checkbox"/>	BOTH-D	One bottle holder under dashboard centre section
			<input type="checkbox"/>	BOTH-DL	Two bottle holders, one under dashboard centre section and one mounted to the under bunk drawer
			<input type="checkbox"/>	BOTH-L	One bottle holder mounted to the under bunk drawer
			<input type="checkbox"/>	COFMA-PK	Coffee maker, preparation kit.
			<input checked="" type="checkbox"/>	INLI-BAS	Interior white LED lights - basic
			<input type="checkbox"/>	INLI-NL	Interior white and red night LED light with no dimmer
			<input type="checkbox"/>	INLI-NLD	Interior white and red night LED light with dimmer
			<input type="checkbox"/>	ARL-FLEX	Two flexible reading lamps (snake lamps)

For more detailed information about cab and powertrain equipment, please refer to separate specification sheets.

For all possible options and combinations of options please consult your Volvo sales contact who can create a specification to match your requirements using the Volvo Sales Support system (VSS).

The factory reserves the right to modify design and change equipment without previous notification. The specification can vary from country to country.

MODEL RANGE

FH 13 8x4 Rigid - High B Ride - N3 Cranked front axle for on road work FH 84F R3HB

- **RH-EE** Without roof hatch -Tinted glass emergency exit ONLY
 - **RH-ETR** Glass roof & escape hatch - Electrically operated, tinted glass with rear opening
 - **RH-MTR** Glass roof & escape hatch - Manually operated, tinted glass with rear opening
 - **URH** Without roof hatch
 - **SWIND-BS** Extra side window on both sides behind "B" pillar
 - **VANMIR** Vanity mirror in front shelf
 - **AS-FUS** Extra shelf in front upper storage compartments
 - **INFOT-PK** Preparation kit for the mounting of a flat screen TV in cab above the driver's door, includes bracket, electrical and speaker connections
- ### CAB EXTERIOR
- **EXTL-BAS** Basic exterior finish - - Matt Volvo badges, grey instep, bumper, bumper spoiler, mirror housing and sun visor
 - **EXTL-ENH** Enhanced exterior finish - Chrome style Volvo badges, painted instep, bumper, bumper spoiler if specified, mirror housing and sun visor
 - **GLAS-TIN** Tinted windows.
 - **DGLAS-H** Tempered door glass
 - **DGLAS-L** Laminated door glass
 - **LOCK-REM** Central locking with remote control
 - **BUMP-B** Plastic front bumper
 - **BUMP-B2** Steel front bumper
 - **BUMP-HD** Heavy duty front bumper
 - **BUMP-SP** Front bumper spoiler
 - **GUARD-EH** Engine guard to protect sump and engine hoses
 - **BUGNET** Insect screen in front of radiator
 - **CTILT-P-E** Electrically operated hydraulic cab tilt
 - **CTILT-P-M** Manually operated hydraulic cab tilt
 - **FCABS-A** Front cab suspension - Air
 - **FCABS-M** Front cab suspension - Mechanical spring
 - **RCABS-A** Rear cab suspension - Air
 - **RCABS-M** Rear cab suspension - Mechanical spring
 - **HCC-INEX** Exterior and interior hood catch control
 - **MIRCOMF** Electrically heated and operated main and wide angle mirrors and manually adjusted kerb view mirror on passenger side
 - **MIRSTD** Electrically heated main and wide angle mirrors and manually adjusted kerb view mirror on passenger side
 - **AMIR-F20** Auxiliary front view mirror with a 200mm radius
 - **SUNV-H** External smoke grey sunvisor
 - **AD-ROOF** Roof air deflector
 - **AD-SIDES** Short cab side air deflector for rigid bodywork
 - **HL-BASIC** Halogen H7 head lamps
 - **HL-CLEAN** Head lamp cleaner - washer jets
 - **HLP-ST** Headlamp protection
 - **DRIVL2** Two spot lamps
 - **UDRIVL** Without auxiliary driving lights
 - **FOGL-WC** Front fog lights
 - **CL-STAT** Static corner lights
 - **ASL-RF2** Two Hella H11 70W spotlamps in sign box - only available with the basic headlight and no lower driving lights.
 - **BEACOA2F** Two front roof mounted amber beacon rotating warning lamps
 - **BEACOA2R** Two rear roof mounted (on accessory bracket) amber beacon flashing warning LED lamps
 - **BEACON-P** Roof beacon wire preparation
 - **BEACONA4** Four roof mounted (2 front/2 rear) amber beacon rotating warning lamps
- **CABPT-R1** Single outlet for roof mounted accessories
 - **CABPT-R2** Twin outlets for roof mounted accessories.
 - **SPOTP-F** Spotlamp preparation in front, max 280W
 - **SPOTP-R** Spotlamp preparation on roof, max 280W
 - **SPOTP-RF** Spotlamp preparation on cab roof and in cab front, max 2x280W
 - **ROS-IL2** Preparation kit for illuminated roof sign with switch loose in cab, fit after registration
 - **CSGN-GTR** "Globetrotter" headboard logo
 - **HORN-F1S** Single tone Jericho air horn chassis mounted
 - **HORN-R2S** Two roof mounted air horns
 - **ANT-CBR** Roof mounted antenna for CB radio, single aerial
 - **ACCB-R-AP** Front, middle & rear roof mounted accessory brackets
 - **ACCB-R-F** Front roof mounted accessory bracket
 - **ACCB-R-FM** Front & middle roof mounted accessory brackets
 - **ACCB-R-FR** Front & rear roof mounted accessory brackets
 - **ACCB-R-M** Middle roof mounted accessory bracket
 - **ACCB-R-R** Rear roof mounted accessory bracket
 - **ACCB-R-RM** Rear & middle roof mounted accessory brackets
 - **STUC-B** Left and right storage compartments under cab
 - **STUC-L** Left storage compartment under cab
 - **STUC-R** Right storage compartment under cab
 - **REFS-TW** White cab conspicuity markings by packed in cab
 - **REFS-TY** Yellow cab conspicuity markings by packed in cab
- ### SUPERSTRUCTURE PREPARATIONS
- **SRWL-PK** Wiring preparation for side & rear work/reverse lamps on side of chassis and a three-position switch, maximum 280W
 - **SWL-2FW** Two H3 70W white front chassis mounted (LH/RH side) working lamps and a 2-position switch (On/Off)
 - **SWL-2RW** Two H3 70W white rear chassis mounted (LH/RH side) working lamps and a 2-position switch (On/Off)
 - **SWL-4W** 4 H3 70W white front (2) & rear (2) chassis mtd (LH/RH side) working lamps & 2-pos switch (On/Off)
 - **SWL-PK** Wiring preparation for side work/reverse lamps on side of chassis and a three-position switch, maximum 280W
 - **WLC-H2W** Two H3/70W white working lamps high mounted on the back of cab
 - **WLC-PKCH** Preparation kit (cables and switch) for cab mounted chassis working lamp
 - **WLC-PKH** Preparation kit, cables and switch for high mounted working lamps back of cab
 - **WLC-PKL** Preparation kit, cables and switch for low mounted working lamps back of cab
 - **WLC-PKLH** Preparation kit - cables and switch for low and high mounted working lamps back of cab.
 - **ECBB-BAS** Body builder electrical centre without body builder module
 - **ECBB-HIG** Body builder electrical centre with body builder module
 - **BBCHAS1** One 7-pole connector for Body builder interface
 - **BBCHAS3** Three 7-pole connectors for Body builder interface
 - **BEPR-T2** Body builder electrical software preparation for tipper with remote control
 - **EXSTER** External steering control, with VDS and bodybuilder module
 - **TD-LED** Trailer detection with LED sensing
 - **FRFS-BS** Frame rail free space on both sides to give space for crane legs or other equipment.
 - **FBA-BTF** Lower front body attachments for torsionally flexible - platform body
 - **FBA-BTSF** Lower front body attachments for torsionally semi-flexible body - box or curtainsider
 - **HBA-FSFB** Holes for body attachments - flexible/semi-flexible body
 - **HBA-SB** Holes for body attachments - stiff body
 - **RBA-T2** Lower rear body attachments for helper frame
- Standard Equipment □ Optional Equipment

For more detailed information about cab and powertrain equipment, please refer to separate specification sheets.

For all possible options and combinations of options please consult your Volvo sales contact who can create a specification to match your requirements using the Volvo Sales Support system (VSS).

The factory reserves the right to modify design and change equipment without previous notification. The specification can vary from country to country.

MODEL RANGE

FH 13 8x4 Rigid - High B Ride - N3 Cranked front axle for on road work FH 84F R3HB

- **CRANEPK1** Crane plates mounted to frame, for cranes up to 10 tonne metre capacity
- **CRANEPK2** Crane plates mounted to frame, for cranes up to 20 tonne metre capacity
- **CRANEPK4** Crane plates mounted to frame, for cranes up to 40 tonne metre capacity
- **AUXL-SPK** Electrical preparation kit - wiring and switch for snow plough lights
- **TAILPRE2** Tail lift preparation kit, wireless remote operation
- **TAILPREP** Taillift preparation kit - cab switch and warning in driver display
- **AESW2** Two Body builder bistable electrical switches (marked AUX1 / AUX2)
- **AESW2PK** 2 Body builder bistable el.switches (marked AUX1/AUX2) and prep. for 4 more switches
- **AUXSW-4** Wiring for 4 extra switches (from Body builder electrical centre to switch positions)

DELIVERY SERVICES

- **TGW-4GWL** GSM/GPRS/4G modem, LTE & WLAN for telematics gateway
- **FMS-PK** Fleet Management System gateway

VOLVO

Volvo Truck Corporation
volvotrucks.com