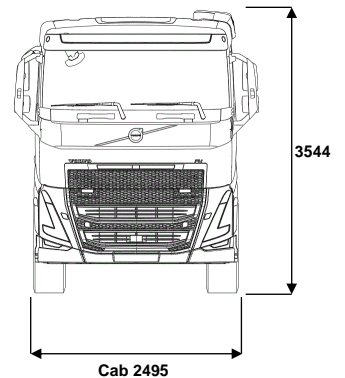
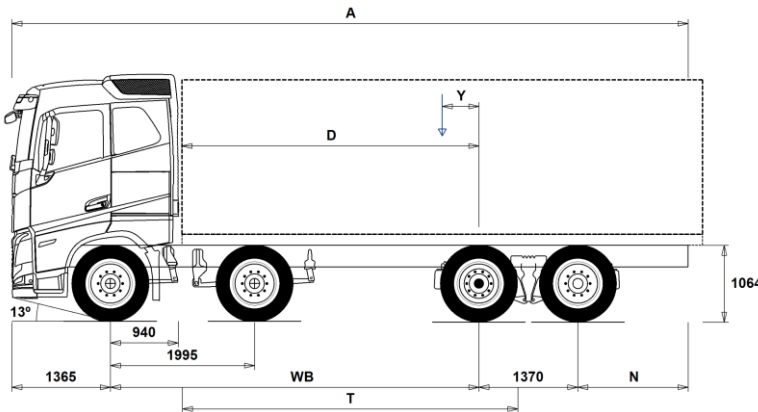


MODEL RANGE



Volvo Trucks. Driving Progress

NEW FH 13 8x2 Tag Rigid - Rear Air Suspension FH 82RF 3A



Chassis Dimensions [mm]

WB Wheelbase	5100	5600	6000
A Overall Chassis Length	10610	11110	11510
D Center of rear axle to front of body	4110	4610	5010
N Rear Overhang (Min.)	1225	1225	1225
N Rear Overhang (Max.)	2775	2775	2775
T Theoretical Wheelbase	4643	5143	5543
Y Center of Gravity for Payload (Min.)	711	859	978
Y Center of Gravity for Payload (Max.)	1321	1537	1710

Chassis Weights [kg]

Front Axles	6860	6805	6780
Rear Bogie	2330	2420	2495
Kerb Weight	9190	9225	9275
Payload (including body, driver, fuel, etc.)	22810	22775	22725

Turning Diameter [mm]

Turning Circle Diameter Kerb to Kerb	20200	21800	23100
Turning Circle Diameter Wall to Wall	21500	23100	24400

Plated Weights [kg]

	Plated	Design
Gross Vehicle Weight	32000	35000
Gross Combination Weight	44000	44000
Front Axles	16000	16000
Rear Bogie	19000	19000

Important Notes

Chassis Dimensions

Cab Height: +305 mm for CAB-HSLP, -283 mm for CAB-LSLP, +450 mm for CAB-XHSL.

D-measure includes a front clearance of 50 mm and for rigid trucks also a subframe of 100 mm.

Height can vary ± 20 mm for leaf and ± 10 mm for air suspension.

All dimensions are for unladen chassis and any tag axles down. Chassis height used: CHH-HIGH.

Rear overhang used for vehicle weight calculation is the maximum rear overhang (N Max.) for selected wheelbase.

Height change when chassis height CHH-MED,FRAME300: 0 mm.

Weight and dimensions are based upon the following tyres:

Front Axle Tyres:	315/80R22.5
Drive Axle Tyres:	315/80R22.5
Trailing/Pusher Axle Tyres:	315/80R22.5

Chassis weight includes oil, water, AdBlue, 0 litres fuel and without driver. Kerb weight can vary $\pm 3\%$.

Turning diameters are theoretically calculated. Tag axle used: TA-FIXED.

Legal weights can differ from country to country.

For more detailed weight information, including optional equipment weights, ask your Volvo sales contact to enter your specification into the Volvo Weight Information system (WIS).

Do NOT use this drawing for bodybuilding. Refer to Volvo Bodybuilder Instructions and chassis assembly drawing FH82RF3A.

MODEL RANGE

NEW FH 13 8x2 Tag Rigid - Rear Air Suspension FH 82RF 3A

TRUCK USE

- RC-ROUGH** Road conditions - On / off-road
- RC-SMOOT** Road Conditions - Smooth
- TIPP-PRE** Transport Adaption - Tipper vehicle preparation
- UNIFORM** Transport Adaption - Basic platform vehicle

CORE COMPONENTS

- CHH-HIGH** Chassis Height - High - for loading heights check the unique BEP chassis drawing
- CHH-MED** Chassis Height - Medium - for loading heights check the unique BEP chassis drawing
- TA-HYSBS** Tag axle - Electro-hydraulically steered
- TAG-FIXD** Tag axle - Fixed with twin tyres on tag axle
- TAG-FIXS** Tag axle - Fixed with single tyres on tag axle
- RADT-GR** Rear air suspension, 2 axles - 1 driven/1 tag
- FH-HSLP5** Globetrotter cab - all steel safety cage design with roof mounted emergency escape hatch. Designed and built to Swedish impact and ECE R29 regulations
- FH-LSLP5** Cab - Low Sleeper - all-steel safety cage design. Built to Swedish impact and ECE R29 regulations
- FH-SLP5** Cab - Sleeper - all-steel safety cage design with roof-mounted emergency escape hatch. Designed and built to Swedish impact and ECE R29 regulations
- FH-XHSL5** Globetrotter XL cab - all steel safety cage design with roof mounted emergency escape hatch. Designed and built to Swedish impact and ECE R29 regulations
- EU6HT** Emission level - Euro VI step D
- EU6SCR** Emission level - Euro VI step D
- D13 420S** Engine - D13K420 12.8 litre developing 420hp at 14-1800rpm. Peak torque 2100Nm at 860-1400rpm.
- D13 460S** Engine - D13K460 12.8 litre developing 460hp at 14-1800rpm. Peak torque 2300Nm at 900-1400rpm.
- D13 500S** Engine - D13K500 12.8 litre developing 500hp at 14-1800rpm. Peak torque 2500Nm at 1000-1400rpm.
- D13 540S** Engine - D13K540 12.8 litre developing 540hp at 14-1800rpm. Peak torque 2600Nm at 1000-1450rpm.
- D13K420** D13K420 - 420hp engine
- D13K460** D13K460 - 460hp engine
- D13K500** D13K500 - 500hp engine
- D13K540** D13K540 - 540hp engine
- EBR-EPG** Engine Brake Type - Exhaust brake controlled by steering column switch
- EBR-EPGC** Engine Brake Type - Exhaust pressure governor for I shift gearbox
- EBR-VEB+** Engine Brake Type - Volvo engine brake + and exhaust pressure governor, enhanced performance from additional exhaust rocker control. Retardation 375kW
- AT2612F** Gearbox - AT2612F 12-speed "I-shift" automated mechanical suitable for gross train weights up to 60tonne only. Refer to sales engineering when used in conjunction with a PTO
- ATO2612F** Gearbox - ATO2612F 12-speed "I-shift" overdrive automated mechanical, suitable for gross train weights up to 60tonne. Refer to sales engineering when used in conjunction with a PTO
- SPO2812** Gearbox - SPO2812 - 12-speed I-shift Dual Clutch automated mechanical GCW 60tonne
- ASO-C** Crawler gear - Ratio direct top gearbox 19:1 Ratio Overdrive gearbox 17:1
- ASO-ULC** Ultra low crawler and crawler gear - Ratios direct top gearbox 32:1 and 19:1 Ratios Overdrive box 32:1 and 17:1
- RSH1370F** Drive Axle - RSH1370F 13-tonne hub reduction with differential lock - design GCW 70 tonne

- RSS1356** Drive Axle - RSS1356 13-tonne single reduction with differential lock - design GCW 56 tonne
- RSS1370A** Drive Axle - RSS1370A single reduction 13 tonne with differential lock - design GCW 70 tonne
- RSS1370B** Drive Axle - RSS1370B single reduction 13 tonne with differential lock - design GCW 70 tonne

PACKAGES

- FUELPACK** Fuel Package - Long haul
- DRIVE5** Drive Package
- DRIVE5+** Drive + Package
- DRIVE5++** Drive ++ Package
- 1LIVING** Sleep & Resting Package - Living one-bed
- 1LIVING+** Sleep & Resting Package - Living one-bed +
- 2LIVING** Sleep & Resting Package - Living two-bed
- 2LIVING+** Sleep & Resting Package - Living two-bed +
- INFOBAS** Basic media package without secondary display
- INFODF** Media Information Platform with Dynafleet Support
- INFOMED** Media Information Platform - Medium level
- INFONAV** Media Information Platform with Navigation
- INFONDF** Media Information Platform with Navigation & Dynafleet Support
- VISI5** Visibility Package
- VISI5+** Visibility plus Package
- VISI5++** Visibility ++ Package
- VISIC5** Visibility Package
- VISIC5+** Visibility plus Package
- CHASPAC** Chassis Package Rigid

CHASSIS

- FST-AIR** Front suspension type - Air
- FST-PAR** Front suspension type - 2 leaf parabolic springs
- FST-PAR3** Front suspension type - 3 leaf parabolic springs
- FSLB-BAS** Front suspension levelling - basic stroke
- FAL16.0** Front axle design capacity - 16 tonnes - 2 x 8 tonne front axles
- FAL18.0** Front axle design capacity - 18 tonnes - 2 x 9 tonne front axles - check tyre load index
- FAL20.0** Front axle design capacity - 20 tonnes - 2 x 10 tonne front axles - check tyre load index
- FSM-LUB** Front suspension maintenance - Lubricated rear shackles on pins and bushings
- FSTAB** Front anti-roll bar - Normal stiffness
- FSTAB2** Front anti-roll bar - Medium stiffness
- FSTAB3** Front anti-roll bar - High stiffness
- RAL19** Rear bogie design capacity - 19 tonne
- RAL20.5** Rear bogie design capacity - 20.5 tonne
- RAL22.5** Rear bogie design capacity - 22.5 tonne
- RAL23** Rear bogie design capacity - 23 tonne
- RSTAB2** Rear anti-roll bar - Medium stiffness
- RSTAB3** Rear anti-roll bar - Stiff
- RALIM115** Rear-axle load limiter -11.5 tonne - speed controlled
- ACTST-TO** Active Steering- Volvo Dynamic Steering - VDS - with extra electronic pump and torque overlay
- ASFE-BAS** Active steering feature - Basic - Volvo Dynamic Steering - VDS - only
- ASFE-OG** Active steering feature - Volvo Dynamic Steering - VDS - with stability assist - oversteer
- ASFE-PO** Active steering feature - Volvo Dynamic Steering - VDS - with personal settings and stability assist
- ASFE-PS** Active steering feature - Volvo Dynamic Steering - VDS - with personal settings
- PSS-DUAL** Power steering system - Dual
- AUXPSP** Extra power steering pump driven by the engine PTO (PTER-DIN) so an adapter is required to drive any other equipment.
- PSP-VAR** Power steering pump - Variable displacement

- Standard Equipment
- Optional Equipment

For more detailed information about cab and powertrain equipment, please refer to separate specification sheets.

For all possible options and combinations of options please consult your Volvo sales contact who can create a specification to match your requirements using the Volvo Sales Support system (VSS).

The factory reserves the right to modify design and change equipment without previous notification. The specification can vary from country to country.

MODEL RANGE

NEW FH 13 8x2 Tag Rigid - Rear Air Suspension FH 82RF 3A

- **EBS-MED** Brake package - EBS medium including "hill" hold function
- **FRAME300** Chassis frame section external height - 300 mm
- **FST8080** Chassis frame thickness - 8 mm web and flange
- **FIL-EEEE** Chassis frame inner liner - From the end of the engine to the end of the bogie
- **FIL-EEEF** Chassis frame inner liner - From the end of the engine to end of the frame
- **FIL-TXEB** Chassis frame inner liner - From gearbox member to the end of the bogie
- **FIL-TXEF** Chassis frame inner liner - From gearbox member to the end of the frame
- **BBOX-L** Battery box position - Left hand side
- **2BAT210B** Battery Capacity - 2 x 210 Ah - Gel type
- **2BAT210C** Battery Capacity - 2 x 210 Ah - AGM Absorbent Glass-fibre Material type
- **BATTAMP** Battery management - Voltage and current gauge
- **BATTIND** Battery management - Charge indicator
- **ADR2** ADR Adaptation - For transportation of dangerous goods on the road - Note does NOT include safe loading pass package if required this is quoted separately
- **MSWI-A** Battery master switch - ADR switch circuit shut down
- **MSWI-C** Battery master switch - Chassis mounted toggle by the battery box
- **MSWI-R** Battery master switch - Key fob operated remote controlled
- **UR-FUEL** Without right-hand fuel tank
Min volume 255l
Max volume 810l
- **UL-FUEL** Without left fuel tank
Min volume 160l
Max volume 450l
- **ADTP-L** AdBlue tank position - Chassis mounted on the left-hand side
- **ADTP-R** AdBlue tank position - Chassis mounted on the right-hand side
- **ADB032** Plastic AdBlue tank - 32 litres
- **ADB048** Plastic AdBlue tank - 48 litre
- **ADB064** Plastic AdBlue tank - 64 litre
- **ADTC-BF** AdBlue tank cover with satin alloy look decorative cover
- **FCAP-L** Diesel and AdBlue filler cap - Locking
- **FUFF-AS** Fuel filler - Anti-spill device
- **FUFF-ATS** Fuel filler - Anti-spill & anti-syphon device
- **ESH-LEFT** Exhaust - Horizontal silencer - left outlet
- **ESH-REAR** Exhaust - Horizontal silencer - rear outlet
- **ESH-VERT** Exhaust - Horizontal silencer - vertical outlet
- **EXST-SSP** Stainless steel exhaust stack - NOT polished
- **EXST-ST** Steel exhaust stack
- **WHC-FIX2** Wheel chocks - Two fixed design
- **WHC-FOL2** Two foldable wheel chocks
- **WHCP-F** Wheel chock carrier position - In the front part of the vehicle
- **WHCP-R** Wheel chock carrier position - In the rear part of the vehicle
- **WHCP-T** Wheel chock carrier position - Outer luggage locker
- **TB-L80** Toolbox 800 mm, left side
- **TB-R80** Toolbox 800 mm, right side
- **SUP-BAS** EC approved chassis side guards
- **CHAIN-S** Snow chains
- **HOOK-SC** Snow chain hooks
- **TOWF-NO1** Front towing device - One detachable - stored in cab
- **TOWF-NO2** Front towing device - Two detachable - stored in cab
- **TOWMBRH** Towing member, high mounted in centre of frame, D = 190
- **TOWMBRL1** Towing member, low mounted under the frame
- **TOWMBRM** Towing member, medium mounted in line with frame lower flange
- **RFEC-S** Rear frame profile - Straight cut
- **RFEC-U** Rear frame profile - Slight uppercut for tipper
- **C-RI4040** Towing coupling, Ringfeder 4040 G-150
- **C-RI5055** Towing coupling, Ringfeder 5055 G-150
- **C-RO400G** Towing coupling, Rockinger 400 G-150 for 40mm eyes
- **C-RO50** Rockinger RO 50 50mm for centre axle trailer
- **TOWR-ONE** Towing hitch attached to rear crossmember
- **TREL-PK** Trailer electrical preparation kit - chassis/cab wiring
- **TREL14** Single 14 pole electrical trailer connector
- **TREL15** Trailer electrical connection - Single 15 pin - ADR certified
- **TREL7** 7 pole - 24N trailer electrical suzie
- **TREL7-7** Trailer electrical connection - 2 x 7 pin - 24N and 24S
- **TBC-DUO** Duomatic type air line connectors
- **TBC-EC** Trailer brakes with EC palm coupling connectors
- **TRBR-HCF** Full pressure hand controlled trailer brake
- **TRBR-STA** Stationary trailer brake control
- **TRB-STRE** Stretch Brake - Automatic low speed trailer brake activation to avoid jack-knifing and improve steerability
- **RUP-FOSL** Rear underrun protection - Aluminium folding & sliding EC approved
- **FFEND-B** Standard mounted mud wings on second front axle
- **FFEND-T** Transport mounted mud wings on second front axle
- **RFEND-B** Three piece EC approved rear mud wings and spray flaps
- **RFEND-T** Rear mud wings - Temporary on drive axle for transport delivery only
- **RFH-BAS** Basic rear wing height
- **RFH-HIG** High rear wing height - higher wing tops
- **RFH-LOW** Lower rear wing height - shallower wing tops
- **ATANK-AL** Air tanks - Aluminium
- **ATANK-ST** Air tanks - Steel
- **TL-LED** Rear lights - LED
- **BLIGHT-E** Emergency brake light

WHEELS & TYRES

- **RT-AL** Wheels - Alcoa brushed aluminium rims - standard holes for long stud fixing
- **RT-ALDP** Wheels - Alcoa Dura-Bright aluminium rims - standard holes for long stud fixing
- **RT-ALDPD** Wheels - Alcoa Dura-Bright EVO aluminium rims - countersunk holes for short stud fixing
- **RT-ALDU** Wheels - Alcoa brushed aluminium rims - countersunk holes for short stud fixing
- **RT-STEEL** Wheels - Steel rims
- **WCAP** Aerodynamic hub caps
- **SPWT-D** Spare wheel & tyre with rear tyre pattern
- **SPWT-F** Spare wheel & tyre with front tyre pattern
- **SWCP-LF** Spare wheel carrier on left side of chassis ahead of rear axle
- **SWCP-T** Spare wheel supplied temporarily strapped to chassis
- **SWCP-TP** Temporary spare wheel carrier on top of chassis frame
- **JACK-12T** 12 tonne bottle jack
- **JACK-15T** 15 tonne bottle jack
- **JACK-20T** 20 tonne bottle jack
- **TOOL-BAS** Basic Toolkit
- **TOOLKIT** Complete tool kit
- **INFLAHOS** Tyre inflation hose
- **GAUGE-TP** Tyre pressure gauge

DRIVELINE EQUIPMENT

- **TRAP-HD** Reinforced gearbox application
- **DRM-BE** Balanced & Economy Drive Mode
- **DRM-E** Economy Drive Mode

■ Standard Equipment □ Optional Equipment

For more detailed information about cab and powertrain equipment, please refer to separate specification sheets.

For all possible options and combinations of options please consult your Volvo sales contact who can create a specification to match your requirements using the Volvo Sales Support system (VSS).

The factory reserves the right to modify design and change equipment without previous notification. The specification can vary from country to country.

MODEL RANGE

NEW FH 13 8x2 Tag Rigid - Rear Air Suspension FH 82RF 3A

- | | |
|----------------------------------------------------------------------------------------------------------------------------------------------------------------------------------------------------------------------------------------------------------------------------------------------------------------------------------------------------------------------------------------------------------------------------------------------------------------------------------------------------------------------------------------------------------------------------------------------------------------------------------------------------------------------------------------------------------------------------------------------------------------------------------------------------------------------------------------------------------------------------------------------------------------------------------------------------------------------------------------------------------------------------------------------------------------------------------------------------------------------------------------------------------------------------------------------------------------------------------------------------------------------------------------------------------------------------------------------------------------------------------------------------------------------------------------------------------------------------------------------------------------------------------------------------------------------------------------------------------------------------------------------------------------------------------------------------------------------------------------------------------------------------------------------------------------------------------------------------------------------------------------------------------------------------------------------------------------------------------------------------------------------------------------------------------------------------------------------------------------------------------------------------------------------------------------------------------------------------------------------------------------------------------------------------------------------------------------------------------------------------------------------------------------------------------------------------------------------------------------------------------------------------------------------------------------------------------------------------------------------------------------------------------------------------------------------------------------------------------------------------------------------------------------------------------------------------------------------------------------------------------------------------------------------------------------------------------------------------------------------------------------------------------------------------------------------------------------------------------------------------------------------------------------------------------------------------------------------------------------------------------------------------------------------------------------------------------------------------------------------------------------------------------------------------------------------------------------------------------------------------------------------------------------------------------------------------------------------------------------------------------------------------------------------------------------------------------------------------------------------------------------------------------------------------------------------------------------------------------------------------------------------------------------------------------------------------------------------------------------------------------------------------------------------------------------------------------------------------------------------------------------------------------------------------------------------------------------------------------------------------------------------------------------------------------------------------------------------------------------------------------------------------------------------------------------------------------------------------------------------------------------------------------------------------------------------------------------------------------------------------------------------------------------------------------------------------------------------------------------------------------------------------------------------------------------------------------------------------------------------------------------------------------------------------|-----------------------------------------------------------------------------------------------------------------------------------------------------------------------------------------------------------------------------------------------------------------------------------------------------------------------------------------------------------------------------------------------------------------------------------------------------------------------------------------------------------------------------------------------------------------------------------------------------------------------------------------------------------------------------------------------------------------------------------------------------------------------------------------------------------------------------------------------------------------------------------------------------------------------------------------------------------------------------------------------------------------------------------------------------------------------------------------------------------------------------------------------------------------------------------------------------------------------------------------------------------------------------------------------------------------------------------------------------------------------------------------------------------------------------------------------------------------------------------------------------------------------------------------------------------------------------------------------------------------------------------------------------------------------------------------------------------------------------------------------------------------------------------------------------------------------------------------------------------------------------------------------------------------------------------------------------------------------------------------------------------------------------------------------------------------------------------------------------------------------------------------------------------------------------------------------------------------------------------------------------------------------------------------------------------------------------------------------------------------------------------------------------------------------------------------------------------------------------------------------------------------------------------------------------------------------------------------------------------------------------------------------------------------------------------------------------------------------------------------------------------------------------------------------------------------------------------------------------------------------------------------------------------------------------------------------------------------------------------------------------------------------------------------------------------------------------------------------------------------------------------------------------------------------------------------------------------------------------------------------------------------------------------------------------------------------------------------------------------------------------------------------------------------------------------------------------------------------------------------------------------------------------------------------------------------------------------------------------------------------------------------------------------------------------------------------------------------------------------------------------------------------------------------------------------------------------------------------------------------------------------------------------------------------------------------------------------------------------------------------------------------------------------------------------------------------------------------------------------------------------------------------------------------------------------------------------------------------------------------------------------------------------------------|
| <ul style="list-style-type: none"> <input type="checkbox"/> PVT-MAP I-See Predictive Cruise Control - using map based topography information <input type="checkbox"/> CRUIS-E Eco cruise control (with eco-roll and I-cruise, controls in steering wheel) <input type="checkbox"/> CRUIS-E4 Eco fleet software - with cruise speed 85, I-See and push button I-shift. ■ CRUISEC Cruise control, standard <input type="checkbox"/> AMSO-AUT Enhanced I-shift software with manual shift available in auto mode and kickdown facility on accelerator pedal <input type="checkbox"/> AVO-ENH I-Shift application software - Off-road <input type="checkbox"/> APF-ENH I-shift enhanced PTO functions <input type="checkbox"/> TC-MAOH2 Extra high performance transmission oil cooler - air to oil with front mounted radiator <input type="checkbox"/> TC-MWO Basic transmission oil cooler - water to oil <input type="checkbox"/> 2COM1100 Air compressor - Two-cylinder 1100 litres per minute ■ 2COMP900 Air compressor - Two-cylinder 900 litres per minute <input type="checkbox"/> CLU-AIRC Clutchable air compressor <input type="checkbox"/> AIRIN-FR Front air intake fitted to the underside of cab engine tunnel ■ AIRIN-HI Air intake - Roof-mounted behind cab on the left-hand side <input type="checkbox"/> AIRIN-LO Low level air intake behind cab on left hand side <input type="checkbox"/> ACL1ST-S Air filter - two-stage element ■ 24AL110B Alternator capacity - 110 amp <input type="checkbox"/> 24AL120B Alternator capacity - 120 amp alternator <input type="checkbox"/> 24AL150B Alternator capacity - 150 amp <input type="checkbox"/> CCV-C Closed crankcase engine ventilation ■ CCV-OX Closed crankcase ventilation for cold markets ■ PRIM-EL Electrical priming pump <input type="checkbox"/> PRIM-MAN Manual priming pump <input type="checkbox"/> FUEQ-EH Fuel line electric heater <input type="checkbox"/> AF-R Hot fuel recirculation heated fuel filter ■ FUEFE2LW Large engine mounted dual fuel filter with water separator <input type="checkbox"/> EST-AID Engine starting aid -Preheating element in the air inlet manifold <input type="checkbox"/> 220EBH15 220V/1.5Kw electric engine block heater <input type="checkbox"/> PTER-100 Engine power-take-off - Rear-mounted with DIN100/ISO7646 flange <input type="checkbox"/> PTER-DIN Engine power-take-off - Rear-mounted with DIN5462 (female) splined shaft for a close-coupled pump
Models with 3 steering axles will use this to drive the steering pump (AUXPSP) <input type="checkbox"/> PTER1400 Engine power-take-off - Rear-mounted with SAE 1410 flange <input type="checkbox"/> HPE-F101 Parker F1-101, engine mounted, fixed displacement, single flow, engine mounted hydraulic pump <input type="checkbox"/> HPE-F41 Parker F1-41, engine mounted, fixed displacement, single flow, engine mounted hydraulic pump <input type="checkbox"/> HPE-F51 Parker F1-51, engine mounted, fixed displacement, single flow, engine mounted hydraulic pump <input type="checkbox"/> HPE-F61 Parker F1-61, engine mounted, fixed displacement, single flow, engine mounted hydraulic pump <input type="checkbox"/> HPE-F81 Parker F1-81, engine mounted, fixed displacement, single flow, engine mounted hydraulic pump <input type="checkbox"/> HPE-T53 Parker F2-53/53, engine mounted, Fixed displacement, Twin flow engine mounted hydraulic pump <input type="checkbox"/> HPE-T70 Parker F2-70/35, engine mounted, Fixed displacement, Twin flow engine mounted hydraulic pump <input type="checkbox"/> HPE-V45 Parker VP1-45, variable displacement, single flow, engine mounted hydraulic pump <input type="checkbox"/> HPE-V75 Parker VP1-75, variable displacement, single flow, engine mounted hydraulic pump <input type="checkbox"/> PTR-D Gearbox PTO for plug-in pump, 0.71xeng speed <input type="checkbox"/> PTR-DH Gearbox driven high speed PTO for one plug-in hydraulic pump <input type="checkbox"/> PTR-DM Gearbox driven medium speed PTO for one plug-in hydraulic pump <input type="checkbox"/> PTR-F Gearbox driven PTO with rear flange connection | <ul style="list-style-type: none"> <input type="checkbox"/> PTRD-D Gearbox driven HIGH SPEED PTO for two plug-in hydraulic pumps <input type="checkbox"/> PTRD-F PTO with 1 DIN + 1 flange connection rear, manual gearbox <input type="checkbox"/> HPG-F101 Parker F1-101 gearbox mounted, fixed displacement, single flow, hydraulic pump <input type="checkbox"/> HPG-F41 Parker F1-41 gearbox mounted, fixed displacement, single flow, hydraulic pump <input type="checkbox"/> HPG-F51 Parker F1-51 gearbox mounted, fixed displacement, single flow, hydraulic pump <input type="checkbox"/> HPG-F61 Parker F1-61 gearbox mounted, fixed displacement, single flow, hydraulic pump <input type="checkbox"/> HPG-F81 Parker F1-81 gearbox mounted, fixed displacement, single flow, hydraulic pump ■ STWPOS-R Steering wheel position - RIGHT-HAND DRIVE <input type="checkbox"/> STWM-LE Leather steering wheel <input type="checkbox"/> STGW-AD2 Adjustable steering wheel with neck tilt ■ STGW-ADJ Adjustable steering wheel ■ AIRBAG SRS Driver's air bag ■ DRC-AMII DPF Regeneration control switch - for manual and switching off regeneration ■ 1DAYDIG2 Tachograph - Continental VDO 4.0 <input type="checkbox"/> ARSL Additional road speed limit - switch in dashboard <input type="checkbox"/> ESP-BAS1 Electronic Stability Control <input type="checkbox"/> ESPC-RO ESP (Electronic Stability Program) functionality control - Reduced / Off <input type="checkbox"/> HWSS-AC Adaptive cruise control with forward collision warning <input type="checkbox"/> HWSS-ACB Adaptive cruise control ACC with forward collision warning and AEBS advanced emergency brake system <input type="checkbox"/> HWSS-FCB Forward collision warning with AEBS advanced emergency brake system <input type="checkbox"/> LSS-DW Lane departure-warning system <input type="checkbox"/> LCS Lane change support <input type="checkbox"/> DAS-W Driver Alert Support system <input type="checkbox"/> RSENS-W Rain sensing windscreen wipers <input type="checkbox"/> CU-ECC Cab Climate Unit - Electrically controlled air conditioning with sun sensor <input type="checkbox"/> CU-ECC2 Cab Climate Unit - Electrically controlled air conditioning with a carbon filter, sun, mist, and air quality sensor ■ CU-MCC Cab Climate Unit - Manual air conditioning ■ IMMOBIL Thatcham H2 approved immobiliser <input type="checkbox"/> ALARM-E Enhanced vehicle alarm - Thatcham H1 approved - Cab plus external sensor for body/trailer <input type="checkbox"/> ALCOLOCK Alcolock <input type="checkbox"/> AMPL400 Radio amplifier, 8 channel, 400 W with subwoofer
Located in right hand external storage box <input type="checkbox"/> BUPMON CLASSIC Video switch & one reverse camera & lead - NEW Digital reverse camera, parameter & lead supplied loose in cab. <input type="checkbox"/> PHONE-PK Telephone preparation kit (antenna, antenna attachm. cable incl.) <input type="checkbox"/> ISUNS-BS Side sun visor - Driver & passenger side ■ ISUNS-DS Side sun visor - Driver-side <input type="checkbox"/> ISUNF-RE Electrically operated textile interior sun blind ■ ISUNF-RM Manually operated textile interior sun blind ■ CSPL-BX Lower center dash open storage box <input type="checkbox"/> CSPL-BXD Lower centre dash drawer <input type="checkbox"/> CSPU-SDR One open storage and one drawer - behind push open lid - in upper part of the centre dash panel ■ CSPU-SS Two open storages - behind push open lid in upper part of the centre dash panel |
|----------------------------------------------------------------------------------------------------------------------------------------------------------------------------------------------------------------------------------------------------------------------------------------------------------------------------------------------------------------------------------------------------------------------------------------------------------------------------------------------------------------------------------------------------------------------------------------------------------------------------------------------------------------------------------------------------------------------------------------------------------------------------------------------------------------------------------------------------------------------------------------------------------------------------------------------------------------------------------------------------------------------------------------------------------------------------------------------------------------------------------------------------------------------------------------------------------------------------------------------------------------------------------------------------------------------------------------------------------------------------------------------------------------------------------------------------------------------------------------------------------------------------------------------------------------------------------------------------------------------------------------------------------------------------------------------------------------------------------------------------------------------------------------------------------------------------------------------------------------------------------------------------------------------------------------------------------------------------------------------------------------------------------------------------------------------------------------------------------------------------------------------------------------------------------------------------------------------------------------------------------------------------------------------------------------------------------------------------------------------------------------------------------------------------------------------------------------------------------------------------------------------------------------------------------------------------------------------------------------------------------------------------------------------------------------------------------------------------------------------------------------------------------------------------------------------------------------------------------------------------------------------------------------------------------------------------------------------------------------------------------------------------------------------------------------------------------------------------------------------------------------------------------------------------------------------------------------------------------------------------------------------------------------------------------------------------------------------------------------------------------------------------------------------------------------------------------------------------------------------------------------------------------------------------------------------------------------------------------------------------------------------------------------------------------------------------------------------------------------------------------------------------------------------------------------------------------------------------------------------------------------------------------------------------------------------------------------------------------------------------------------------------------------------------------------------------------------------------------------------------------------------------------------------------------------------------------------------------------------------------------------------------------------------------------------------------------------------------------------------------------------------------------------------------------------------------------------------------------------------------------------------------------------------------------------------------------------------------------------------------------------------------------------------------------------------------------------------------------------------------------------------------------------------------------------------------------------------------------------------------------------------------------------------------|-----------------------------------------------------------------------------------------------------------------------------------------------------------------------------------------------------------------------------------------------------------------------------------------------------------------------------------------------------------------------------------------------------------------------------------------------------------------------------------------------------------------------------------------------------------------------------------------------------------------------------------------------------------------------------------------------------------------------------------------------------------------------------------------------------------------------------------------------------------------------------------------------------------------------------------------------------------------------------------------------------------------------------------------------------------------------------------------------------------------------------------------------------------------------------------------------------------------------------------------------------------------------------------------------------------------------------------------------------------------------------------------------------------------------------------------------------------------------------------------------------------------------------------------------------------------------------------------------------------------------------------------------------------------------------------------------------------------------------------------------------------------------------------------------------------------------------------------------------------------------------------------------------------------------------------------------------------------------------------------------------------------------------------------------------------------------------------------------------------------------------------------------------------------------------------------------------------------------------------------------------------------------------------------------------------------------------------------------------------------------------------------------------------------------------------------------------------------------------------------------------------------------------------------------------------------------------------------------------------------------------------------------------------------------------------------------------------------------------------------------------------------------------------------------------------------------------------------------------------------------------------------------------------------------------------------------------------------------------------------------------------------------------------------------------------------------------------------------------------------------------------------------------------------------------------------------------------------------------------------------------------------------------------------------------------------------------------------------------------------------------------------------------------------------------------------------------------------------------------------------------------------------------------------------------------------------------------------------------------------------------------------------------------------------------------------------------------------------------------------------------------------------------------------------------------------------------------------------------------------------------------------------------------------------------------------------------------------------------------------------------------------------------------------------------------------------------------------------------------------------------------------------------------------------------------------------------------------------------------------------------------------------------------------|

■ Standard Equipment

Optional Equipment

For more detailed information about cab and powertrain equipment, please refer to separate specification sheets.

For all possible options and combinations of options please consult your Volvo sales contact who can create a specification to match your requirements using the Volvo Sales Support system (VSS).

The factory reserves the right to modify design and change equipment without previous notification. The specification can vary from country to country.

MODEL RANGE

NEW FH 13 8x2 Tag Rigid - Rear Air Suspension FH 82RF 3A

- ADFS** Two extra DIN slots in front shelf - can be fitted with card or drawer available as an accessory
- BUPALARM** Reverse alarm
- RTOLL-PK** Road toll PREPARATION kit for trucks operating with "Toll Collect" in Germany
- LOADIND** Load indicator with central dashboard display
- REMC-MF** Multi-functio wireless remote control
- FIREXT3S** Fire extinguisher - 3kg mounted on the seat base
- WARNVEST** High visibility warning vest - no sleeves
- AIDKIT** First aid kit - Legal demand for EU markets including delivery to EU bodybuilder
- AIDKIT1B** First aid kit - Legal demand for trucks transiting Germany
- WARNLAMP** Portable warning lamp
- LAMP-IN** Inspection lamp
- BULBKIT** Bulb and fuse kit
- WRITEPAD** Writing pad
- DST-CF4** Driver seat - Suspended, adjustable shock absorber, travel, backrest & lumbar controls - seatbelt mounted to the seat
- DST-CF5** Driver seat - Suspended with adjustable shock absorber, travel, backrest, lumbar & heat controls - seatbelt mounted to the seat
- DST-CF6** Driver seat - Suspended with adjustable shock absorber, travel, backrest, lumbar, heat and ventilation controls - seatbelt mounted to the seat
- DST-LUX1** Driver seat - Deluxe 1: electrical adjustment with memory function, lumbar support, heating & ventilation - seatbelt mounted to the seat
- DST-LUX2** Driver seat - Deluxe 2: electrical adjustment with memory function, lumbar support & heating - seatbelt mounted to the seat
- SBD-RED** Seat belt colour - Red
- SBPRE-DS** Driver seat belt pretensioner
- PST-BAS1** Passenger seat - Fixed non suspended fold up with seatbelt mounted in cab
- PST-CF4** Passenger seat - Suspended, adjustable shock absorber, travel, backrest & lumbar controls - seatbelt mounted to the seat
- PST-CF5** Passenger seat - Suspended with adjustable shock absorber, travel, backrest, lumbar & heat controls - seatbelt mounted to the seat
- PST-RX1** Passenger seat - Fixed non suspended, features: 90-degree rotation and tilt function with seatbelt mounted in cab
- PST-STD2** Passenger seat - Fixed with backrest adjustment, non suspended with seatbelt mounted in cab
- PST-STD4** Passenger seat - Standard suspended with seatbelt mounted in cab
- SBPRE-PS** Passenger seat belt pretensioner
- ARMRE-BB** Armrests - Two on both driver & passenger seats
- ARMRE-DB** Armrests - Two on the driver seat
- ARMRE-PB** Armrests - Two on the passenger seat
- ARU-BAS** Armrest upholstery - Vinyl
- ARU-LEA** Armrest upholstery - Leather
- GRABHI-B** Steel instep cab grab handle
- GRABHI-L** Leather covered instep cab grab handle
- FMAT-RUB** Footwell floor mats - Rubber
- FMAT-TX2** Footwell floor mats - Two sets, Rubber and textile with an embossed pile supplied in the cab
- LBK80F** Lower fixed bunk with wide middle section 815 in the centre x 2000 mm
- LBK80FRE** Lower electrically operated recline bunk with wide middle section 815 in the centre x 2000 mm
- LBK80FRM** Lower manually operated recline bunk with wide middle section 815 in the centre x 2000 mm
- MATL-FI** Firm lower bunk pocket sprung mattress
- MATL-FI4** Lower mattress - firm, memory foam, 2000x700x130 mm
- MATL-SF** Lower flexizone mattress - semi-firm, pocket springs up to 100kg - 16 stone
- OLMAT-BA** 35mm mattress overlay protector
- OLMAT-PR** 50mm premium mattress overlay protector
- TBK60AD** Height adjustable foldable top bunk 600 x 1900mm
- TBK60F** Fixed foldable top bunk 600 x 1900mm
- TBK70AD** Height adjustable foldable top bunk 700 x 1900mm
- TBK70F** Fixed foldable top bunk 700 x 1900mm
- PH-CAB2** 1.8kW Air to air night heater
- PH-ENGCA** Engine and cab night heater
- SLCP-BAS** Sleeper control panel - Basic with switches for interior light, night heater, roof hatch and door lock
- SLCP-LUX** Sleeper control panel - Luxury with switches for interior light, night heater, roof hatch, door lock, alarm clock, window and radio
- SAFE** Safe box for driver's personal items
- RUS-BAS** Rear cab upper storage - 300 mm high
- RUS-HIG** Rear cab upper storage - 440 mm high - volume 245 litres
- TABLE** Folding and height adjustable table - on lower bunk
- REFR-RUS** Fridge - 28 litre rear upper wall mounted with dividers
- REFRIG** Fridge - 33 litre under-bunk mounted with freezer dividers
- MICRO-PK** Wiring preparation kit for microwave oven
- BOTH-D** One bottle holder under dashboard centre section
- BOTH-DL** Two bottle holders, one under dashboard centre section and one mounted to the under bunk drawer
- BOTH-L** One bottle holder mounted to the under bunk drawer
- COFMA-PK** Coffee maker, preparation kit.
- INLI-BAS** Interior white LED lights - basic
- INLI-NL** Interior white and red night LED light with no dimmer
- INLI-NLD** Interior white and red night LED light with dimmer
- ARL-FLEX** Two flexible reading lamps (snake lamps)
- RH-EE** Fixed tinted glass sky window with emergency exit
- RH-ER** Steel roof hatch - Electrically operated, rear opening with emergency exit
- RH-ETR** Tinted glass roof hatch - Electrically operated, rear opening with emergency exit
- RH-MTR** Tinted glass roof hatch - Manually operated, rear opening with emergency exit
- GLAS-TIN** Tinted windows.
- SWIND-BS** Extra side window on both sides behind "B" pillar
- VANMIR** Vanity mirror in front shelf
- AS-FUS** Extra shelf in front upper storage compartments
- INFOT-PK** Preparation kit for the mounting of a flat screen TV in cab above the driver's door, includes bracket, electrical and speaker connections

CAB EXTERIOR

- EXTL-BAS** Basic exterior finish - Satin Volvo badges, grey grille, instep, bumper, bumper spoiler, grille, door handles mirror housing and sunvisor if specified.
- EXTL-EN2** Enhanced complete painted finish - Satin Volvo badges. Main grille, instep, door handles, mirror housing, and bumper in cab colour. Aluminium step inserts. Sunvisor and bumper spoiler in cab colour if specified.
- EXTL-ENH** Enhanced exterior finish - Classic FH Chrome style Volvo badges, painted instep, bumper, bumper spoiler if specified, mirror housing and sun visor.
NEW FH - Satin Volvo badges. Main grille, instep, door handles, mirror housing, and bumper in natural grey. Aluminium step inserts. Sunvisor and bumper spoiler in cab colour if specified.

Standard Equipment

Optional Equipment

For more detailed information about cab and powertrain equipment, please refer to separate specification sheets.

For all possible options and combinations of options please consult your Volvo sales contact who can create a specification to match your requirements using the Volvo Sales Support system (VSS).

The factory reserves the right to modify design and change equipment without previous notification. The specification can vary from country to country.

MODEL RANGE

NEW FH 13 8x2 Tag Rigid - Rear Air Suspension FH 82RF 3A

- **DGLAS-H** Tempered door glass
 - **DGLAS-L** Laminated door glass
 - **LOCK-REM** Door locks - Remote central locking
 - **BUMP-B** Plastic front bumper
 - **BUMP-B2** Steel front bumper
 - **BUMP-HD** Heavy duty front bumper
 - **BUMP-SP** Front bumper spoiler
 - **GUARD-EH** Engine guard to protect sump and engine hoses
 - **BUGNET** Insect screen in front of radiator
 - **CTILT-P-E** Electrically operated hydraulic cab tilt
 - **CTILT-P-M** Manually operated hydraulic cab tilt
 - **FCABS-A** Front cab suspension - Air
 - **FCABS-M** Front cab suspension - Mechanical spring
 - **RCABS-A** Rear cab suspension - Air
 - **RCABS-M** Rear cab suspension - Mechanical spring
 - **HCC-INEX** Exterior and interior hood catch control
 - **MIRCFPCS** Mirrors - Electrically heated and operated main and wide-angle with manually adjusted kerb view mirror on the passenger side and position camera in nearside mirror arm.
 - **MIRCOMF** Electrically heated and operated main and wide angle mirrors and manually adjusted kerb view mirror on passenger side
 - **MIRSTD** Electrically heated main and wide angle mirrors and manually adjusted kerb view mirror on passenger side
 - **AMIR-F20** Auxiliary front view mirror with a 200mm radius
 - **SUNV-H** External smoke grey sunvisor
 - **AD-ROOF** Roof air deflector
 - **AD-SIDES** Short cab side air deflector for rigid bodywork
 - **HL-BASIC** Halogen H7 head lamps
 - **HL-CLEAN** Head lamp cleaner - washer jets
 - **HLP-ST** Headlamp protection
 - **HL-ADJ** Headlight adjustment - Switch in cab
 - **DRIVL2** Two spot lamps
 - **UDRIVL** Without auxiliary driving lights
 - **FOGL-WC** Front fog lights
 - **CL-STAT** Static corner lights
 - **ASL-RF2** Two Hella H11 70W spotlamps in sign box - only available with the basic headlight and no lower driving lights.
 - **BEACOA2F** Roof beacons - Two amber front
 - **BEACOA2R** Roof beacons - Two amber rear roof-mounted on accessory bracket
 - **BEACON-P** Roof beacons - wiring preparation only
 - **BEACONA4** Roof beacons - Four amber - two front/ two rear
 - **CABPT-R1** Single outlet for roof mounted accessories
 - **CABPT-R2** Twin outlets for roof mounted accessories.
 - **SPOTP-F** Spotlamp preparation in front, max 280W
 - **SPOTP-R** Spotlamp preparation on roof, max 280W
 - **SPOTP-RF** Spotlamp preparation on cab roof and in cab front, max 2x280W
 - **ROS-IL2** Preparation kit for illuminated roof sign with switch loose in cab, fit after registration
 - **CSGN-GTR** "Globetrotter" headboard logo
 - **HORN-F1S** Horn - Air single tone - chassis mounted
 - **HORN-R2S** Horn - Air - Two roof-mounted
 - **ANT-CBR** Roof mounted antenna for CB radio, single aerial
 - **ACCB-AP** Front, middle & rear roof mounted accessory brackets
 - **ACCB-F** Front roof mounted accessory bracket
 - **ACCB-FM** Front & middle roof mounted accessory brackets
 - **ACCB-FR** Front & rear roof mounted accessory brackets
 - **ACCB-R** Middle roof mounted accessory bracket
 - **ACCB-RM** Rear roof mounted accessory bracket
 - **ACCB-RM** Rear & middle roof mounted accessory brackets
 - **STUC-B** Left and right storage compartments under cab
 - **STUC-L** Left storage compartment under cab
 - **STUC-R** Right storage compartment under cab
 - **REFS-TW** White cab conspicuity markings by packed in cab
 - **REFS-TY** Yellow cab conspicuity markings by packed in cab
- ### SUPERSTRUCTURE PREPARATIONS
- **SRWL-PK** Chassis-mounted working lamps - Side work and reverse lamp preparation and 3 position switch - Max load 280W
 - **SWL-2FW** Chassis-mounted working lamps - Two white front-mounted LED lamps
 - **SWL-2RW** Chassis-mounted working lamps - Two white rear-mounted LED lamps
 - **SWL-4W** Chassis-mounted working lamps - Four white front and rear-mounted LED lamps
 - **SWL-PK** Chassis-mounted working lamps - Side work lamp preparation and 2 position switch - Max load 280W
 - **WLC-H2W** Two H3/70W white working lamps high mounted on the back of cab
 - **WLC-PKH** Working lamp back of cab - Preparation kit - cables and switch
 - **WLC-PKH** Preparation kit, cables and switch for high mounted working lamps back of cab
 - **WLC-PKL** Preparation kit, cables and switch for low mounted working lamps back of cab
 - **WLC-PKLH** Preparation kit - cables and switch for low and high mounted working lamps back of cab.
 - **ECBB-HIG** Body builder electrical centre with body builder module
 - **BBCHAS1** One 7-pole connector for Body builder interface
 - **BBCHAS3** Three 7-pole connectors for Body builder interface
 - **BEPR-T2** Body builder electrical software preparation for tipper with remote control
 - **EXSTER** External steering control - Volvo dynamic steering and bodybuilder module prepared for external control system, installed and computer by bodybuilder
 - **TD-LED** Trailer detection with LED sensing
 - **FRFS-B5** Frame rail free space on both sides to give space for crane legs or other equipment.
 - **FBA-BTF** Lower front body attachments for torsionally flexible - platform body
 - **FBA-BT5F** Lower front body attachments for torsionally semi-flexible body - box or curtainsider
 - **HBA-FSFB** Holes for body attachments - flexible/semi-flexible body
 - **HBA-SB** Holes for body attachments - stiff body
 - **RBA-T2** Lower rear body attachments for helper frame
 - **CRANEPK1** Crane plates mounted to frame, for cranes up to 10 tonne metre capacity
 - **CRANEPK2** Crane plates mounted to frame, for cranes up to 20 tonne metre capacity
 - **CRANEPK4** Crane plates mounted to frame, for cranes up to 40 tonne metre capacity
 - **AUXL-SPK** Electrical preparation kit - wiring and switch for snow plough lights
 - **TAILPRE2** Tail lift preparation kit, wireless remote operation
 - **TAILPREP** Taillift preparation kit - cab switch and warning in driver display
 - **AESW2** Two Body builder bistable electrical switches (marked AUX1 / AUX2)
 - **AESW2PK** 2 Body builder bistable el.switches (marked AUX1/AUX2) and prep. for 4 more switches
 - **AUXSW-4** Wiring for 4 extra switches (from Body builder electrical centre to switch positions)

DELIVERY SERVICES

- Standard Equipment
- Optional Equipment

For more detailed information about cab and powertrain equipment, please refer to separate specification sheets.

For all possible options and combinations of options please consult your Volvo sales contact who can create a specification to match your requirements using the Volvo Sales Support system (VSS).

The factory reserves the right to modify design and change equipment without previous notification. The specification can vary from country to country.

MODEL RANGE

NEW FH 13 8x2 Tag Rigid - Rear Air Suspension FH 82RF 3A

- **TGW-4GWL** Telematics gateway - GSM/GPRS/4G modem, LTE & WLAN
- **FMS-PK** Fleet Management System gateway
- **DRUT2** Driver utility app - "My Truck" - two-year subscription
For mobile phone, tablet, with android and IOS systems.
Only available with Volvo Connect subscription

VOLVO

Volvo Truck Corporation
volvotrucks.com