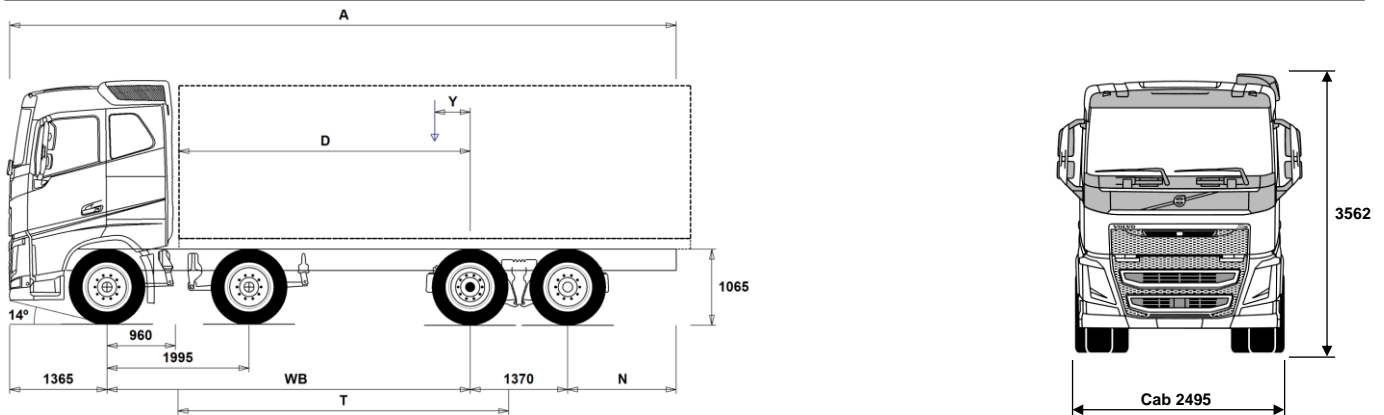


# MODEL RANGE



Volvo Trucks. Driving Progress

FH 16 8x2 Platform - Tag - Rear Air Suspension - Left hand drive only CA required FH



## Chassis Dimensions [mm]

WB Wheelbase	5100	5600	6000
A Overall Chassis Length	10660	11410	12060
D Center of rear axle to front of body	4090	4590	4990
N Rear Overhang (Min.)	1225	1225	1225
N Rear Overhang (Max.)	2825	3075	3325
T Theoretical Wheelbase	4643	5143	5543
Y Center of Gravity for Payload (Min.)	624	771	891
Y Center of Gravity for Payload (Max.)	1238	1454	1629

## Chassis Weights [kg]

Front Axles	7320	7235	7180
Rear Bogie	2020	2160	2280
Kerb Weight	9340	9395	9460
Payload (including body, driver, fuel, etc.)	22660	22605	22540

## Turning Diameter [mm]

Turning Circle Diameter Kerb to Kerb	20200	21800	23100
Turning Circle Diameter Wall to Wall	21500	23100	24400

## Plated Weights [kg]

	Plated	Design
Gross Vehicle Weight	32000	35000
Gross Combination Weight	44000	44000
Front Axles	16000	16000
Rear Bogie	19000	19000

## Important Notes

### Chassis Dimensions

Cab Height: +305 mm for CAB-HSLP, -283 mm for CAB-LSLP, +450 mm for CAB-XHSL.

D-measure includes a front clearance of 50 mm and for rigid trucks also a subframe of 100 mm.

Height can vary  $\pm 20$  mm for leaf and  $\pm 10$  mm for air suspension.

All dimensions are for unladen chassis and any tag axles down. Chassis height used: CHH-HIGH.

Rear overhang used for vehicle weight calculation is the maximum rear overhang (N Max.) for selected wheelbase.

Height change when chassis height CHH-MED,FRAME300: 0 mm.

Weight and dimensions are based upon the following tyres:

Front Axle Tyres:	315/80R22.5
Drive Axle Tyres:	315/80R22.5
Trailing/Pusher Axle Tyres:	315/80R22.5

**Chassis weight includes oil, water, AdBlue, 0 litres fuel and without driver. Kerb weight can vary  $\pm 3\%$ .**

Turning diameters are theoretically calculated. Tag axle used: TA-FIXED.

Legal weights can differ from country to country.

For more detailed weight information, including optional equipment weights, ask your Volvo sales contact to enter your specification into the Volvo Weight Information system (WIS).

Do NOT use this drawing for bodybuilding. Refer to Volvo Bodybuilder Instructions and chassis assembly drawing FH82FR6HA.

# MODEL RANGE

FH 16 8x2 Platform - Tag - Rear Air Suspension - Left hand drive only CA required FH

## TRUCK USE

- RC-ROUGH** Operating class on/off road
- RC-SMOOT** Operating class highway
- TIPP-PRE** Tipper vehicle preparation
- UNIFORM** Basic platform vehicle

## CORE COMPONENTS

- CHH-HIGH** Chassis height high - N3 "On Road" chassis - For a specific loading height always check the unique BEP chassis drawing
- CHH-MED** Chassis height medium - For a specific loading height always check the unique BEP chassis drawing
- TA-HYSBS** Electro-hydraulic steered tag axle, with steering lock out at 38kph  
8x2 models with rear steer will use the engine PTO to drive the steering pump, so will need an adapter.
- TAG-FIXD** Tag axle - Fixed with twin tyres on tag axle
- TAG-FIXS** Tag axle - Fixed with single tyres on tag axle
- FH16HSLP** Globetrotter cab - all steel safety cage design with roof mounted emergency escape hatch.  
Designed and built to Swedish impact and ECE R29 regulations
- FH16SLP** Sleeper cab - all steel safety cage design with roof mounted emergency escape hatch.  
Designed and built to Swedish impact and ECE R29 regulations
- FH16XHSL** Globetrotter XL cab - all steel safety cage design with roof mounted emergency escape hatch.  
Designed and built to Swedish impact and ECE R29 regulations
- D16K550** D16K550 16litre engine developing 550hp at 1550-1900rpm SCR & EGR.  
Peak torque 2900Nm at 900-1350rpm.  
2800Nm at 900-1400rpm with manual gearbox
- D16K650** D16K650 16litre engine developing 650hp at 1450-1900rpm SCR & EGR.
- D16K750** D16K750 16litre engine developing 750hp at 1600-1800rpm SCR & EGR.  
Peak torque 3550Nm at 950-1400rpm.
- EBR-EPG** Exhaust brake controlled by steering column switch
- EBR-VEB+** Volvo engine brake + and exhaust pressure governor, enhanced performance from additional exhaust rocker control. Retardation 375kW
- AT2812F** AT2812E 12-speed "I-shift" automated mechanical gearbox suitable for gross train weights up to 60 tonne refer to sales engineering when used in conjunction with a PTO
- ATO3112F** ATO3112F 12-speed "I-shift" overdrive automated mechanical gearbox suitable for gross train weights up to 60tonne refer to sales engineering when used in conjunction with a PTO
- ATO3512F** ATO3512F 12-speed "I-shift" automated mechanical gearbox suitable for gross train weights up to 60 tonne refer to sales engineering when used in conjunction with a PTO
- RSH1370F** RSH1370F hub reduction rear axle with differential lock - design GCW 70 tonne
- RSS1370A** RSS1370A single reduction 13 tonne rear axle with differential lock - design GCW 70 tonne
- RSS1370B** RSS1370B single reduction 13 tonne rear axle with differential lock - design GCW 70 tonne

## PACKAGES

- LHFP-VE** Long Haul Fuel Economy driving package
- LHFP-VE+** Long Haul Fuel Economy plus driving package
- DRIV16++** Cab Package: Drive ++
- DRIVE16+** Cab Package: Drive +
- 1BED** Living package with single bed:
- 1BED+** Living package with single bed plus:

Standard Equipment       Optional Equipment

For more detailed information about cab and powertrain equipment, please refer to separate specification sheets.

For all possible options and combinations of options please consult your Volvo sales contact who can create a specification to match your requirements using the Volvo Sales Support system (VSS).

The factory reserves the right to modify design and change equipment without previous notification. The specification can vary from country to country.

- 2BED** Living package with two beds:
- 2BED+** Living package with two beds plus:
- AUDHIG** High Power Audio system: RDS radio with CD player - also playing MP3/WMA files from CD -, with integrated bluetooth phone and USB/Line inputs. FM/AM antenna, speakers in dashboard, doors, and sleeping compartment.
- MEDIA** AM/FM Bluetooth radio without CD player.  
USB and Aux line inputs.  
Speakers in dashboard, doors, and sleeping compartment.  
7" touch screen with personal apps.
- MEDIADF** AM/FM Bluetooth radio without CD player.  
USB and Aux line inputs.  
Speakers in dashboard, doors, and sleeping compartment.  
7" touch screen with personal and professional apps.  
Dynafleet vehicle on-board data display with office internet support.
- MEDIANAV** AM/FM Bluetooth radio without CD player.  
USB and Aux line inputs.  
Speakers in dashboard, doors, and sleeping compartment.  
7" touch screen with personal and professional apps.  
Truck based satellite navigation (live updates not included)
- MEDIAADF** AM/FM Bluetooth radio without CD player.  
USB and Aux line inputs.  
Speakers in dashboard, doors, and sleeping compartment.  
7" touch screen with personal and professional apps.  
Truck based satellite navigation (live updates not included)  
Dynafleet vehicle on-board data display with office internet support.
- VISI15** Visibility Package
- VISI15+** Visibility Plus Package
- VISIC15** Visibility Package
- RCHAPAC1** Chassis Package Rigid
- CHASSIS**
  - FST-AIR** Front suspension type - air
  - FST-PAR** Front suspension type - 2 leaf parabolic springs
  - FST-PAR3** Front suspension type - 3 leaf parabolic springs
  - FSLS-BAS** Front suspension levelling - basic stroke
  - FAL16.0** Front axles design capacity 16 tonnes - 2 x 8.0 tonne front axles
  - FAL18.0** Front axles design capacity 18 tonnes - 2 x 9 tonne front axles - check tyre load index
  - FAL20.0** Front axles design capacity 20 tonnes - 2 x 10.0 tonne front axles only available with front air suspension.
  - FSM-LUB** Lubricated rear shackles on front suspension pins and bushings
    - FSTAB** Front anti-roll bar
    - FSTAB2** Front anti-roll bar medium stiffness
    - FSTAB3** Front stiff anti-roll bar
    - RAL19** Rear bogie design capacity 19 tonnes
    - RAL20.5** Rear bogie design capacity 20.5 tonnes
    - RAL22.5** Rear bogie design capacity 22.5 tonnes
    - RAL23** Rear bogie design capacity 23 tonnes
    - RSTAB2** Rear anti roll bar medium stiffness
    - RSTAB3** Rear stiff anti-roll bar
    - RALIM115** Rear axle load limiter, 11.5 tonnes
    - ACTST-TO** Volvo Dynamic Steering (VDS) with with extra electronic pump and torque overlay
    - ASFE-BAS** Active steering feature - Basic - Volvo Dynamic Steering only
    - ASFE-PS** Active steering feature - Volvo Dynamic Steering with personal settings
    - PSS-DUAL** Dual power steering system
    - AUXPSP** Extra power steering pump driven by the engine PTO (PTER-DIN) so an adapter is required to drive any other equipment.
    - PSP-VAR** Power steering pump with variable displacement
    - EBS-MED** EBS medium package including "hill" hold function

# MODEL RANGE

## FH 16 8x2 Platform - Tag - Rear Air Suspension - Left hand drive only CA required FH

- **FRAME300** Frame rail section external height 300 mm
  - **FST8080** Frame thickness - web and flange 8.0mm
  - **FIL-EEEB** Inner liner from end of engine to end of bogie
  - **FIL-EEEF** Inner liner from end of engine to end of frame
  - **FIL-TXEB** Inner liner from gearbox member to end of bogie
  - **FIL-TXEF** Inner liner from gearbox member to end of frame
  - **BBOX-L** Battery box located on left hand side
  - **2BAT210B** 2 x 210 Ah capacity Gel batteries
  - **2BATT225** 2 x 225 Ah capacity batteries
  - **BATTAMP** Battery voltage and ampere gauge
  - **BATTIND** Battery charge indication
  - **ADR2** ADR package for transportation of dangerous goods on road (Note does NOT include safe loading pass package if required this is quoted separately)
  - **MSWI-A** Main switch - ADR switch circuit shut down
  - **MSWI-C** Main switch - Chassis mounted toggle switch by battery box
  - **MSWI-R** Main switch - Key fob operated remote controlled
  - **UR-FUEL** Without right fuel tank  
Min volume 255l  
Max volume 810l
  - **UL-FUEL** Without left fuel tank  
Min volume 160l  
Max volume 450l
  - **ADTP-L** AdBlue tank on left hand side
  - **ADTP-R** AdBlue tank on right hand side
  - **ADB032** AdBlue tank usable volume 32 litres
  - **ADB048** AdBlue tank usable volume 48 litres
  - **ADB064** AdBlue tank usable volume 64 litres
  - **ADTC-BF** AdBlue tank cover with satin alloy look decorative cover
  - **FCAP-L** Locking fuel filler cap
  - **FUFF-AS** Fuel filling anti-spillage device
  - **FUFF-ATS** Fuel filling anti-theft and anti-spillage devices
  - **ESH-LEFT** Horizontal silencer, left exhaust outlet
  - **ESH-REAR** Horizontal silencer, rear exhaust outlet
  - **ESH-VERT** Horizontal silencer, vertical exhaust outlet
  - **ESHVERT** Horizontal chassis mounted diesel particulate filter and vertical SCR silencer behind cab
  - **EXST-SSP** Stainless steel exhaust stack - NOT polished
  - **EXST-ST** Steel exhaust stack
  - **WHC-FIX2** Two fixed wheel chocks
  - **WHC-FOL2** Two foldable wheel chocks
  - **WHCP-F** Wheel chock(s) stored in the front part of the vehicle
  - **WHCP-R** Wheel chock(s) stored in the rear part of the vehicle
  - **WHCP-T** Transport mounted wheel chock(s) stored in cab outer luggage locker
  - **TB-L80** Toolbox 800 mm, left side
  - **TB-R80** Toolbox 800 mm, right side
  - **SUP-BAS** EC approved chassis side guards
  - **CHAIN-S** Snow chains
  - **HOOK-SC** Snow chain hooks
  - **TOWF-NO1** One front towing device
  - **TOWF-NO2** Two front towing devices
  - **TOWMBRH** Towing member, high mounted in centre of frame, D = 190
  - **TOWMBRL1** Towing member, low mounted under the frame
  - **TOWMBRM** Towing member, medium mounted in line with frame lower flange
  - **RFEC-S** Rear frame end, straight cut for regular platform applications
  - **RFEC-U** Rear frame end, upper cut for tipper applications.
  - **C-RI4040** Towing coupling, Ringfeder 4040 G-150
  - **C-RI5055** Towing coupling, Ringfeder 5055 G-150
  - **C-RO400G** Towing coupling, Rockinger 400 G-150 for 40mm eyes
  - **C-RO50** Rockinger RO 50 50mm for centre axle trailer
  - **TOWR-ONE** Towing hitch attached to rear crossmember
  - **TREL-PK** Trailer electrical preparation kit - chassis/cab wiring
  - **TREL14** Single 14 pole electrical trailer connector
  - **TREL15** Single 15 pole electrical trailer connector - ADR certified
  - **TREL7** 7 pole - 24N trailer electrical suzie
  - **TREL7-7** 24N and 24S trailer electrical suzies
  - **TBC-DUO** Duomatic type air line connectors
  - **TBC-EC** Palm coupling type air line connectors
  - **TRBR-HCF** Full pressure hand controlled trailer brake
  - **TRBR-STA** Stationary trailer brake control
  - **TRB-STRE** Stretch Brake - Automatic low speed trailer brake activation to avoid jack-knifing and improve steerability
  - **RUP-FOSL** Folding & sliding EC approved aluminium rear underrun
  - **FFEND-B** Standard mounted mud wings on second front axle
  - **FFEND-T** Transport mounted mud wings on second front axle
  - **RFEND-B** Three piece EC approved rear mud wings and spray flaps
  - **RFEND-T** Rear mud wings, transport mounted
  - **RFH-BAS** Basic rear wing height
  - **RFH-HIG** High rear wing height - higher wing tops
  - **RFH-LOW** Lower rear wing height - shallower wing tops
  - **ATANK-AL** Aluminium air tanks
  - **ATANK-ST** Steel air tanks
  - **TL-LED** Rear lights LED
  - **BLIGHT-E** Emergency brake light
- ### WHEELS & TYRES
- **RT-AL** Alcoa brushed aluminium rims with standard holes for long stud fixing on all axles
  - **RT-ALDP** Alcoa Dura-Bright EVO aluminium rims with standard holes long stud fixing on all axles, requires cleaning with a ph neutral solution - washing up liquid.
  - **RT-ALDPD** Alcoa Dura-Bright EVO aluminium rims with countersunk holes for short stud fixing on all axles, requires cleaning with a ph neutral solution - washing up liquid.
  - **RT-ALDU** Alcoa brushed aluminium rims with countersunk holes for short stud fixing on all axles
  - **RT-STEEL** Steel rims on all axles
  - **WCAP** Aerodynamic hub caps
  - **SPWT-D** Spare wheel & tyre with rear tyre pattern
  - **SPWT-F** Spare wheel & tyre with front tyre pattern
  - **SWCP-LF** Spare wheel carrier on left side of chassis ahead of rear axle
  - **SWCP-T** Spare wheel supplied temporarily strapped to chassis
  - **SWCP-TP** Temporary spare wheel carrier on top of chassis frame
  - **JACK-12T** 12 tonne bottle jack
  - **JACK-15T** 15 tonne bottle jack
  - **JACK-20T** 20 tonne bottle jack
  - **TOOL-BAS** Basic Toolkit
  - **TOOLKIT** Complete tool kit
  - **INFLAHOS** Tyre inflation hose
  - **GAUGE-TP** Tyre pressure gauge
- ### DRIVELINE EQUIPMENT
- **ASO-C** Crawler gear -  
Ratio direct top gearbox 19:1  
Ratio Overdrive gearbox 17:1
  - **ASO-ULC** Ultra low crawler and crawler gear -  
Ratios direct top gearbox 32:1 and 19:1  
Ratios Overdrive box 32:1 and 17:1
  - **TRAP-HD** Reinforced gearbox application
  - **TP-CON** Construction Package
- Standard Equipment      □ Optional Equipment

For more detailed information about cab and powertrain equipment, please refer to separate specification sheets.

For all possible options and combinations of options please consult your Volvo sales contact who can create a specification to match your requirements using the Volvo Sales Support system (VSS).

The factory reserves the right to modify design and change equipment without previous notification. The specification can vary from country to country.

# MODEL RANGE

## FH 16 8x2 Platform - Tag - Rear Air Suspension - Left hand drive only CA required FH

- |   |  |
|---|--|
| <ul style="list-style-type: none"> <li><input type="checkbox"/> <b>TP-DIST</b> Distribution Package</li> <li><input type="checkbox"/> <b>TP-LONG</b> Long Haul Package</li> <li><input type="checkbox"/> <b>AMSO-AUT</b> Enhanced I-shift software with manual shift available in auto mode and kickdown facility on accelerator pedal</li> <li><input type="checkbox"/> <b>AVO-ENH</b> Enhanced software for off road driveability and starting</li> <li><input type="checkbox"/> <b>APF-ENH</b> I-shift enhanced PTO functions</li> <li><input type="checkbox"/> <b>CD43-O</b> Dual plate clutch, plate diameter 430 mm</li> <li><input type="checkbox"/> <b>TC-MAOH2</b> Extra high performance transmission oil cooler - air to oil with front mounted radiator</li> <li><input type="checkbox"/> <b>TC-MWO</b> Basic transmission oil cooler - water to oil</li> <li><input type="checkbox"/> <b>2COM1100</b> Two cylinder, air compressor, 1100 litres per minute</li> <li><input checked="" type="checkbox"/> <b>2COMP900</b> Two cylinder, air compressor, 900 litres per minute</li> <li><input type="checkbox"/> <b>CLU-AIRC</b> Clutchable air compressor</li> <li><input checked="" type="checkbox"/> <b>AIRIN-FR</b> Front air intake fitted to the underside of cab engine tunnel</li> <li><input checked="" type="checkbox"/> <b>AIRIN-HI</b> Roof mounted air intake behind cab on left hand side</li> <li><input type="checkbox"/> <b>AIRIN-LO</b> Low level air intake behind cab on left hand side</li> <li><input type="checkbox"/> <b>ACL1ST-S</b> Two stage air filter</li> <li><input checked="" type="checkbox"/> <b>24AL120B</b> 120 amp alternator</li> <li><input type="checkbox"/> <b>24AL150B</b> 150 amp alternator</li> <li><input checked="" type="checkbox"/> <b>CCV-C</b> Closed crankcase engine ventilation</li> <li><input type="checkbox"/> <b>CCV-OX</b> Closed crankcase ventilation for cold markets</li> <li><input checked="" type="checkbox"/> <b>PRIM-EL</b> Electrical priming pump</li> <li><input type="checkbox"/> <b>AF-R</b> Hot fuel recirculation heated fuel filter</li> <li><input type="checkbox"/> <b>FUEFE2LW</b> Large engine mounted dual fuel filter with water separator</li> <li><input checked="" type="checkbox"/> <b>FUEFE2SW</b> Small engine mounted dual fuel filter with water separator</li> <li><input type="checkbox"/> <b>EST-AID</b> Air inlet manifold starting heater element</li> <li><input type="checkbox"/> <b>220EBH15</b> 220V/1.5Kw electric engine block heater</li> <li><input type="checkbox"/> <b>PTER-100</b> Rear engine mounted power-take-off with DIN 100 / ISO 7646 flange</li> <li><input type="checkbox"/> <b>PTER-DIN</b> Rear engine mounted PTO with DIN5462 (female) splined shaft for a close coupled pump. Models with 3 steering axles will use this to drive the steering pump (AUXPSP)</li> <li><input type="checkbox"/> <b>PTER1400</b> Rear engine mounted power-take-off with SAE 1410 flange</li> <li><input type="checkbox"/> <b>HPE-F101</b> Parker F1-101, engine mounted, fixed displacement, single flow, engine mounted hydraulic pump</li> <li><input type="checkbox"/> <b>HPE-F41</b> Parker F1-41, engine mounted, fixed displacement, single flow, engine mounted hydraulic pump</li> <li><input type="checkbox"/> <b>HPE-F51</b> Parker F1-51, engine mounted, fixed displacement, single flow, engine mounted hydraulic pump</li> <li><input type="checkbox"/> <b>HPE-F61</b> Parker F1-61, engine mounted, fixed displacement, single flow, engine mounted hydraulic pump</li> <li><input type="checkbox"/> <b>HPE-F81</b> Parker F1-81, engine mounted, fixed displacement, single flow, engine mounted hydraulic pump</li> <li><input type="checkbox"/> <b>HPE-T53</b> Parker F2-53/53, engine mounted, Fixed displacement, Twin flow engine mounted hydraulic pump</li> <li><input type="checkbox"/> <b>HPE-T70</b> Parker F2-70/35, engine mounted, Fixed displacement, Twin flow engine mounted hydraulic pump</li> <li><input type="checkbox"/> <b>HPE-V45</b> Parker VP1-45, variable displacement, single flow, engine mounted hydraulic pump</li> <li><input type="checkbox"/> <b>HPE-V75</b> Parker VP1-75, variable displacement, single flow, engine mounted hydraulic pump</li> <li><input type="checkbox"/> <b>PTR-D</b> Gearbox PTO for plug-in pump, 0.71xeng speed</li> <li><input type="checkbox"/> <b>PTR-DH</b> Gearbox driven high speed PTO for one plug-in hydraulic pump</li> <li><input type="checkbox"/> <b>PTR-DM</b> Gearbox driven medium speed PTO for one plug-in hydraulic pump</li> <li><input type="checkbox"/> <b>PTR-F</b> Gearbox driven PTO with rear flange connection</li> <li><input type="checkbox"/> <b>PTRD-D</b> Gearbox driven HIGH SPEED PTO for two plug-in hydraulic pumps</li> <li><input type="checkbox"/> <b>PTRD-F</b> PTO with 1 DIN + 1 flange connection rear, manual gearbox</li> <li><input type="checkbox"/> <b>HPG-F101</b> Parker F1-101 gearbox mounted, fixed displacement, single flow, hydraulic pump</li> <li><input type="checkbox"/> <b>HPG-F41</b> Parker F1-41 gearbox mounted, fixed displacement, single</li> </ul> | <ul style="list-style-type: none"> <li><input type="checkbox"/> <b>HPG-F51</b> flow, hydraulic pump</li> <li><input type="checkbox"/> <b>HPG-F61</b> Parker F1-61 gearbox mounted, fixed displacement, single flow, hydraulic pump</li> <li><input type="checkbox"/> <b>HPG-F81</b> Parker F1-81 gearbox mounted, fixed displacement, single flow, hydraulic pump</li> <li><input type="checkbox"/> <b>EIDLESD</b> Engine idle shut down</li> <li><input type="checkbox"/> <b>DTRI-PER</b> Dashboard in darker peregrine greyish brown. Steering wheel grey and door panels in light beige for FH and black for FH16.</li> <li><input type="checkbox"/> <b>DTRI-SRA</b> Dashboard and steering wheel cover in light beige skylark. Door panels in light beige for FH and black for FH16.</li> <li><input checked="" type="checkbox"/> <b>STWPOS-L</b> LEFT HAND DRIVE</li> <li><input checked="" type="checkbox"/> <b>STWM-LE</b> Leather steering wheel</li> <li><input type="checkbox"/> <b>STGW-AD2</b> Adjustable steering wheel with neck tilt</li> <li><input checked="" type="checkbox"/> <b>STGW-ADJ</b> Adjustable steering wheel</li> <li><input checked="" type="checkbox"/> <b>AIRBAG</b> SRS Driver's air bag</li> <li><input checked="" type="checkbox"/> <b>DRC-AMII</b> DPF Regeneration control switch - for manual and switching off regeneration</li> <li><input checked="" type="checkbox"/> <b>1DAYDIG2</b> Continental VDO DTCO 4.0 smart tachograph<br/>This tachograph can ONLY offer remote download if the option of Dynafleet or an FMS gateway has been specified with this order.</li> <li><input type="checkbox"/> <b>1DAYDIGP</b> Continental VDO DTCO 3.0 digital tachograph<br/>For vehicles with long lead time - this includes prep kit for the retrofit of DTCO 4.0 tachograph.<br/>For updating to new legal demand for trick registration from 15th June 2019.<br/>This tachograph can ONLY offer remote download if the option of Dynafleet or an FMS gateway has been specified with this order.</li> <li><input type="checkbox"/> <b>ARSL</b> Additional road speed limit - switch in dashboard</li> <li><input type="checkbox"/> <b>CRUISE-E</b> Eco cruise control (with eco-roll and I-cruise, controls in steering wheel)</li> <li><input checked="" type="checkbox"/> <b>CRUISEC</b> Cruise control, standard</li> <li><input type="checkbox"/> <b>LSS-DW</b> Lane departure-warning system</li> <li><input type="checkbox"/> <b>LCS</b> Lane change support</li> <li><input type="checkbox"/> <b>DAS-W</b> Driver Alert Support system</li> <li><input type="checkbox"/> <b>RSENS-W</b> Rain sensing windscreen wipers</li> <li><input checked="" type="checkbox"/> <b>CU-ECC</b> Electrically controlled air conditioning with sun sensor</li> <li><input type="checkbox"/> <b>CU-ECC2</b> Electrically controlled air conditioning with sun sensor, mist sensor, air quality sensor and carbon filter</li> <li><input checked="" type="checkbox"/> <b>IMMOBIL</b> Thatcham H2 approved immobiliser</li> <li><input type="checkbox"/> <b>ALARM-B</b> Thatcham H1 approved vehicle alarm - Cab only</li> <li><input type="checkbox"/> <b>ALARM-E</b> Enhanced vehicle alarm - Thatcham H1 approved - Cab plus external sensor for body/trailer</li> <li><input type="checkbox"/> <b>ALCOLOCK</b> Alcolock</li> <li><input type="checkbox"/> <b>AMPL400</b> Radio amplifier, 8 channel, 400 W with subwoofer<br/>Located in right hand external storage box</li> <li><input type="checkbox"/> <b>BUPMON</b> Back up monitor with built in 7" screen on dash and one colour camera supplied loose for fitment by bodybuilder.<br/>Can accommodate up to 4 cameras for TfL Safe Scheme, CLOCS and FORS.</li> <li><input type="checkbox"/> <b>PHONE-PK</b> Telephone preparation kit (antenna, antenna attachm. cable incl.)</li> <li><input checked="" type="checkbox"/> <b>WLIFT-AD</b> Electrical window lift, automatic up/down driver side</li> <li><input type="checkbox"/> <b>ISUNS-BS</b> Side interior sun visor on both sides</li> <li><input checked="" type="checkbox"/> <b>ISUNS-DS</b> Driver's side interior sun visor</li> <li><input type="checkbox"/> <b>ISUNF-RE</b> Electrically operated textile interior sun blind</li> </ul> |
|---|--|

Standard Equipment

Optional Equipment

For more detailed information about cab and powertrain equipment, please refer to separate specification sheets.

For all possible options and combinations of options please consult your Volvo sales contact who can create a specification to match your requirements using the Volvo Sales Support system (VSS).

The factory reserves the right to modify design and change equipment without previous notification. The specification can vary from country to country.

# MODEL RANGE

## FH 16 8x2 Platform - Tag - Rear Air Suspension - Left hand drive only CA required FH

- **ISUNF-RM** Manually operated textile interior sun blind
- **CSPL-BX** Lower center dash open storage box
- **CSPL-BXD** Lower centre dash drawer
- **CSPU-SDR** One open storage and one drawer - behind push open lid - in upper part of the centre dash panel
- **CSPU-SS** Two open storages - behind push open lid in upper part of the centre dash panel
- **ADFS** Two extra DIN slots in front shelf - can be fitted with card or drawer available as an accessory
- **BUPALARM** Reverse alarm
- **RTOLL-PK** Road toll PREPARATION kit for trucks operating with "Toll Collect" in Germany
- **LOADIND** Load indicator with central dashboard display
- **REMC-MF** Multi-functio wireless remote control
- **FIREXT3S** 3kg fire extinguisher mounted on seat base
- **WARNVEST** High visibility warning vest - no sleeves
- **AIDKIT** First aid kit
- **AIDKIT1B** First aid kit
- **WARNLAMP** Portable warning lamp
- **LAMP-IN** Inspection lamp
- **BULBKIT** Bulb and fuse kit
- **WRITEPAD** Writing pad
- **UPHTRIO4** Interior trim:  
Seats: Black/green textile insert, black leather bolster & green/yellow leather side insert  
Cab walls: Soft textile with matching grey, green and black colours
- **UPHTRIO5** Interior trim:  
Seats: Light grey leather insert and black leather bolster Cab walls: In matching grey vinyl
- **UPHTRIO8** Interior trim:  
Seats: Black with green perforated leather insert and yellow side edging  
Cab walls: soft textiles in matching grey, green and black
- **DST-CF4** Driver seat, comfort, suspended, belt in seat
- **DST-CF5** Driver seat, comfort, suspended, belt in seat, electrically heated
- **DST-CF6** Driver seat, comfort, suspended, belt in seat, electrically heated, ventilated
- **DST-LUX1** Deluxe suspended drivers seat features: electrical adjustment with memory function, seatbelt in seat with heated & ventilated cushions
- **DST-LUX2** Deluxe suspended drivers seat features: electrical adjustment with memory function, seatbelt in seat and heated cushions
- **SBD-RED** Red seat belts
- **SBPRE-DS** Driver seat belt pretensioner
- **PST-BAS1** Passenger seat - Fixed non suspended fold up with seatbelt mounted in cab
- **PST-BSL1** Passenger seat - Sliding non suspended fold up with seatbelt mounted in cab
- **PST-CF4** Passenger seat - Comfort suspended with seatbelt mounted in seat
- **PST-CF5** Passenger seat - Comfort suspended & heated with seatbelt mounted in seat
- **PST-RX1** Passenger seat - Fixed non suspended, features: 90 degree rotation and tilt function with seatbelt mounted in cab
- **PST-RX2** Passenger seat - Fixed non suspended, features: 90 degree rotation, tilt and heated functions with seatbelt mounted in cab
- **PST-STD2** Passenger seat - Fixed non suspended with seatbelt mounted in cab
- **PST-STD4** Passenger seat - Standard suspended with seatbelt mounted in cab
- **SBPRE-PS** Passenger seat belt pretensioner
- **ARMRE-BB** Two armrests on both driver and passenger seat.
- **ARU-LEA** Leather upholstered armrest
- **GRABHI-L** Leather covered instep cab grab handle
- **FMAT-RUB** Rubber floor mats
- **FMAT-TX2** Textile and rubber floor mats
- **LBK80F** Lower fixed bunk with wide middle section 815 in the centre x 2000 mm
- **LBK80FRE** Lower electrically operated recline bunk with wide middle section 815 in the centre x 2000 mm
- **LBK80FRM** Lower manually operated recline bunk with wide middle section 815 in the centre x 2000 mm
- **MATL-FI** Firm lower bunk pocket sprung mattress
- **MATL-SF** Lower flexizone mattress - semi-firm, pocket springs up to 100kg - 16 stone
- **MATL-SO** Lower flexizone mattress - soft, pocket springs up to 85kg - 13.5 stone
- **OLMAT-BA** 35mm mattress overlay protector
- **OLMAT-PR** 50mm premium mattress overlay protector
- **TBK60AD** Height adjustable foldable top bunk 600 x 1900mm
- **TBK60F** Fixed foldable top bunk 600 x 1900mm
- **TBK70AD** Height adjustable foldable top bunk 700 x 1900mm
- **TBK70F** Fixed foldable top bunk 700 x 1900mm
- **PH-CAB2** 1.8kW Air to air night heater
- **PH-ENGCA** Engine and cab night heater
- **SLCP-BAS** Basic sleeper control panel - includes interior light, parking heater, roof hatch and door lock
- **SLCP-LUX** Luxury sleeper control panel - includes interior light, parking heater, roof hatch, door lock, alarm clock, window and radio
- **SAFE** Safe box for driver's personal items
- **RUS-BAS** Rear cab upper storage 154 litres - 300 mm high
- **RUS-HIG** Rear cab upper storage 245 litres - 440 mm high
- **TABLE** Folding and height adjustable table - on lower bunk
- **REFR-RUS** Fridge: 28 litre rear upper wall mounted with dividers
- **REFRIG** Fridge: 33 litre under bunk mounted with freezer dividers
- **MICRO-PK** Preparation kit for microwave oven (wiring)
- **BOTH-D** One bottle holder under dashboard centre section
- **BOTH-DL** Two bottle holders, one under dashboard centre section and one mounted to the under bunk drawer
- **BOTH-L** One bottle holder mounted to the under bunk drawer
- **COFMA-PK** Coffee maker, preparation kit.
- **INLI-BAS** Interior white LED lights - basic
- **INLI-NL** Interior white and red night LED light with no dimmer
- **INLI-NLD** Interior white and red night LED light with dimmer
- **ARL-FLEX** Two flexible reading lamps (snake lamps)
- **RH-EE** Without roof hatch -Tinted glass emergency exit ONLY
- **RH-ETR** Glass roof & escape hatch - Electrically operated, tinted glass with rear opening
- **RH-MTR** Glass roof & escape hatch - Manually operated, tinted glass with rear opening  
Without roof hatch
- **URH**
- **SWIND-BS** Extra side window on both sides behind "B" pillar
- **VANMIR** Vanity mirror in front shelf
- **AS-FUS** Extra shelf in front upper storage compartments
- **INFOT-PK** Preparation kit for the mounting of a flat screen TV in cab above the driver's door, includes bracket, electrical and speaker connections

### CAB EXTERIOR

- **EXTL-BAS** Basic exterior finish - - Matt Volvo badges, grey instep, bumper, bumper spoiler, mirror housing and sun visor
- **EXTL-ENH** Enhanced exterior finish - Chrome style Volvo badges, painted instep, bumper, bumper spoiler if specified, mirror housing and

■ Standard Equipment      □ Optional Equipment

For more detailed information about cab and powertrain equipment, please refer to separate specification sheets.

For all possible options and combinations of options please consult your Volvo sales contact who can create a specification to match your requirements using the Volvo Sales Support system (VSS).

The factory reserves the right to modify design and change equipment without previous notification. The specification can vary from country to country.

# MODEL RANGE

FH 16 8x2 Platform - Tag - Rear Air Suspension - Left hand drive only CA required FH

	sun visor		
■ GLAS-TIN	Tinted windows.	□ ANT-CBR	Roof mounted antenna for CB radio, single aerial
■ DGLAS-H	Tempered door glass	□ ACCBR-AP	Front, middle & rear roof mounted accessory brackets
□ DGLAS-L	Laminated door glass	□ ACCBR-F	Front roof mounted accessory bracket
■ LOCK-REM	Central locking with remote control	□ ACCBR-FM	Front & middle roof mounted accessory brackets
□ BUMP-B	Plastic front bumper	□ ACCBR-FR	Front & rear roof mounted accessory brackets
■ BUMP-B2	Steel front bumper	□ ACCBR-M	Middle roof mounted accessory bracket
□ BUMP-HD	Heavy duty front bumper	□ ACCBR-R	Rear roof mounted accessory bracket
□ BUMP-SP	Front bumper spoiler	□ ACCBR-RM	Rear & middle roof mounted accessory brackets
□ GUARD-EH	Engine guard to protect sump and engine hoses	□ STUC-B	Left and right storage compartments under cab
■ BUGNET	Insect screen in front of radiator	□ STUC-L	Left storage compartment under cab
□ CTILTPE-E	Electrically operated hydraulic cab tilt	□ STUC-R	Right storage compartment under cab
■ CTILTPE-M	Manually operated hydraulic cab tilt	□ REFS-TW	White cab conspicuity markings by packed in cab
□ FCABS-A	Front cab suspension - Air	□ REFS-TY	Yellow cab conspicuity markings by packed in cab
■ FCABS-M	Front cab suspension - Mechanical spring		
□ RCABS-A	Rear cab suspension - Air	<b>SUPERSTRUCTURE PREPARATIONS</b>	
■ RCABS-M	Rear cab suspension - Mechanical spring	□ SRWL-PK	Wiring preparation for side & rear work/reverse lamps on side of chassis and a three-position switch, maximum 280W
■ HCC-INEX	Exterior and interior hood catch control	□ SWL-2FW	Two H3 70W white front chassis mounted (LH/RH side) working lamps and a 2-position switch (On/Off)
□ MIRCOMF	Electrically heated and operated main and wide angle mirrors and manually adjusted kerb view mirror on passenger side	□ SWL-2RW	Two H3 70W white rear chassis mounted (LH/RH side) working lamps and a 2-position switch (On/Off)
■ MIRSTD	Electrically heated main and wide angle mirrors and manually adjusted kerb view mirror on passenger side	□ SWL-4W	4 H3 70W white front (2) & rear (2) chassis mtd (LH/RH side) working lamps & 2-pos switch (On/Off)
■ AMIR-F20	Auxiliary front view mirror with a 200mm radius	□ SWL-PK	Wiring preparation for side work/reverse lamps on side of chassis and a three-position switch, maximum 280W
□ SUNV-H	External smoke grey sunvisor	□ WLC-H2W	Two H3/70W white working lamps high mounted on the back of cab
□ AD-ROOF	Roof air deflector	□ WLC-PKCH	Preparation kit (cables and switch) for cab mounted chassis working lamp
□ AD-SIDES	Short cab side air deflector for rigid bodywork	□ WLC-PKH	Preparation kit, cables and switch for high mounted working lamps back of cab
■ HL-BASIC	Halogen H7 head lamps	□ WLC-PKL	Preparation kit, cables and switch for low mounted working lamps back of cab
□ HL-BHID	High intensity Bi-Xenon head lamps	□ WLC-PKLH	Preparation kit - cables and switch for low and high mounted working lamps back of cab.
□ HL-DBL	Bi-Xenon high intensity discharge and dynamic head lamps. Dipped beam follows the road, activated by a signal from the steering system.	■ ECBB-BAS	Body builder electrical centre without body builder module
□ HL-CLEAN	Head lamp cleaner - washer jets	□ ECBB-HIG	Body builder electrical centre with body builder module
□ HLP-ST	Headlamp protection	□ BBCHAS1	One 7-pole connector for Body builder interface
□ HL-ADJ	Headlight adjustment - Switch in cab	□ BBCHAS3	Three 7-pole connectors for Body builder interface
□ DRIVL2	Two spot lamps	□ BEPR-T2	Body builder electrical software preparation for tipper with remote control
□ UDRIVL	Without auxiliary driving lights	□ EXSTER	External steering control, with VDS and bodybuilder module
■ FOGL-WC	Front fog lights	■ TD-LED	Trailer detection with LED sensing
□ CL-STAT	Static corner lights	□ FRFS-B5	Frame rail free space on both sides to give space for crane legs or other equipment.
□ ASL-RF2	Two Hella H11 70W spotlamps in sign box - only available with the basic headlight and no lower driving lights.	□ FBA-BTF	Lower front body attachments for torsionally flexible - platform body
□ BEACOA2F	Two front roof mounted amber beacon rotating warning lamps	□ FBA-BTSF	Lower front body attachments for torsionally semi-flexible body - box or curtainsider
□ BEACOA2R	Two rear roof mounted (on accessory bracket) amber beacon flashing warning LED lamps	□ HBA-FSFB	Holes for body attachments - flexible/semi-flexible body
□ BEACON-P	Roof beacon wire preparation	□ HBA-SB	Holes for body attachments - stiff body
□ BEACONA4	Four roof mounted (2 front/2 rear) amber beacon rotating warning lamps	□ RBA-T2	Lower rear body attachments for helper frame
□ CABPT-R1	Single outlet for roof mounted accessories	□ CRANEPK1	Crane plates mounted to frame, for cranes up to 10 tonne metre capacity
■ CABPT-R2	Twin outlets for roof mounted accessories.	□ CRANEPK2	Crane plates mounted to frame, for cranes up to 20 tonne metre capacity
□ SPOTP-F	Spotlamp preparation in front, max 280W	□ CRANEPK4	Crane plates mounted to frame, for cranes up to 40 tonne metre capacity
□ SPOTP-R	Spotlamp preparation on roof, max 280W	□ AUXL-SPK	Electrical preparation kit - wiring and switch for snow plough lights
□ SPOTP-RF	Spotlamp preparation on cab roof and in cab front, max 2x280W	□ TAILPRE2	Tail lift preparation kit, wireless remote operation
□ ROS-IL2	Preparation kit for illuminated roof sign with switch loose in cab, fit after registration	□ TAILPREP	Taillift preparation kit - cab switch and warning in driver display
□ CSGN-ENG	Engine size and power headboard logo	□ AESW2	Two Body builder bistable electrical switches (marked AUX1 / AUX2)
□ CSGN-GTR	"Globetrotter" headboard logo		
■ HORN-F1S	Single tone Jericho air horn chassis mounted		
□ HORN-R2S	Two roof mounted air horns		
■ Standard Equipment		□ Optional Equipment	

For more detailed information about cab and powertrain equipment, please refer to separate specification sheets.

For all possible options and combinations of options please consult your Volvo sales contact who can create a specification to match your requirements using the Volvo Sales Support system (VSS).

The factory reserves the right to modify design and change equipment without previous notification. The specification can vary from country to country.

# MODEL RANGE

FH 16 8x2 Platform - Tag - Rear Air Suspension - Left hand drive only CA required FH

---

- **AESW2PK** 2 Body builder bistable el.switches (marked AUX1/AUX2) and prep. for 4 more switches
- **AUXSW-4** Wiring for 4 extra switches (from Body builder electrical centre to switch positions)

## DELIVERY SERVICES

- **TGW-4GWL** GSM/GPRS/4G modem, LTE & WLAN for telematics gateway
- **FMS-PK** Fleet Management System gateway

**VOLVO**

Volvo Truck Corporation  
volvotrucks.com