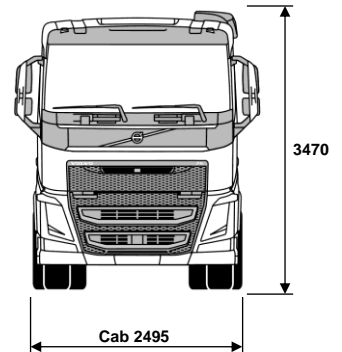
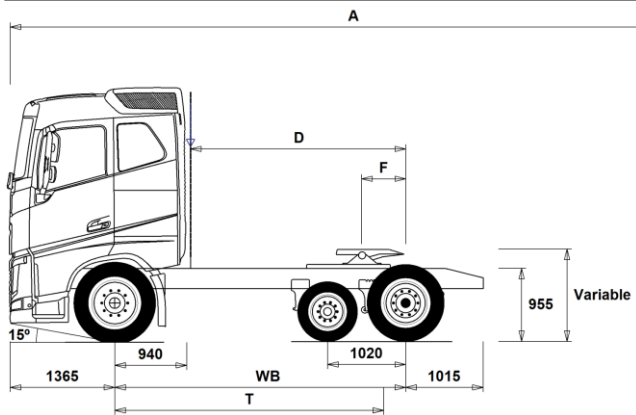


MODEL RANGE



Volvo Trucks. Driving Progress

FH LNG 6x2 Pusher Tractor - Standard or Lite - Contact Regional Business Manager



Chassis Dimensions [mm]

WB Wheelbase	3800	4100
A Overall Chassis Length	8945	8945
D Center of rear axle to back of cab	2810	3110
F Fifth Wheel Position (EC Directive 96/53)	675	675
T Theoretical Wheelbase	3513	3813

Chassis Weights [kg]

Front Axle	5125	5125
Rear Bogie	2905	2930
Kerb Weight	8030	8055

Turning Diameter [mm]

Turning Circle Diameter Kerb to Kerb	12800	13700
Turning Circle Diameter Wall to Wall	14100	15100

Plated Weights [kg]

	Plated	Design
Gross Vehicle Weight	22800	24000
Gross Combination Weight	44000	44000
Front Axle	8000	8000
Rear Bogie	16000	16000

Important Notes

Chassis Dimensions

Cab Height: +305 mm for CAB-HSLP, -283 mm for CAB-LSLP, +450 mm for CAB-XHSL.

D-measure includes a front clearance of 50 mm and for rigid trucks also a subframe of 100 mm.

Height can vary ± 20 mm for leaf and ± 10 mm for air suspension.

All dimensions are for unladen chassis and any tag axles down.

Weight and dimensions are based upon the following tyres:

Front Axle Tyres: 315/80R22.5

Drive Axle Tyres: 315/70R22.5

Trailing/Tractor Axle Tyres: 245/70R17.5

Chassis weight includes oil, water, AdBlue, 0 litres fuel and without driver. Kerb weight can vary $\pm 3\%$.

Turning diameters are theoretically calculated. Tag axle used: PA-FIXED.

Legal weights can differ from country to country.

For more detailed weight information, including optional equipment weights, ask your Volvo sales contact to enter your specification into the Volvo Weight Information system (WIS).

Do NOT use this drawing for bodybuilding. Refer to Volvo Bodybuilder Instructions and chassis assembly drawing FH62TPLA.

MODEL RANGE

FH LNG 6x2 Pusher Tractor - Standard or Lite - Contact Regional Business Manager

CORE COMPONENTS

- **CHH-MED** Chassis height medium - For a specific loading height always check the unique BEP chassis drawing
- **PU-FIXS** Fixed pusher axle
- **RAPD-G4** Rear air suspension, 2 axles - 1 lite pusher / 1 driven
- **RAPD-GR** Rear air suspension, 2 axles - 1 pusher/1 driven
- **FH-HSLP** Globetrotter cab - all steel safety cage design with roof mounted emergency escape hatch. Designed and built to Swedish impact and ECE R29 regulations
- **FH-SLP** Sleeper cab - all steel safety cage design with roof mounted emergency escape hatch. Designed and built to Swedish impact and ECE R29 regulations
- **FH-XHSL** Globetrotter XL cab - all steel safety cage design with roof mounted emergency escape hatch. Designed and built to Swedish impact and ECE R29 regulations
- **EU6SCR** Emission level - Euro 6
- **G13C420** G13C420 Liquid Natural Gas engine developing 420hp at 1400-1800rpm. Peak torque 2100Nm at 1000 -1400rpm.
- **G13C460** G13C460 Liquid Natural Gas engine developing 460hp at 1700-1800rpm. Peak torque 2300Nm at 1100 -1300rpm.
- **EBR-EPGC** Exhaust pressure governor for I shift gearbox
- **EBR-VEB+** Volvo engine brake + and exhaust pressure governor, enhanced performance from additional exhaust rocker control. Retardation 375kW
- **AT2612F** AT2612F 12-speed "I-shift" automated mechanical gearbox suitable for gross train weights up to 60tonne only refer to sales engineering when used in conjunction with a PTO
- **ATO2612F** ATO2612F 12-speed "I-shift" overdrive automated mechanical gearbox suitable for gross train weights up to 60tonne refer to sales engineering when used in conjunction with a PTO
- **RSH1370F** RSH1370F hub reduction rear axle with differential lock - design GCW 70 tonne
- **RSS1344E** RSS1344E single reduction rear axle with differential lock - design GCW 44tonne
- **RSS1352A** RSS1352A single reduction 13 tonne rear axle with differential lock - design GCW 52 tonne
- **RSS1356** RSS1356 single reduction rear axle with differential lock - design GCW 56 tonne
- **RSS1370A** RSS1370A single reduction 13 tonne rear axle with differential lock - design GCW 70 tonne
- **RSS1370B** RSS1370B single reduction 13 tonne rear axle with differential lock - design GCW 70 tonne

PACKAGES

- **DRIVE** Cab Package: Drive
- **DRIVE+** Cab Package: Drive +
- **DRIVE++** Cab Package: Drive ++
- **DRIVE5** Cab Package: Drive
- **DRIVE5+** Cab Package: Drive +
- **DRIVE5++** Cab Package: Drive ++
- **1BED** Living package with single bed:
- **1BED+** Living package with single bed plus:
- **1LIVIN++** Sleeper Package: Living ++ package with single bunk
- **1LIVING** Sleeper Package: Living package with single bunk
- **1LIVING+** Sleeper Package: Living + package with single bunk
- **2BED** Living package with two beds:
- **2BED+** Living package with two beds plus:
- **2LIVIN++** Sleeper Package: Living ++ package with two bunks
- **2LIVING** Sleeper Package: Living package with two bunks
- **2LIVING+** Sleeper Package: Living + package with two bunks
- **AUDHIG** High Power Audio system: RDS radio with CD player - also playing MP3/WMA files from CD -, with integrated bluetooth phone and USB/Line inputs. FM/AM antenna, speakers in

- **MEDIA** dashboard, doors, and sleeping compartment. AM/FM Bluetooth radio without CD player. USB and Aux line inputs. Speakers in dashboard, doors, and sleeping compartment. 7" touch screen with personal apps.
- **MEDIADF** AM/FM Bluetooth radio without CD player. USB and Aux line inputs. Speakers in dashboard, doors, and sleeping compartment. 7" touch screen with personal and professional apps. Dynafleet vehicle on-board data display with office internet support.
- **MEDIANAV** AM/FM Bluetooth radio without CD player. USB and Aux line inputs. Speakers in dashboard, doors, and sleeping compartment. 7" touch screen with personal and professional apps. Truck based satellite navigation (live updates not included)
- **MEDIANDF** AM/FM Bluetooth radio without CD player. USB and Aux line inputs. Speakers in dashboard, doors, and sleeping compartment. 7" touch screen with personal and professional apps. Truck based satellite navigation (live updates not included) Dynafleet vehicle on-board data display with office internet support.
- **VISI15** Visibility Package
- **VISI15+** Visibility Plus Package
- **VISI5** Visibility Package
- **VISI5+** Visibility + Package
- **VISI5++** Visibility ++ Package
- **VISIC15** Visibility Package
- **VISIC5** Visibility Package
- **VISIC5+** Visibility + Package
- **ASAF15** Active Safety Package
- **SAFE-VE** Active Safety Package
- **SAFE-VE+** Active Safety + Package
- CHASSIS**
- **FST-AIR** Front suspension type - air
- **FST-PAR** Front suspension type - 2 leaf parabolic springs
- **FSL5-BAS** Front suspension levelling - basic stroke
- **FSL5-HI** Front suspension levelling - high stroke for demount operations - check with bodybuilder
- **FAL7.5** Front axle design capacity 7.5 tonnes
- **FAL8.0** Front axle design capacity 8.0 tonnes - Ensure that you have checked the tyre load index
- **FAL8.5** Front axle design capacity 8.5 tonnes
- **FAL9.0** Front axle design capacity 9.0 tonnes - Ensure that you have checked the tyre load index
- **FSTAB** Front anti-roll bar
- **FSTAB2** Front anti-roll bar medium stiffness
- **FSTAB3** Front stiff anti-roll bar
- **RAL16** Rear bogie design capacity 16 tonnes
- **RSTAB1** Rear anti-roll bar
- **RSTAB3** Rear stiff anti-roll bar
- **RALIM115** Rear axle load limiter, 11.5 tonnes
- **ASF-DL1** Air suspension with 1 driving level
- **ACTST-TO** Volvo Dynamic Steering (VDS) with with extra electronic pump and torque overlay
- **ASFE-BAS** Active steering feature - Basic - Volvo Dynamic Steering only
- **ASFE-OG** Active steering feature - Volvo Dynamic Steering with stability assist - oversteer
- **ASFE-PO** Active steering feature - Volvo Dynamic Steering with personal settings and stability assist
- **ASFE-PS** Active steering feature - Volvo Dynamic Steering with personal settings
- **PSP-VAR** Power steering pump with variable displacement
- **EBS-MED** EBS medium package including "hill" hold function
- **FRAME266** Frame rail section external height 266 mm

- Standard Equipment
- Optional Equipment

For more detailed information about cab and powertrain equipment, please refer to separate specification sheets.

For all possible options and combinations of options please consult your Volvo sales contact who can create a specification to match your requirements using the Volvo Sales Support system (VSS).

The factory reserves the right to modify design and change equipment without previous notification. The specification can vary from country to country.

MODEL RANGE

FH LNG 6x2 Pusher Tractor - Standard or Lite - Contact Regional Business Manager

- FRAME300** Frame rail section external height 300 mm
 - FST6565** Frame thickness - web and flange 6.5mm
 - FST7070** Frame thickness - web and flange 7.0mm
 - FST8080** Frame thickness - web and flange 8.0mm
 - FIL-EEEB** Inner liner from end of engine to end of bogie
 - FIL-TXEB** Inner liner from gearbox member to end of bogie
 - BBOX-EF** Battery box located in the end of frame
 - 2BAT210B** 2 x 210 Ah capacity Gel batteries
 - 2BATT225** 2 x 225 Ah capacity batteries
 - BATTAMP** Battery voltage and ampere gauge
 - BATTIND** Battery charge indication
 - ADR1** ADR package for transportation of dangerous goods on road (Note does NOT include safe loading pass package if required this is quoted separately)
 - ADR2** ADR package for transportation of dangerous goods on road (Note does NOT include safe loading pass package if required this is quoted separately)
 - MSWI-A** Main switch - ADR switch circuit shut down
 - MSWI-C** Main switch - Chassis mounted toggle switch by battery box
 - MSWI-R** Main switch - Key fob operated remote controlled
 - R170A71** Right aluminium 710mm 170litre (165l usable) D-shaped fuel tank
Min volume 170l
Max volume 170l
 - ADTP-BC** AdBlue tank behind/under cab on right hand side
 - ADB065** AdBlue tank usable volume 65 litres - under cab
 - FCAP-L** Locking fuel filler cap
 - FUFF-AS** Fuel filling anti-spillage device
 - FUFF-ATS** Fuel filling anti-theft and anti-spillage devices
 - LGAS115** Left mounted 115 kilogram gas tank
 - LGAS155** Left mounted 155 kilogram gas tank
 - ESH-REAR** Horizontal silencer, rear exhaust outlet
 - ESH-RIGH** Horizontal silencer, right exhaust outlet
 - WHC-FOL2** Two foldable wheel chocks
 - WHCP-T** Transport mounted wheel chock(s) stored in cab outer luggage locker
 - CHAIN-S** Snow chains
 - HOOK-SC** Snow chain hooks
 - TOWF-NO1** One front towing device
 - TOWF-NO2** Two front towing devices
 - TOWR-ONE** Towing hitch attached to rear crossmember
 - TREL15** Single 15 pole electrical trailer connector - ADR certified
 - TREL7** 7 pole - 24N trailer electrical suzie
 - TREL7-7** 24N and 24S trailer electrical suzies
 - TBC-DUO** Duomatic type air line connectors
 - TBC-EC** Palm coupling type air line connectors
 - TBC-GBR** 'C' and 'CA' type air line connectors
 - TRBR-HCF** Full pressure hand controlled trailer brake
 - TRBR-STA** Stationary trailer brake control
 - TRB-STRE** Stretch Brake - Automatic low speed trailer brake activation to avoid jack-knifing and improve steerability
 - RFEND-B** Three piece EC approved rear mud wings and spray flaps
 - RFH-BAS** Basic rear wing height
 - RFH-HIG** High rear wing height - higher wing tops
 - RFH-LOW** Lower rear wing height - shallower wing tops
 - ATANK-AL** Aluminium air tanks
 - ATANK-ST** Steel air tanks
 - TL-LED** Rear lights LED
 - BLIGHT-E** Emergency brake light
- ### WHEELS & TYRES
- RT-AL** Alcoa brushed aluminium rims with standard holes for long stud fixing on all axles
 - RT-ALDP** Alcoa Dura-Bright EVO aluminium rims with standard holes long stud fixing on all axles, requires cleaning with a ph neutral solution - washing up liquid.
 - RT-ALDPD** Alcoa Dura-Bright EVO aluminium rims with countersunk holes for short stud fixing on all axles, requires cleaning with a ph neutral solution - washing up liquid.
 - RT-ALDU** Alcoa brushed aluminium rims with countersunk holes for short stud fixing on all axles
 - RT-STEEL** Steel rims on all axles
 - WCAP** Aerodynamic hub caps
 - BRREC001** Bridgestone ECOPIA H - Energy rating C
 - BRREC002** Bridgestone Ecopia H 002 Evo - Tyre recommendation 2
 - COREC001** Continental ECOPLUS HS3 XL/HD3 - Energy rating B or C depending on size
 - COREC002** Continental ECOPLUS HS3/HD3 - Energy rating B or C depending on size
 - COREC003** Continental Efficient Pro S/D - Fuel Tyre Recommendation 3 Reduced mileage compared to Conti EcoPlus long haul pattern please consider when selecting these tyres.
 - GYREC001** Goodyear FUELMAX S/HL/D - Energy rating B or C depending on size
 - GYREC002** Goodyear FUELMAX S/D - Energy rating B or C depending on size
 - GYREC004** Goodyear FUELMAX S - Energy rating B depending on size
 - HAREC001** Hankook AL10+ E-Cube Max Long Haul Tyre - Energy rating B
 - HAREC002** Hankook AL10+ E-Cube Long Haul Tyre - Energy rating B with wide single
 - MIREC001** Michelin XFA2/X-LINE Energy - Fuel tyre Recommendation 1
 - MIREC002** Michelin XZA2/X-LINE Energy - Fuel tyre Recommendation 2
 - MIREC003** Michelin X-LINE Energy - Fuel tyre Recommendation 3
 - MIREC004** Michelin X Line Energy F/D2 - Energy rating A
 - PIREC001** Pirelli FH:01 Proway - Long Haul Tyre - Energy rating B
 - PIREC002** Pirelli FH:01 II Long Haul Tyre - Energy rating B with wide single
 - JACK-12T** 12 tonne bottle jack
 - JACK-15T** 15 tonne bottle jack
 - JACK-20T** 20 tonne bottle jack
 - TOOL-BAS** Basic Toolkit
 - TOOLKIT** Complete tool kit
 - INFLAHOS** Tyre inflation hose
 - GAUGE-TP** Tyre pressure gauge
- ### DRIVELINE EQUIPMENT
- TRAP-HD** Reinforced gearbox application
 - TP-CON** Construction Package
 - TP-DIST** Distribution Package
 - TP-LONG** Long Haul Package
 - AMSO-AUT** Enhanced I-shift software with manual shift available in auto mode and kickdown facility on accelerator pedal
 - AVO-ENH** Enhanced software for off road driveability and starting
 - APF-ENH** I-shift enhanced PTO functions
 - RET-TH** Gearbox mounted retarder
 - TC-MAO** Basic transmission oil cooler - air to oil
 - TC-MAOH2** Extra high performance transmission oil cooler - air to oil with front mounted radiator
 - 2COM1100** Two cylinder, air compressor, 1100 litres per minute
 - 2COMP900** Two cylinder, air compressor, 900 litres per minute
 - CLU-AIRC** Clutchable air compressor
 - AIRIN-FR** Front air intake fitted to the underside of cab engine tunnel
 - AIRIN-HI** Roof mounted air intake behind cab on left hand side
 - AIRIN-LO** Low level air intake behind cab on left hand side

Standard Equipment Optional Equipment

For more detailed information about cab and powertrain equipment, please refer to separate specification sheets.

For all possible options and combinations of options please consult your Volvo sales contact who can create a specification to match your requirements using the Volvo Sales Support system (VSS).

The factory reserves the right to modify design and change equipment without previous notification. The specification can vary from country to country.

MODEL RANGE

FH LNG 6x2 Pusher Tractor - Standard or Lite - Contact Regional Business Manager

<input type="checkbox"/> ACL1ST-S	Two stage air filter	<input type="checkbox"/> ARSL	Additional road speed limit - switch in dashboard
<input checked="" type="checkbox"/> 24AL110B	110 amp alternator	<input type="checkbox"/> CRUIS-E	Eco cruise control (with eco-roll and I-cruise, controls in steering wheel)
<input type="checkbox"/> 24AL120B	120 amp alternator	<input checked="" type="checkbox"/> CRUISEC	Cruise control, standard
<input type="checkbox"/> 24AL150B	150 amp alternator	<input checked="" type="checkbox"/> ESP-BAS1	Electronic Stability Control
<input checked="" type="checkbox"/> CCV-OX	Closed crankcase ventilation for cold markets	<input type="checkbox"/> ESPC-RO	ESP (Electronic Stability Program) functionality control - Reduced / Off
<input type="checkbox"/> PRIM-MAN	Manual priming pump	<input type="checkbox"/> HWSS-ACB	Adaptive cruise control ACC with forward collision warning and AEBs advanced emergency brake system
<input type="checkbox"/> FUEFE2LW	Large engine mounted dual fuel filter with water separator	<input checked="" type="checkbox"/> HWSS-FCB	Forward collision warning with AEBs advanced emergency brake system
<input checked="" type="checkbox"/> FUEFE2SW	Small engine mounted dual fuel filter with water separator	<input checked="" type="checkbox"/> LSS-DW	Lane departure-warning system
<input checked="" type="checkbox"/> EST-AID	Air inlet manifold starting heater element	<input type="checkbox"/> LCS	Lane change support
<input type="checkbox"/> 220EBH15	220V/1.5Kw electric engine block heater	<input type="checkbox"/> DAS-W	Driver Alert Support system
<input type="checkbox"/> PTER-DIN	Rear engine mounted PTO with DIN5462 (female) splined shaft for a close coupled pump. Models with 3 steering axles will use this to drive the steering pump (AUXPSP)	<input type="checkbox"/> RSENS-W	Rain sensing windscreen wipers
<input type="checkbox"/> PTR-D	Gearbox PTO for plug-in pump, 0.71xeng speed	<input type="checkbox"/> CU-ECC	Electrically controlled air conditioning with sun sensor
<input type="checkbox"/> PTR-DH	Gearbox driven high speed PTO for one plug-in hydraulic pump	<input type="checkbox"/> CU-ECC2	Electrically controlled air conditioning with sun sensor, mist sensor, air quality sensor and carbon filter
<input type="checkbox"/> PTR-DM	Gearbox driven medium speed PTO for one plug-in hydraulic pump	<input checked="" type="checkbox"/> CU-MCC	Climate unit with manual controlled air conditioning
<input type="checkbox"/> PTR-F	Gearbox driven PTO with rear flange connection	<input checked="" type="checkbox"/> IMMOBIL	Thattham H2 approved immobiliser
<input type="checkbox"/> PTR-FH	Gearbox driven high speed PTO with SAE drive flange	<input type="checkbox"/> ALARM-B	Thattham H1 approved vehicle alarm - Cab only
<input type="checkbox"/> PTR-FL	Gearbox driven low speed PTO with SAE drive flange	<input type="checkbox"/> ALARM-E	Enhanced vehicle alarm - Thattham H1 approved - Cab plus external sensor for body/trailer
<input type="checkbox"/> PTRD-D	Gearbox driven HIGH SPEED PTO for two plug-in hydraulic pumps	<input type="checkbox"/> ALCOLOCK	Alcolock
<input type="checkbox"/> PTRD-D1	PTRD-D1 Gearbox driven HIGH SPEED PTO (1 SAE flange & 1 plug-in hydraulic pump)	<input type="checkbox"/> AMPL400	Radio amplifier, 8 channel, 400 W with subwoofer Located in right hand external storage box
<input type="checkbox"/> PTRD-D2	Gearbox driven HIGH SPEED PTO (2 SAE flanges & 1 plug-in hyd pump)	<input type="checkbox"/> BUPMON	Back up monitor with built in 7" screen on dash and one colour camera supplied loose for fitment by bodybuilder. Can accommodate up to 4 cameras for TfL Safe Scheme, CLOCS and FORS.
<input type="checkbox"/> PTRD-F	PTO with 1 DIN + 1 flange connection rear, manual gearbox	<input type="checkbox"/> PHONE-PK	Telephone preparation kit (antenna, antenna attachm. cable incl.)
<input type="checkbox"/> HPG-F101	Parker F1-101 gearbox mounted, fixed displacement, single flow, hydraulic pump	<input checked="" type="checkbox"/> WLIFT-AD	Electrical window lift, automatic up/down driver side
<input type="checkbox"/> HPG-F41	Parker F1-41 gearbox mounted, fixed displacement, single flow, hydraulic pump	<input type="checkbox"/> ISUNS-BS	Side interior sun visor on both sides
<input type="checkbox"/> HPG-F51	Parker F1-51 gearbox mounted, fixed displacement, single flow, hydraulic pump	<input checked="" type="checkbox"/> ISUNS-DS	Driver's side interior sun visor
<input type="checkbox"/> HPG-F61	Parker F1-61 gearbox mounted, fixed displacement, single flow, hydraulic pump	<input type="checkbox"/> ISUNF-RE	Electrically operated textile interior sun blind
<input type="checkbox"/> HPG-F81	Parker F1-81 gearbox mounted, fixed displacement, single flow, hydraulic pump	<input checked="" type="checkbox"/> ISUNF-RM	Manually operated textile interior sun blind
<input type="checkbox"/> EIDLESD	Engine idle shut down	<input checked="" type="checkbox"/> CSPL-BX	Lower center dash open storage box
<input type="checkbox"/> DTRI-PER	Dashboard in darker peregrine greyish brown. Steering wheel grey and door panels in light beige for FH and black for FH16.	<input type="checkbox"/> CSPL-BXD	Lower centre dash drawer
<input type="checkbox"/> DTRI-SRA	Dashboard and steering wheel cover in light beige skylark. Door panels in light beige for FH and black for FH16.	<input type="checkbox"/> CSPU-SDR	One open storage and one drawer - behind push open lid - in upper part of the centre dash panel
<input checked="" type="checkbox"/> STWPOS-R	RIGHT HAND DRIVE	<input checked="" type="checkbox"/> CSPU-SS	Two open storages - behind push open lid in upper part of the centre dash panel
<input type="checkbox"/> STWM-LE	Leather steering wheel	<input type="checkbox"/> ADFS	Two extra DIN slots in front shelf - can be fitted with card or drawer available as an accessory
<input type="checkbox"/> STGW-AD2	Adjustable steering wheel with neck tilt	<input checked="" type="checkbox"/> BUPALARM	Reverse alarm
<input checked="" type="checkbox"/> STGW-ADJ	Adjustable steering wheel	<input type="checkbox"/> RTOLL-PK	Road toll PREPARATION kit for trucks operating with "Toll Collect" in Germany
<input checked="" type="checkbox"/> AIRBAG	SRS Driver's air bag	<input type="checkbox"/> LOADIND	Load indicator with central dashboard display
<input checked="" type="checkbox"/> DRC-AMII	DPF Regeneration control switch - for manual and switching off regeneration	<input type="checkbox"/> REMC-MF	Multi-functio wireless remote control
<input type="checkbox"/> 1DAYDIG	Continental VDO DTCO 3.0 digital tachograph This tachograph can ONLY offer remote download if the option of Dynafleet or an FMS gateway has been specified with this order.	<input type="checkbox"/> FIREXT3S	3kg fire extinguisher mounted on seat base
<input type="checkbox"/> 1DAYDIGP	Continental VDO DTCO 3.0 digital tachograph For vehicles with long lead time - this includes prep kit for the retrofit of DTCO 4.0 tachograph. For updating to new legal demand for trick registration from 15th June 2019. This tachograph can ONLY offer remote download if the option of Dynafleet or an FMS gateway has been specified with this order.	<input type="checkbox"/> WARNVEST	High visibility warning vest - no sleeves
		<input type="checkbox"/> AIDKIT	First aid kit
		<input type="checkbox"/> AIDKIT1B	First aid kit
		<input type="checkbox"/> WARNLAMP	Portable warning lamp
		<input type="checkbox"/> LAMP-IN	Inspection lamp
		<input type="checkbox"/> BULBKIT	Bulb and fuse kit

Standard Equipment

Optional Equipment

For more detailed information about cab and powertrain equipment, please refer to separate specification sheets.

For all possible options and combinations of options please consult your Volvo sales contact who can create a specification to match your requirements using the Volvo Sales Support system (VSS).

The factory reserves the right to modify design and change equipment without previous notification. The specification can vary from country to country.

MODEL RANGE

FH LNG 6x2 Pusher Tractor - Standard or Lite - Contact Regional Business Manager

■ WRITEPAD	Writing pad	□ MATL-SO	100kg - 16 stone Lower flexizone mattress - soft, pocket springs up to 85kg - 13.5 stone
□ UPHTRIO1	Interior trim: Seats: Black embossed textile insert, black vinyl bolster with red vinyl side insert Cab walls: In matching grey vinyl	□ OLMAT-BA	35mm mattress overlay protector
□ UPHTRIO2	Interior trim: Seats: Black striped textile insert, black smooth textile bolster & red vinyl side insert Cab walls: Textile with matching grey nuances	□ OLMAT-PR	50mm premium mattress overlay protector
□ UPHTRIO3	Interior trim: Seats: Grey/beige soft striped textile insert, grey/beige smooth textile bolster Cab walls: soft textile in matching grey and beige colours	□ TBK60AD	Height adjustable foldable top bunk 600 x 1900mm
□ UPHTRIO5	Interior trim: Seats: Light grey leather insert and black leather bolster Cab walls: In matching grey vinyl	□ TBK60F	Fixed foldable top bunk 600 x 1900mm
□ UPHTRIO6	Interior trim: Seats: Light grey leather insert and black leather bolster Cab walls: soft textiles in matching grey nuances	□ TBK70AD	Height adjustable foldable top bunk 700 x 1900mm
□ UPHTRIO7	Interior trim: Seat: Light grey leather insert black edging Cab walls: soft textiles in matching grey, and beige	□ TBK70F	Fixed foldable top bunk 700 x 1900mm
■ DST-CF4	Driver seat, comfort, suspended, belt in seat	□ PH-CAB2	1.8kW Air to air night heater
□ DST-CF5	Driver seat, comfort, suspended, belt in seat, electrically heated	□ PH-ENGCA	Engine and cab night heater
□ DST-CF6	Driver seat, comfort, suspended, belt in seat, electrically heated, ventilated	□ CPC-ADV	I-ParkCool - Advanced cab parking cooler with 120V DC electrical compressor
□ DST-LUX1	Deluxe suspended drivers seat features: electrical adjustment with memory function, seatbelt in seat with heated & ventilated cushions	■ SLCP-BAS	Basic sleeper control panel - includes interior light, parking heater, roof hatch and door lock
□ DST-LUX2	Deluxe suspended drivers seat features: electrical adjustment with memory function, seatbelt in seat and heated cushions	□ SLCP-LUX	Luxury sleeper control panel - includes interior light, parking heater, roof hatch, door lock, alarm clock, window and radio
□ SBD-RED	Red seat belts	□ SAFE	Safe box for driver's personal items
□ SBPRE-DS	Driver seat belt pretensioner	□ RUS-BAS	Rear cab upper storage 154 litres - 300 mm high
□ PST-BAS1	Passenger seat - Fixed non suspended fold up with seatbelt mounted in cab	□ RUS-HIG	Rear cab upper storage 245 litres - 440 mm high
□ PST-BSL1	Passenger seat - Sliding non suspended fold up with seatbelt mounted in cab	□ TABLE	Folding and height adjustable table - on lower bunk
□ PST-CF4	Passenger seat - Comfort suspended with seatbelt mounted in seat	□ REFR-RUS	Fridge: 28 litre rear upper wall mounted with dividers
□ PST-CF5	Passenger seat - Comfort suspended & heated with seatbelt mounted in seat	□ REFRIG	Fridge: 33 litre under bunk mounted with freezer dividers
□ PST-RX1	Passenger seat - Fixed non suspended, features: 90 degree rotation and tilt function with seatbelt mounted in cab	□ MICRO-PK	Preparation kit for microwave oven (wiring)
□ PST-RX2	Passenger seat - Fixed non suspended, features: 90 degree rotation, tilt and heated functions with seatbelt mounted in cab	□ BOTH-D	One bottle holder under dashboard centre section
□ PST-STD2	Passenger seat - Fixed non suspended with seatbelt mounted in cab	□ BOTH-DL	Two bottle holders, one under dashboard centre section and one mounted to the under bunk drawer
■ PST-STD4	Passenger seat - Standard suspended with seatbelt mounted in cab	□ BOTH-L	One bottle holder mounted to the under bunk drawer
□ SBPRE-PS	Passenger seat belt pretensioner	□ COFMA-PK	Coffee maker, preparation kit.
□ ARMRE-BB	Two armrests on both driver and passenger seat.	■ INLI-BAS	Interior white LED lights - basic
□ ARMRE-DB	Two armrests, on driver seat only	□ INLI-NL	Interior white and red night LED light with no dimmer
□ ARMRE-PB	Two armrests, on passenger seat only	□ INLI-NLD	Interior white and red night LED light with dimmer
□ ARU-BAS	Vinyl upholstered armrest	□ ARL-FLEX	Two flexible reading lamps (snake lamps)
□ ARU-LEA	Leather upholstered armrest	■ RH-EE	Without roof hatch - Tinted glass emergency exit ONLY
■ GRABHI-B	Steel instep cab grab handle	□ RH-ETR	Glass roof & escape hatch - Electrically operated, tinted glass with rear opening
□ GRABHI-L	Leather covered instep cab grab handle	□ RH-MTR	Glass roof & escape hatch - Manually operated, tinted glass with rear opening
■ FMAT-RUB	Rubber floor mats	□ URH	Without roof hatch
□ FMAT-TX2	Textile and rubber floor mats	□ SWIND-BS	Extra side window on both sides behind "B" pillar
■ LBK80F	Lower fixed bunk with wide middle section 815 in the centre x 2000 mm	■ VANMIR	Vanity mirror in front shelf
□ LBK80FRE	Lower electrically operated recline bunk with wide middle section 815 in the centre x 2000 mm	□ AS-FUS	Extra shelf in front upper storage compartments
□ LBK80FRM	Lower manually operated recline bunk with wide middle section 815 in the centre x 2000 mm	□ INFOT-PK	Preparation kit for the mounting of a flat screen TV in cab above the driver's door, includes bracket, electrical and speaker connections
□ MATL-FI	Firm lower bunk pocket sprung mattress	CAB EXTERIOR	
■ MATL-SF	Lower flexizone mattress - semi-firm, pocket springs up to	■ EXTL-BAS	Basic exterior finish - - Matt Volvo badges, grey instep, bumper, bumper spoiler, mirror housing and sun visor
		□ EXTL-ENH	Enhanced exterior finish - Chrome style Volvo badges, painted instep, bumper, bumper spoiler if specified, mirror housing and sun visor
		■ GLAS-TIN	Tinted windows.
		■ DGLAS-H	Tempered door glass
		□ DGLAS-L	Laminated door glass
		■ LOCK-REM	Central locking with remote control
		■ BUMP-B	Plastic front bumper
		□ BUMP-B2	Steel front bumper
		□ BUMP-HD	Heavy duty front bumper
		□ BUMP-SP	Front bumper spoiler
		□ GUARD-EH	Engine guard to protect sump and engine hoses

■ Standard Equipment

□ Optional Equipment

For more detailed information about cab and powertrain equipment, please refer to separate specification sheets.

For all possible options and combinations of options please consult your Volvo sales contact who can create a specification to match your requirements using the Volvo Sales Support system (VSS).

The factory reserves the right to modify design and change equipment without previous notification. The specification can vary from country to country.

MODEL RANGE

FH LNG 6x2 Pusher Tractor - Standard or Lite - Contact Regional Business Manager

- **BUGNET** Insect screen in front of radiator
 - **CTILTP-E** Electrically operated hydraulic cab tilt
 - **CTILTP-M** Manually operated hydraulic cab tilt
 - **FCABS-A** Front cab suspension - Air
 - **FCABS-M** Front cab suspension - Mechanical spring
 - **RCABS-A** Rear cab suspension - Air
 - **RCABS-M** Rear cab suspension - Mechanical spring
 - **HCC-INEX** Exterior and interior hood catch control
 - **MIRCFPCS** Electrically heated and operated main and wide angle mirrors with manually adjusted kerb view mirror on passenger side and position camera in offside mirror arm.
 - **MIRCOMF** Electrically heated and operated main and wide angle mirrors and manually adjusted kerb view mirror on passenger side
 - **MIRSTD** Electrically heated main and wide angle mirrors and manually adjusted kerb view mirror on passenger side
 - **AMIR-F20** Auxiliary front view mirror with a 200mm radius
 - **SUNV-H** External smoke grey sunvisor
 - **AD-ROOF** Roof air deflector
 - **AD-SIDEL** Side air deflector extension panels
 - **HL-BASIC** Halogen H7 head lamps
 - **HL-BHID** High intensity Bi-Xenon head lamps
 - **HL-DBL** Bi-Xenon high intensity discharge and dynamic head lamps. Dipped beam follows the road, activated by a signal from the steering system.
 - **HL-CLEAN** Head lamp cleaner - washer jets
 - **HLP-ST** Headlamp protection
 - **HL-ADJ** Headlight adjustment - Switch in cab
 - **DRIVL2** Two spot lamps
 - **UDRIVL** Without auxiliary driving lights
 - **FOGL-WC** Front fog lights
 - **CL-STAT** Static corner lights
 - **ASL-RF2** Two Hella H11 70W spotlamps in sign box - only available with the basic headlight and no lower driving lights.
 - **BEACOA2F** Two front roof mounted amber beacon rotating warning lamps
 - **BEACOA2R** Two rear roof mounted (on accessory bracket) amber beacon flashing warning LED lamps
 - **BEACON-P** Roof beacon wire preparation
 - **BEACONA4** Four roof mounted (2 front/2 rear) amber beacon rotating warning lamps
 - **CABPT-R1** Single outlet for roof mounted accessories
 - **CABPT-R2** Twin outlets for roof mounted accessories.
 - **SPOTP-F** Spotlamp preparation in front, max 280W
 - **SPOTP-R** Spotlamp preparation on roof, max 280W
 - **SPOTP-RF** Spotlamp preparation on cab roof and in cab front, max 2x280W
 - **ROS-IL2** Preparation kit for illuminated roof sign with switch loose in cab, fit after registration
 - **CSGN-GTR** "Globetrotter" headboard logo
 - **HORN-F1S** Single tone Jericho air horn chassis mounted
 - **HORN-R2S** Two roof mounted air horns
 - **ANT-CBR** Roof mounted antenna for CB radio, single aerial
 - **ACCBR-AP** Front, middle & rear roof mounted accessory brackets
 - **ACCBR-F** Front roof mounted accessory bracket
 - **ACCBR-FM** Front & middle roof mounted accessory brackets
 - **ACCBR-FR** Front & rear roof mounted accessory brackets
 - **ACCBR-M** Middle roof mounted accessory bracket
 - **ACCBR-R** Rear roof mounted accessory bracket
 - **ACCBR-RM** Rear & middle roof mounted accessory brackets
 - **STUC-L** Left storage compartment under cab
 - **REFS-TW** White cab conspicuity markings by packed in cab
 - **REFS-TY** Yellow cab conspicuity markings by packed in cab
- ### SUPERSTRUCTURE PREPARATIONS
- **5WM-ASL** 4mm high 'L' profiles for air actuated sliding 5th wheel
 - **5WM-ASM** 50mm high 'L' profiles for air actuated sliding 5th wheel
 - **5WM-ISOL** 5th wheel subframe 16mm high above chassis frame
 - **5WM-ISOM** 5th wheel subframe 60mm high above chassis frame L profiles 50mm with 10mm thick plate
 - **5WM-LPRO** 5th wheel attached direct to frame with inverted 'L'-profiles
 - **5WM-MASM** 50mm high 'L' profiles for manual sliding fifth wheel
 - **5WH150** Fifth wheel leg-height 150 mm
 - **5WH160** Fifth wheel leg-height 160 mm
 - **5WH175** Fifth wheel leg height 175mm
 - **5WH185** Fifth wheel leg-height 185 mm
 - **5WH195** Fifth wheel leg-height 195mm
 - **5WH200** Fifth wheel leg-height 200 mm
 - **5WH205** Fifth wheel leg-height 205 mm
 - **5WH210** Fifth wheel leg-height 210 mm
 - **5WH220** Fifth wheel leg-height 220mm
 - **5WH230** Fifth wheel leg-height 230 mm
 - **5WT-FO14** Fontaine 150SP2 pressed steel fifth wheel
 - **5WT-FO15** Fontaine 3000 lightweight cast fifth wheel with 150SF air operated slider - for moderate duty off road. Specified fifth wheel position always gives rearmost position.
 - **5WT-JO10** Jost JSK 36 pressed fifth wheel
 - **5WT-JO8** Jost JSK 37 cast fifth wheel
 - **5WT-JO9** Jost JSK 42 cast fixed fifth wheel
 - **5WT-SH** SAF-Holland/+GF+ SK-S 36.20 cast fixed fifth wheel
 - **5WLM-B** Basic fifth wheel maintenance standard top plate
 - **5WLM-L** Low maintenance fifthwheel with nylon top plate
 - **5WL-S1** Fifth wheel lubrication - locking mechanism and top plate
 - **5WL-S2** Fifth wheel lubrication - locking mechanism
 - **TCIND** Trailer connection indication with sensors for height, kingpin and coupling lock
 - **RDECK** Catwalk & step
 - **RDECK-M** Rear catwalk 760mm
 - **SRWL-PK** Wiring preparation for side & rear work/reverse lamps on side of chassis and a three-position switch, maximum 280W
 - **SWL-2RW** Two H3 70W white rear chassis mounted (LH/RH side) working lamps and a 2-position switch (On/Off)
 - **SWL-PK** Wiring preparation for side work/reverse lamps on side of chassis and a three-position switch, maximum 280W
 - **WL-TA1W** White coupling light
 - **WLC-H2W** Two H3/70W white working lamps high mounted on the back of cab
 - **WLC-PKH** Preparation kit, cables and switch for high mounted working lamps back of cab
 - **WLC-PKL** Preparation kit, cables and switch for low mounted working lamps back of cab
 - **WLC-PKLH** Preparation kit - cables and switch for low and high mounted working lamps back of cab.
 - **ECBB-BAS** Body builder electrical centre without body builder module
 - **ECBB-HIG** Body builder electrical centre with body builder module
 - **BBCHAS1** One 7-pole connector for Body builder interface
 - **BBCHAS3** Three 7-pole connectors for Body builder interface
 - **BEPR-T2** Body builder electrical software preparation for tipper with remote control
 - **EXSTER** External steering control, with VDS and bodybuilder module
 - **TD-LED** Trailer detection with LED sensing
 - **AUXL-SPK** Electrical preparation kit - wiring and switch for snow plough lights
 - **TAILPRE2** Tail lift preparation kit, wireless remote operation
 - **TAILPREP** Taillift preparation kit - cab switch and warning in driver display
 - **AESW2** Two Body builder bistable electrical switches (marked AUX1 /

■ Standard Equipment

□ Optional Equipment

For more detailed information about cab and powertrain equipment, please refer to separate specification sheets.

For all possible options and combinations of options please consult your Volvo sales contact who can create a specification to match your requirements using the Volvo Sales Support system (VSS).

The factory reserves the right to modify design and change equipment without previous notification. The specification can vary from country to country.

MODEL RANGE

FH LNG 6x2 Pusher Tractor - Standard or Lite - Contact Regional Business Manager

- **AESW2PK** AUX2)
2 Body builder bistable el.switches (marked AUX1/AUX2) and
prep. for 4 more switches
- **AUXSW-4** Wiring for 4 extra switches (from Body builder electrical centre
to switch positions)

DELIVERY SERVICES

- **TGW-4GWL** GSM/GPRS/4G modem, LTE & WLAN for telematics gateway
- **FMS-PK** Fleet Management System gateway

VOLVO

Volvo Truck Corporation
volvotrucks.com