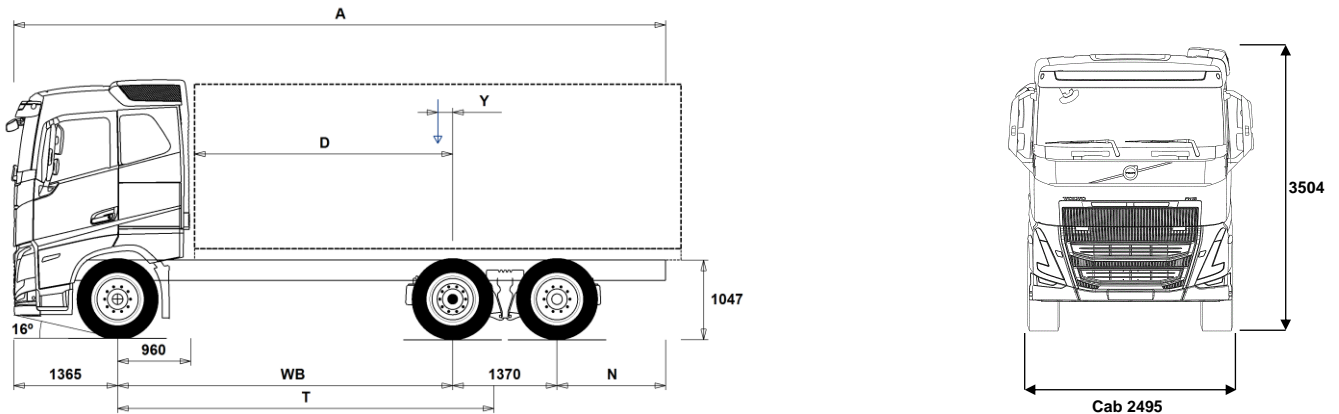


MODEL RANGE



Volvo Trucks. Driving Progress

NEW FH 16 6x2 Tag Rigid - Rear Air Suspension FH 62R T6A



Chassis Dimensions [mm]

WB Wheelbase	3500	3700	3900	4300	4600	4800	4900	5200	5600	6000
A Overall Chassis Length	7660	7860	8060	8460	8760	8960	9060	9360	9760	10160
D Center of rear axle to front of body	2490	2690	2890	3290	3590	3790	3890	4190	4590	4990
N Rear Overhang (Min.)	1225	1225	1225	1225	1225	1225	1225	1225	1225	1225
N Rear Overhang (Max.)	1425	1425	1425	1425	1425	1425	1425	1425	1425	1425
T Theoretical Wheelbase	4041	4241	4441	4841	5141	5341	5441	5741	6141	6541
Y Center of Gravity for Payload (Min.)	-130	-112	-93	-59	-34	-17	-7	19	50	82
Y Center of Gravity for Payload (Max.)	92	122	152	209	251	280	295	338	392	448

Chassis Weights [kg]

Front Axle	5165	5175	5180	5210	5230	5240	5240	5255	5280	5300
Rear Bogie	2675	2680	2685	2720	2740	2745	2750	2760	2785	2815
Kerb Weight	7840	7855	7865	7930	7970	7985	7990	8015	8065	8115
Payload (including body, driver, fuel, etc.)	18160	18145	18135	18070	18030	18015	18010	17985	17935	17885

Turning Diameter [mm]

Turning Circle Diameter Kerb to Kerb	14400	15000	15600	16800	17800	18400	18700	19600	20800	22000
Turning Circle Diameter Wall to Wall	15800	16400	17000	18200	19100	19700	20000	21000	22200	23400

Plated Weights [kg]

	Plated	Design
Gross Vehicle Weight	26000	27000
Gross Combination Weight	44000	44000
Front Axle	8000	8000
Rear Bogie	19000	19000

Important Notes

Chassis Dimensions

Cab Height: +305 mm for CAB-HSLP, -283 mm for CAB-LSLP, +450 mm for CAB-XHSL.

D-measure includes a front clearance of 50 mm and for rigid trucks also a subframe of 100 mm.

Height can vary ± 20 mm for leaf and ± 10 mm for air suspension.

All dimensions are for unladen chassis and any tag axles down. Chassis height used: CHH-HIGH.

Rear overhang used for vehicle weight calculation is the maximum rear overhang (N Max.) for selected wheelbase.

Height change when chassis height CHH-MED,FRAME266: 0 mm.

Weight and dimensions are based upon the following tyres:

Front Axle Tyres:	315/80R22.5
Drive Axle Tyres:	315/80R22.5
Trailing/Pusher Axle Tyres:	315/80R22.5

Chassis weight includes oil, water, AdBlue, 0 litres fuel and without driver. Kerb weight can vary $\pm 3\%$.

Turning diameters are theoretically calculated. Tag axle used: TA-FIXED.

Legal weights can differ from country to country.

For more detailed weight information, including optional equipment weights, ask your Volvo sales contact to enter your specification into the Volvo Weight Information system (WIS).

Do NOT use this drawing for bodybuilding. Refer to Volvo Bodybuilder Instructions and chassis assembly drawing FH62RT6A.

MODEL RANGE

NEW FH 16 6x2 Tag Rigid - Rear Air Suspension FH 62R T6A

TRUCK USE

- RC-ROUGH** Road conditions - On / off-road
- RC-SMOOT** Road Conditions - Smooth
- SWAPBODY** Transport Adaption - Swap body vehicle preparation
- TIPP-PRE** Transport Adaption - Tipper vehicle preparation
- UNIFORM** Transport Adaption - Basic platform vehicle

CORE COMPONENTS

- CHH-HIGH** Chassis Height - High - for loading heights check the unique BEP chassis drawing
- CHH-MED** Chassis Height - Medium - for loading heights check the unique BEP chassis drawing
- TA-HYSBS** Tag axle - Electro-hydraulically steered
- TAG-FIXD** Tag axle - Fixed with twin tyres on tag axle
- TAG-FIXS** Tag axle - Fixed with single tyres on tag axle
- RADT-GR** Rear air suspension, 2 axles - 1 driven/1 tag
- FH16HSL5** Globetrotter cab - all steel safety cage design with roof mounted emergency escape hatch. Designed and built to Swedish impact and ECE R29 regulations
- FH16LSL5** Low Sleeper Cab
- FH16SLP5** Cab - Sleeper - all-steel safety cage design with roof-mounted emergency escape hatch. Designed and built to Swedish impact and ECE R29 regulations
- FH16XHS5** Globetrotter XL cab - all steel safety cage design with roof mounted emergency escape hatch. Designed and built to Swedish impact and ECE R29 regulations
- EU6DS** Euro 6 SCR, particulate filter, EGR and dual stage turbo
- D16K550** Engine - D16K550 16 litre developing 550hp at 1550-1900rpm SCR & EGR. Peak torque 2900Nm at 900-1350rpm. 2800Nm at 900-1400rpm with manual gearbox
- D16K650** Engine - D16K650 16 litre developing 650hp at 1450-1900rpm SCR & EGR. Peak torque 3150Nm at 950-1450rpm.
- D16K750** Engine - D16K750 16 litre developing 750hp at 1600-1800rpm SCR & EGR. Peak torque 3550Nm at 950-1400rpm.
- EBR-EPG** Engine Brake Type - Exhaust brake controlled by steering column switch
- EBR-VEB+** Engine Brake Type - Volvo engine brake + and exhaust pressure governor, enhanced performance from additional exhaust rocker control. Retardation 375kW
- AT2812F** Gearbox - AT2812E 12-speed "I-shift" automated mechanical suitable for gross train weights up to 60 tonne. Refer to sales engineering when used in conjunction with a PTO
- ATO3112F** Gearbox - ATO3112F 12-speed "I-shift" overdrive automated mechanical, suitable for gross train weights up to 60tonne. Refer to sales engineering when used in conjunction with a PTO
- ATO3512F** ATO3512F 12-speed "I-shift" automated mechanical, suitable for gross train weights up to 60 tonne. Refer to sales engineering when used in conjunction with a PTO
- ASO-C** Crawler gear - Ratio direct top gearbox 19:1 Ratio Overdrive gearbox 17:1
- ASO-ULC** Ultra low crawler and crawler gear - Ratios direct top gearbox 32:1 and 19:1 Ratios Overdrive box 32:1 and 17:1
- RSH1370F** Drive Axle - RSH1370F 13-tonne hub reduction with differential lock - design GCW 70 tonne
- RSS1370A** Drive Axle - RSS1370A single reduction 13 tonne with differential lock - design GCW 70 tonne
- RSS1370B** Drive Axle - RSS1370B single reduction 13 tonne with differential lock - design GCW 70 tonne

Standard Equipment

Optional Equipment

For more detailed information about cab and powertrain equipment, please refer to separate specification sheets.

For all possible options and combinations of options please consult your Volvo sales contact who can create a specification to match your requirements using the Volvo Sales Support system (VSS).

The factory reserves the right to modify design and change equipment without previous notification. The specification can vary from country to country.

PACKAGES

- FUELPACK** Fuel Package - Long haul
- DRIVE16** Drive + Package
- 1LIVIN++** Sleep & Resting Package - Living one-bed ++
- 1LIVING** Sleep & Resting Package - Living one-bed
- 1LIVING+** Sleep & Resting Package - Living one-bed +
- 2LIVIN++** Sleep & Resting Package - Living two-bed ++
- 2LIVING** Sleep & Resting Package - Living two-bed
- 2LIVING+** Sleep & Resting Package - Living two-bed +
- INFOBAS** Basic media package without secondary display
- INFODF** Media Information Platform with Dynafleet Support
- INFOMED** Media Information Platform - Medium level
- INFONAV** Media Information Platform with Navigation
- INFONDF** Media Information Platform with Navigation & Dynafleet Support
- VISI5** Visibility Package
- VISI5+** Visibility plus Package
- VISI5++** Visibility ++ Package
- VISIC5** Visibility Package
- VISIC5+** Visibility plus Package
- SAFE-VE** Active Safety Package
- SAFE-VE+** Active Safety + Package
- CHASPAC** Chassis Package Rigid

CHASSIS

- FST-AIR** Front suspension type - Air
- FST-PAR** Front suspension type - 2 leaf parabolic springs
- FST-PAR3** Front suspension type - 3 leaf parabolic springs
- FSL5-BAS** Front suspension levelling - basic stroke
- FSL5-HI** Front suspension levelling - high stroke for demount operations - check with bodybuilder
- FAL10.0** Front axle design capacity - 10 tonne - check tyre capacity
- FAL8.0** Front axle design capacity - 8.0 tonne - check tyre capacity
- FAL8.5** Front axle design capacity - 8.5 tonnes
- FAL9.0** Front axle design capacity - 9.0 tonne - check tyre capacity
- FSTAB** Front anti-roll bar - Normal stiffness
- FSTAB2** Front anti-roll bar - Medium stiffness
- FSTAB3** Front anti-roll bar - High stiffness
- RSL5-BAS** Rear air suspension basic levelling stroke
- RSL5-HI** Rear air suspension high levelling stroke
- RAL19** Rear bogie design capacity - 19 tonne
- RAL22.5** Rear bogie design capacity - 22.5 tonne
- RSTAB2** Rear anti-roll bar - Medium stiffness
- RSTAB3** Rear anti-roll bar - Stiff
- RALIM10** Rear-axle load limiter - 10 tonne
- RALIM105** Rear-axle load limiter - 10.5 tonne - speed controlled
- RALIM115** Rear-axle load limiter - 11.5 tonne - speed controlled
- RALIM95** Rear-axle load limiter - 9.5 tonne
- ASF-DL1** Air suspension with 1 driving level
- ASF-DL3** Air suspension with 3 driving levels
- ACTST-TO** Active Steering- Volvo Dynamic Steering - VDS - with extra electronic pump and torque overlay
- ASFE-BAS** Active steering feature - Basic - Volvo Dynamic Steering - VDS - only
- ASFE-OG** Active steering feature - Volvo Dynamic Steering - VDS - with stability assist - oversteer
- ASFE-PO** Active steering feature - Volvo Dynamic Steering - VDS - with personal settings and stability assist
- ASFE-PS** Active steering feature - Volvo Dynamic Steering - VDS - with personal settings
- PSP-FIX** Power steering pump - Fixed displacement
- PSP-VAR** Power steering pump - Variable displacement
- EBS-MED** Brake package - EBS medium including "hill" hold function
- RST-AIR** Rear suspension type - Air

MODEL RANGE

NEW FH 16 6x2 Tag Rigid - Rear Air Suspension FH 62R T6A

- RST-AIR4** Rear suspension type - Air with reinforced air bellows
- FRAME266** Chassis frame section external height - 266 mm
- FRAME300** Chassis frame section external height - 300 mm
- FST7070** Chassis frame thickness - 7 mm web and flange
- FST8080** Chassis frame thickness - 8 mm web and flange
- FIL-EEEE** Chassis frame inner liner - From the end of the engine to the end of the bogie
- FIL-EEEF** Chassis frame inner liner - From the end of the engine to end of the frame
- FIL-TXEB** Chassis frame inner liner - From gearbox member to the end of the bogie
- FIL-TXEF** Chassis frame inner liner - From gearbox member to the end of the frame
- BATS-D** Dual energy battery system - 2 living batteries and 2 starter batteries.
- BATS-S** Single energy battery system (2 batteries)
- 2BAT210B** Battery Capacity - 2 x 210 Ah - Gel type
- 2BAT210C** Battery Capacity - 2 x 210 Ah - AGM Absorbent Glass-fibre Material type
- 2BATT170** Battery Capacity - 2 x 170 Ah on the left-hand side
- BATTAMP** Battery management - Voltage and current gauge
- BATTIND** Battery management - Charge indicator
- ADR2** ADR Adaptation - For transportation of dangerous goods on the road - Note does NOT include safe loading pass package if required this is quoted separately
- MSWI-A** Battery master switch - ADR switch circuit shut down
- MSWI-C** Battery master switch - Chassis mounted toggle by the battery box
- MSWI-R** Battery master switch - Key fob operated remote controlled
- R330A71** Right fuel tank - 330litre aluminium diameter 710mm
Min volume 255l
Max volume 885l
- UL-FUEL** Without left fuel tank
Min volume 160l
Max volume 730l
- ADTP-L** AdBlue tank position - Chassis mounted on the left-hand side
- ADTP-R** AdBlue tank position - Chassis mounted on the right-hand side
- ADB048** Plastic AdBlue tank - 48 litre
- ADB064** Plastic AdBlue tank - 64 litre
- ADB068** Plastic AdBlue tank - 68 litre
- ADB090** Plastic AdBlue tank - 90 litre
- ADB100** Plastic AdBlue tank - 100 litre
- ADTC-BF** AdBlue tank cover with satin alloy look decorative cover
- FCAP-L** Diesel and AdBlue filler cap - Locking
- FUFF-AS** Fuel filler - Anti-spill device
- FUFF-ATS** Fuel filler - Anti-spill & anti-syphon device
- ESH-LEFT** Exhaust - Horizontal silencer - left outlet
- ESH-REAR** Exhaust - Horizontal silencer - rear outlet
- ESH-RIGH** Exhaust - Horizontal silencer - right outlet
- ESH-VERT** Exhaust - Horizontal silencer - vertical outlet
- EXST-SSP** Stainless steel exhaust stack - NOT polished
- EXST-ST** Steel exhaust stack
- HS-NAR** Narrow heat shield
- WHC-FIX2** Wheel chocks - Two fixed design
- WHC-FOL2** Two foldable wheel chocks
- WHCP-F** Wheel chock carrier position - In the front part of the vehicle
- WHCP-M** Wheel chock carrier position - Middle part of the vehicle
- WHCP-R** Wheel chock carrier position - In the rear part of the vehicle
- WHCP-T** Wheel chock carrier position - Outer luggage locker
- TB-L80** Toolbox 800 mm, left side
- TB-R80** Toolbox 800 mm, right side
- SUP-BAS** EC approved chassis side guards
- CHAIN-S** Snow chains
- HOOK-SC** Snow chain hooks
- TOWF-NO1** Front towing device - One detachable - stored in cab
- TOWF-NO2** Front towing device - Two detachable - stored in cab
- TOWMBRH** Towing member, high mounted in centre of frame, D = 190
- TOWMBRL1** Towing member, low mounted under the frame
- TOWMBRL2** Towing member, low and forward mounted under the frame
- TOWMBRL3** Towing member, low and far forward mounted under the frame
- TOWMBRM** Towing member, medium mounted in line with frame lower flange
- RFEC-L** Rear frame profile - Lower flange cut for centre axle drawbar
- RFEC-S** Rear frame profile - Straight cut
- RFEC-U** Rear frame profile - Slight uppercut for tippers
- C-RI4040** Towing coupling, Ringfeder 4040 G-150
- C-RI5055** Towing coupling, Ringfeder 5055 G-150
- C-RO400G** Towing coupling, Rockinger 400 G-150 for 40mm eyes
- C-RO50** Rockinger RO 50 50mm for centre axle trailer
- TOWR-ONE** Towing hitch attached to rear crossmember
- TREL-PK** Trailer electrical preparation kit - chassis/cab wiring
- TREL14** Single 14 pole electrical trailer connector
- TREL15** Trailer electrical connection - Single 15 pin - ADR certified
- TREL7** 7 pole - 24N trailer electrical suzie
- TREL7-7** Trailer electrical connection - 2 x 7 pin - 24N and 24S
- TBC-DUO** Duomatic type air line connectors
- TBC-EC** Trailer brakes with EC palm coupling connectors
- TRBR-HCF** Full pressure hand controlled trailer brake
- TRBR-STA** Stationary trailer brake control
- TRB-STRE** Stretch Brake - Automatic low speed trailer brake activation to avoid jack-knifing and improve steerability
- RUP-FOLD** Rear underrun protection - Aluminium folding EC approved
- RUP-FOSL** Rear underrun protection - Aluminium folding & sliding EC approved
- RFEND-B** Three piece EC approved rear mud wings and spray flaps
- RFEND-T** Rear mud wings - Temporary on drive axle for transport delivery only
- RFH-BAS** Basic rear wing height
- RFH-HIG** High rear wing height - higher wing tops
- RFH-LOW** Lower rear wing height - shallower wing tops
- AUXATNK** Auxiliary airtank
- ATANK-AL** Air tanks - Aluminium
- ATANK-ST** Air tanks - Steel
- RESTS-W** White conspicuity markings on chassis - sideguards, toolbox and rear overhang
- REST-RUP**
- TL-LED** Rear lights - LED
- BLIGHT-E** Emergency brake light

WHEELS & TYRES

- RT-AL** Wheels - Alcoa brushed aluminium rims - standard holes for long stud fixing
- RT-ALDP** Wheels - Alcoa Dura-Bright aluminium rims - standard holes for long stud fixing
- RT-ALDPD** Wheels - Alcoa Dura-Bright EVO aluminium rims - countersunk holes for short stud fixing
- RT-ALDU** Wheels - Alcoa brushed aluminium rims - countersunk holes for short stud fixing
- RT-STEEL** Wheels - Steel rims
- WCAP** Aerodynamic hub caps
- SPWT-D** Spare wheel & tyre with rear tyre pattern
- SPWT-F** Spare wheel & tyre with front tyre pattern
- SWCP-LF** Spare wheel carrier on left side of chassis ahead of rear axle
- SWCP-R** Rear mounted spare wheel carrier

■ Standard Equipment

Optional Equipment

For more detailed information about cab and powertrain equipment, please refer to separate specification sheets.

For all possible options and combinations of options please consult your Volvo sales contact who can create a specification to match your requirements using the Volvo Sales Support system (VSS).

The factory reserves the right to modify design and change equipment without previous notification. The specification can vary from country to country.

MODEL RANGE

NEW FH 16 6x2 Tag Rigid - Rear Air Suspension FH 62R T6A

- SWCP-T** Spare wheel supplied temporarily strapped to chassis
 - SWCP-TP** Temporary spare wheel carrier on top of chassis frame
 - JACK-12T** 12 tonne bottle jack
 - JACK-15T** 15 tonne bottle jack
 - JACK-20T** 20 tonne bottle jack
 - TOOL-BAS** Basic Toolkit
 - TOOLKIT** Complete tool kit
 - INFLAHOS** Tyre inflation hose
 - GAUGE-TP** Tyre pressure gauge
- ### DRIVELINE EQUIPMENT
- TRAP-HD** Reinforced gearbox application
 - DRM-BE** Balanced & Economy Drive Mode
 - PVT-MAP** I-See Predictive Cruise Control - using map based topography information
 - CRUIS-E** Eco cruise control (with eco-roll and I-cruise, controls in steering wheel)
 - CRUISEC** Cruise control, standard
 - AMSO-AUT** Enhanced I-shift software with manual shift available in auto mode and kickdown facility on accelerator pedal
 - AVO-ENH** I-Shift application software - Off-road
 - APF-ENH** I-shift enhanced PTO functions
 - RET-TH** Gearbox mounted retarder
 - TC-MAOH2** Extra high performance transmission oil cooler - air to oil with front mounted radiator
 - TC-MWO** Basic transmission oil cooler - water to oil
 - 2COM1100** Air compressor - Two-cylinder 1100 litres per minute
 - 2COMP900** Air compressor - Two-cylinder 900 litres per minute
 - CLU-AIRC** Clutchable air compressor
 - AIRIN-FR** Front air intake fitted to the underside of cab engine tunnel
 - AIRIN-HI** Air intake - Roof-mounted behind cab on the left-hand side
 - AIRIN-LO** Low level air intake behind cab on left hand side
 - ACL1ST-S** Air filter - two-stage element
 - 24AL120B** Alternator capacity - 120 amp alternator
 - 24AL150B** Alternator capacity - 150 amp
 - CCV-C** Closed crankcase engine ventilation
 - CCV-OX** Closed crankcase ventilation for cold markets
 - PRIM-EL** Electrical priming pump
 - AF-R** Hot fuel recirculation heated fuel filter
 - FUEFE2SW** Small engine mounted dual fuel filter with water separator
 - EST-AID** Engine starting aid -Preheating element in the air inlet manifold
 - 220EBH15** 220V/1.5Kw electric engine block heater
 - PTER-100** Engine power-take-off - Rear-mounted with DIN100/ISO7646 flange
 - PTER-DIN** Engine power-take-off - Rear-mounted with DIN5462 (female) splined shaft for a close-coupled pump
Models with 3 steering axles will use this to drive the steering pump (AUXPSP)
 - PTER1400** Engine power-take-off - Rear-mounted with SAE 1410 flange
 - HPE-F101** Parker F1-101, engine mounted, fixed displacement, single flow, engine mounted hydraulic pump
 - HPE-F41** Parker F1-41, engine mounted, fixed displacement, single flow, engine mounted hydraulic pump
 - HPE-F51** Parker F1-51, engine mounted, fixed displacement, single flow, engine mounted hydraulic pump
 - HPE-F61** Parker F1-61, engine mounted, fixed displacement, single flow, engine mounted hydraulic pump
 - HPE-F81** Parker F1-81, engine mounted, fixed displacement, single flow, engine mounted hydraulic pump
 - HPE-T53** Parker F2-53/53, engine mounted, Fixed displacement, Twin flow engine mounted hydraulic pump
 - HPE-T70** Parker F2-70/35, engine mounted, Fixed displacement, Twin flow engine mounted hydraulic pump
 - HPE-V45** Parker VP1-45, variable displacement, single flow, engine mounted hydraulic pump
 - HPE-V75** Parker VP1-75, variable displacement, single flow, engine mounted hydraulic pump
 - PTR-D** Gearbox PTO for plug-in pump, 0.71xeng speed
 - PTR-DH** Gearbox driven high speed PTO for one plug-in hydraulic pump
 - PTR-DM** Gearbox driven medium speed PTO for one plug-in hydraulic pump
 - PTR-F** Gearbox driven PTO with rear flange connection
 - PTR-FH** Gearbox driven high speed PTO with SAE drive flange
 - PTR-FL** Gearbox driven low speed PTO with SAE drive flange
 - PTRD-D** Gearbox driven HIGH SPEED PTO for two plug-in hydraulic pumps
 - PTRD-D1** PTRD-D1 Gearbox driven HIGH SPEED PTO (1 SAE flange & 1 plug-in hydraulic pump)
 - PTRD-D2** Gearbox driven HIGH SPEED PTO (2 SAE flanges & 1 plug-in hyd pump)
 - PTRD-F** PTO with 1 DIN + 1 flange connection rear, manual gearbox
 - HPG-F101** Parker F1-101 gearbox mounted, fixed displacement, single flow, hydraulic pump
 - HPG-F41** Parker F1-41 gearbox mounted, fixed displacement, single flow, hydraulic pump
 - HPG-F51** Parker F1-51 gearbox mounted, fixed displacement, single flow, hydraulic pump
 - HPG-F61** Parker F1-61 gearbox mounted, fixed displacement, single flow, hydraulic pump
 - HPG-F81** Parker F1-81 gearbox mounted, fixed displacement, single flow, hydraulic pump
 - STWPOS-R** Steering wheel position - RIGHT-HAND DRIVE
 - STWM-LE** Leather steering wheel
 - STGW-AD2** Adjustable steering wheel with neck tilt
 - STGW-ADJ** Adjustable steering wheel
 - AIRBAG** SRS Driver's air bag
 - DRC-AMII** DPF Regeneration control switch - for manual and switching off regeneration
 - 1DAYDIG2** Tachograph - Continental VDO 4.0
 - ARSL** Additional road speed limit - switch in dashboard
 - ESP-BAS1** Electronic Stability Control
 - ESPC-RO** ESP (Electronic Stability Program) functionality control - Reduced / Off
 - HWSS-ACB** Adaptive cruise control ACC with forward collision warning and AEBS advanced emergency brake system
 - HWSS-FCB** Forward collision warning with AEBS advanced emergency brake system
 - LSS-DW** Lane departure-warning system
 - LCS** Lane change support
 - DAS-W** Driver Alert Support system
 - RSENS-W** Rain sensing windscreen wipers
 - CU-ECC** Cab Climate Unit - Electrically controlled air conditioning with sun sensor
 - CU-ECC2** Cab Climate Unit - Electrically controlled air conditioning with a carbon filter, sun, mist, and air quality sensor
 - IMMOBIL** Thatcham H2 approved immobiliser
 - ALARM-E** Enhanced vehicle alarm - Thatcham H1 approved - Cab plus external sensor for body/trailer
 - ALCOLOCK** Alcolock
 - AMPL400** Radio amplifier, 8 channel, 400 W with subwoofer
Located in right hand external storage box

Standard Equipment

Optional Equipment

For more detailed information about cab and powertrain equipment, please refer to separate specification sheets.

For all possible options and combinations of options please consult your Volvo sales contact who can create a specification to match your requirements using the Volvo Sales Support system (VSS).

The factory reserves the right to modify design and change equipment without previous notification. The specification can vary from country to country.

MODEL RANGE

NEW FH 16 6x2 Tag Rigid - Rear Air Suspension FH 62R T6A

- | | |
|---|---|
| <ul style="list-style-type: none"> <input type="checkbox"/> BUPMON CLASSIC Video switch & one reverse camera & lead - NEW Digital reverse camera, parameter & lead supplied loose in cab. <input type="checkbox"/> PHONE-PK Telephone preparation kit (antenna, antenna attachm. cable incl.) <input type="checkbox"/> ISUNS-BS Side sun visor - Driver & passenger side <input checked="" type="checkbox"/> ISUNS-DS Side sun visor - Driver-side <input type="checkbox"/> ISUNF-RE Electrically operated textile interior sun blind <input checked="" type="checkbox"/> ISUNF-RM Manually operated textile interior sun blind <input checked="" type="checkbox"/> CSPL-BX Lower center dash open storage box <input type="checkbox"/> CSPL-BXD Lower centre dash drawer <input type="checkbox"/> CSPU-SDR One open storage and one drawer - behind push open lid - in upper part of the centre dash panel <input checked="" type="checkbox"/> CSPU-SS Two open storages - behind push open lid in upper part of the centre dash panel <input type="checkbox"/> ADFS Two extra DIN slots in front shelf - can be fitted with card or drawer available as an accessory <input checked="" type="checkbox"/> BUPALARM Reverse alarm <input type="checkbox"/> RTOLL-PK Road toll PREPARATION kit for trucks operating with "Toll Collect" in Germany <input type="checkbox"/> LOADIND Load indicator with central dashboard display <input type="checkbox"/> REMC-MF Multi-functio wireless remote control <input type="checkbox"/> FIREXT3S Fire extinguisher - 3kg mounted on the seat base <input type="checkbox"/> WARNVEST High visibility warning vest - no sleeves <input type="checkbox"/> AIDKIT First aid kit - Legal demand for EU markets including delivery to EU bodybuilder <input type="checkbox"/> AIDKIT1B First aid kit - Legal demand for trucks transiting Germany <input type="checkbox"/> WARNLAMP Portable warning lamp <input type="checkbox"/> LAMP-IN Inspection lamp <input type="checkbox"/> BULBKIT Bulb and fuse kit <input checked="" type="checkbox"/> WRITEPAD Writing pad <input checked="" type="checkbox"/> DST-CF4 Driver seat - Suspended, adjustable shock absorber, travel, backrest & lumbar controls - seatbelt mounted to the seat <input type="checkbox"/> DST-CF5 Driver seat - Suspended with adjustable shock absorber, travel, backrest, lumbar & heat controls - seatbelt mounted to the seat <input type="checkbox"/> DST-CF6 Driver seat - Suspended with adjustable shock absorber, travel, backrest, lumbar, heat and ventilation controls - seatbelt mounted to the seat <input type="checkbox"/> DST-LUX1 Driver seat - Deluxe 1: electrical adjustment with memory function, lumbar support, heating & ventilation - seatbelt mounted to the seat <input type="checkbox"/> DST-LUX2 Driver seat - Deluxe 2: electrical adjustment with memory function, lumbar support & heating - seatbelt mounted to the seat <input type="checkbox"/> SBD-RED Seat belt colour - Red <input type="checkbox"/> SBPRE-DS Driver seat belt pretensioner <input type="checkbox"/> PST-BAS1 Passenger seat - Fixed non suspended fold up with seatbelt mounted in cab <input type="checkbox"/> PST-CF4 Passenger seat - Suspended, adjustable shock absorber, travel, backrest & lumbar controls - seatbelt mounted to the seat <input type="checkbox"/> PST-CF5 Passenger seat - Suspended with adjustable shock absorber, travel, backrest, lumbar & heat controls - seatbelt mounted to the seat <input type="checkbox"/> PST-RX1 Passenger seat - Fixed non suspended, features: 90-degree rotation and tilt function with seatbelt mounted in cab <input type="checkbox"/> PST-STD2 Passenger seat - Fixed with backrest adjustment, non suspended with seatbelt mounted in cab <input checked="" type="checkbox"/> PST-STD4 Passenger seat - Standard suspended with seatbelt mounted in cab <input type="checkbox"/> SBPRE-PS Passenger seat belt pretensioner | <ul style="list-style-type: none"> <input checked="" type="checkbox"/> ARMRE-BB Armrests - Two on both driver & passenger seats <input checked="" type="checkbox"/> ARU-LEA Armrest upholstery - Leather <input checked="" type="checkbox"/> GRABHI-L Leather covered instep cab grab handle <input type="checkbox"/> FMAT-RUB Footwell floor mats - Rubber <input checked="" type="checkbox"/> FMAT-TX2 Footwell floor mats - Two sets, Rubber and textile with an embossed pile supplied in the cab <input checked="" type="checkbox"/> LBK80F Lower fixed bunk with wide middle section 815 in the centre x 2000 mm <input type="checkbox"/> LBK80FRE Lower electrically operated recline bunk with wide middle section 815 in the centre x 2000 mm <input type="checkbox"/> LBK80FRM Lower manually operated recline bunk with wide middle section 815 in the centre x 2000 mm <input type="checkbox"/> MATL-FI Firm lower bunk pocket sprung mattress <input type="checkbox"/> MATL-FI4 Lower mattress - firm, memory foam, 2000x700x130 mm <input checked="" type="checkbox"/> MATL-SF Lower flexizone mattress - semi-firm, pocket springs up to 100kg - 16 stone <input type="checkbox"/> OLMAT-BA 35mm mattress overlay protector <input checked="" type="checkbox"/> OLMAT-PR 50mm premium mattress overlay protector <input type="checkbox"/> TBK60AD Height adjustable foldable top bunk 600 x 1900mm <input type="checkbox"/> TBK60F Fixed foldable top bunk 600 x 1900mm <input type="checkbox"/> TBK70AD Height adjustable foldable top bunk 700 x 1900mm <input type="checkbox"/> TBK70F Fixed foldable top bunk 700 x 1900mm <input type="checkbox"/> PH-CAB2 1.8kW Air to air night heater <input type="checkbox"/> PH-ENGCA Engine and cab night heater <input type="checkbox"/> CPC-ADV I-ParkCool - Advanced cab parking cooler with 120V DC electrical compressor <input checked="" type="checkbox"/> SLCP-BAS Sleeper control panel - Basic with switches for interior light, night heater, roof hatch and door lock <input type="checkbox"/> SLCP-LUX Sleeper control panel - Luxury with switches for interior light, night heater, roof hatch, door lock, alarm clock, window and radio <input type="checkbox"/> SAFE Safe box for driver's personal items <input type="checkbox"/> RUS-BAS Rear cab upper storage - 300 mm high <input type="checkbox"/> RUS-HIG Rear cab upper storage - 440 mm high - volume 245 litres <input type="checkbox"/> TABLE Folding and height adjustable table - on lower bunk <input type="checkbox"/> REFR-RUS Fridge - 28 litre rear upper wall mounted with dividers <input type="checkbox"/> REFRIG Fridge - 33 litre under-bunk mounted with freezer dividers <input type="checkbox"/> MICRO-PK Wiring preparation kit for microwave oven <input type="checkbox"/> BOTH-D One bottle holder under dashboard centre section <input type="checkbox"/> BOTH-DL Two bottle holders, one under dashboard centre section and one mounted to the under bunk drawer <input type="checkbox"/> BOTH-L One bottle holder mounted to the under bunk drawer <input type="checkbox"/> COFMA-PK Coffee maker, preparation kit. <input type="checkbox"/> INLI-BAS Interior white LED lights - basic <input type="checkbox"/> INLI-NL Interior white and red night LED light with no dimmer <input checked="" type="checkbox"/> INLI-NLD Interior white and red night LED light with dimmer <input type="checkbox"/> ARL-FLEX Two flexible reading lamps (snake lamps) <input checked="" type="checkbox"/> RH-EE Fixed tinted glass sky window with emergency exit <input type="checkbox"/> RH-ER Steel roof hatch - Electrically operated, rear opening with emergency exit <input type="checkbox"/> RH-ETR Tinted glass roof hatch - Electrically operated, rear opening with emergency exit <input type="checkbox"/> RH-MTR Tinted glass roof hatch - Manually operated, rear opening with emergency exit <input checked="" type="checkbox"/> GLAS-TIN Tinted windows. <input type="checkbox"/> SWIND-BS Extra side window on both sides behind "B" pillar <input checked="" type="checkbox"/> VANMIR Vanity mirror in front shelf <input type="checkbox"/> AS-FUS Extra shelf in front upper storage compartments <input type="checkbox"/> INFOT-PK Preparation kit for the mounting of a flat screen TV in cab above the driver's door, includes bracket, electrical and speaker connections |
|---|---|

■ Standard Equipment

□ Optional Equipment

For more detailed information about cab and powertrain equipment, please refer to separate specification sheets.

For all possible options and combinations of options please consult your Volvo sales contact who can create a specification to match your requirements using the Volvo Sales Support system (VSS).

The factory reserves the right to modify design and change equipment without previous notification. The specification can vary from country to country.

MODEL RANGE

NEW FH 16 6x2 Tag Rigid - Rear Air Suspension FH 62R T6A

CAB EXTERIOR

- EXTL-BAS** Basic exterior finish - Satin Volvo badges, grey grille, instep, bumper, bumper spoiler, grille, door handles mirror housing and sunvisor if specified.
- **EXTL-EN3** Enhanced exterior finish - Waterfall Grille. Chrome Volvo badges and door handles. Instep, bumper and bumper spoiler in cab colour if specified. Aluminium step inserts. Mirror housing and sun visor if specified with silver accents.
- **DGLAS-H** Tempered door glass
- DGLAS-L** Laminated door glass
- **LOCK-REM** Door locks - Remote central locking
- **BUMP-B** Plastic front bumper
- BUMP-B2** Steel front bumper
- BUMP-HD** Heavy duty front bumper
- BUMP-SP** Front bumper spoiler
- GUARD-EH** Engine guard to protect sump and engine hoses
- **BUGNET** Insect screen in front of radiator
- CTILT-P-E** Electrically operated hydraulic cab tilt
- **CTILT-P-M** Manually operated hydraulic cab tilt
- FCABS-A** Front cab suspension - Air
- **FCABS-M** Front cab suspension - Mechanical spring
- RCABS-A** Rear cab suspension - Air
- **RCABS-M** Rear cab suspension - Mechanical spring
- **HCC-INEX** Exterior and interior hood catch control
- MIRCFPCS** Mirrors - Electrically heated and operated main and wide-angle with manually adjusted kerb view mirror on the passenger side and position camera in nearside mirror arm.
- MIRCOMP** Electrically heated and operated main and wide angle mirrors and manually adjusted kerb view mirror on passenger side
- **MIRSTD** Electrically heated main and wide angle mirrors and manually adjusted kerb view mirror on passenger side
- **AMIR-F20** Auxiliary front view mirror with a 200mm radius
- SUNV-H** External smoke grey sunvisor
- AD-ROOF** Roof air deflector
- AD-SIDES** Short cab side air deflector for rigid bodywork
- **HL-BASIC** Halogen H7 head lamps
- HL-CLEAN** Head lamp cleaner - washer jets
- HLP-ST** Headlamp protection
- HL-ADJ** Headlight adjustment - Switch in cab
- DRIVL2** Two spot lamps
- UDRIVL** Without auxiliary driving lights
- **FOGL-WC** Front fog lights
- CL-STAT** Static corner lights
- ASL-RF2** Two Hella H11 70W spotlamps in sign box - only available with the basic headlight and no lower driving lights.
- BEACOA2F** Roof beacons - Two amber front
- BEACOA2R** Roof beacons - Two amber rear roof-mounted on accessory bracket
- BEACON-P** Roof beacons - wiring preparation only
- BEACONA4** Roof beacons - Four amber - two front/ two rear
- CABPT-R1** Single outlet for roof mounted accessories
- **CABPT-R2** Twin outlets for roof mounted accessories.
- SPOTP-F** Spotlamp preparation in front, max 280W
- SPOTP-R** Spotlamp preparation on roof, max 280W
- SPOTP-RF** Spotlamp preparation on cab roof and in cab front, max 2x280W
- ROS-IL2** Preparation kit for illuminated roof sign with switch loose in cab, fit after registration

- CSGN-ENG** Engine size and power headboard logo
- CSGN-GTR** "Globetrotter" headboard logo
- **HORN-F1S** Horn - Air single tone - chassis mounted
- HORN-R2S** Horn - Air - Two roof-mounted
- ANT-CBR** Roof mounted antenna for CB radio, single aerial
- ACCBP-AP** Front, middle & rear roof mounted accessory brackets
- ACCBP-F** Front roof mounted accessory bracket
- ACCBP-FM** Front & middle roof mounted accessory brackets
- ACCBP-FR** Front & rear roof mounted accessory brackets
- ACCBP-M** Middle roof mounted accessory bracket
- ACCBP-R** Rear roof mounted accessory bracket
- ACCBP-RM** Rear & middle roof mounted accessory brackets
- STUC-B** Left and right storage compartments under cab
- STUC-L** Left storage compartment under cab
- STUC-R** Right storage compartment under cab
- REFS-CW** White cab conspicuity markings mounted on cab side
- REFS-TW** White cab conspicuity markings by packed in cab
- REFS-TY** Yellow cab conspicuity markings by packed in cab

SUPERSTRUCTURE PREPARATIONS

- SW745-EE** Swapbody equipped with front stop block for wheelbase 4600 mm and body length 7150/7450 mm. Height 130 mm above frame.
- SW745-FE** Swapbody equipped with front stop block for wheelbase 4800 mm and body length 7150/7450 mm. Height 130 mm above frame.
- SW745-GE** Swapbody equipped with front stop block for wheelbase 4600 mm and body length 7150/7450 mm. Height 190 mm above frame.
- SW745-HE** Swapbody equipped with front stop block for wheelbase 4800 mm and body length 7150/7450 mm. Height 130 mm above frame.
- SW782-ME** Swapbody equipped with front stop block for wheelbase 4900 mm and body length 7150/7450/7820 mm. Height 130 mm above frame.
- SW782-OE** Swapbody equipped with front stop block for wheelbase 4900 mm and body length 7150/7450/7820 mm. Height 190 mm above frame.
- CROSSRE** Cross reinforcement for swapbody
- SRWL-PK** Chassis-mounted working lamps - Side work and reverse lamp preparation and 3 position switch - Max load 280W
- SWL-2FW** Chassis-mounted working lamps - Two white front-mounted LED lamps
- SWL-2RW** Chassis-mounted working lamps - Two white rear-mounted LED lamps
- SWL-4W** Chassis-mounted working lamps - Four white front and rear-mounted LED lamps
- SWL-PK** Chassis-mounted working lamps - Side work lamp preparation and 2 position switch - Max load 280W
- WLC-H2W** Two H3/70W white working lamps high mounted on the back of cab
- WLC-PKCH** Working lamp back of cab - Preparation kit - cables and switch
- WLC-PKH** Preparation kit, cables and switch for high mounted working lamps back of cab
- WLC-PKL** Preparation kit, cables and switch for low mounted working lamps back of cab
- WLC-PKLH** Preparation kit - cables and switch for low and high mounted working lamps back of cab.
- **ECBB-HIG** Body builder electrical centre with body builder module
- BBCHAS1** One 7-pole connector for Body builder interface
- BBCHAS3** Three 7-pole connectors for Body builder interface
- BEPR-T2** Body builder electrical software preparation for tipper with remote control
- EXSTER** External steering control - Volvo dynamic steering and bodybuilder module prepared for external control system, installed and computer by bodybuilder
- **TD-LED** Trailer detection with LED sensing

■ Standard Equipment Optional Equipment

For more detailed information about cab and powertrain equipment, please refer to separate specification sheets.

For all possible options and combinations of options please consult your Volvo sales contact who can create a specification to match your requirements using the Volvo Sales Support system (VSS).

The factory reserves the right to modify design and change equipment without previous notification. The specification can vary from country to country.

MODEL RANGE

NEW FH 16 6x2 Tag Rigid - Rear Air Suspension FH 62R T6A

- **FRFS-BS** Frame rail free space on both sides to give space for crane legs or other equipment.
- **FBA-BTF** Lower front body attachments for torsionally flexible - platform body
- **FBA-BTSF** Lower front body attachments for torsionally semi-flexible body - box or curtainsider
- **HBA-FSFB** Holes for body attachments - flexible/semi-flexible body
- **HBA-SB** Holes for body attachments - stiff body
- **RBA-T2** Lower rear body attachments for helper frame
- **CRANEPK1** Crane plates mounted to frame, for cranes up to 10 tonne metre capacity
- **CRANEPK2** Crane plates mounted to frame, for cranes up to 20 tonne metre capacity
- **CRANEPK4** Crane plates mounted to frame, for cranes up to 40 tonne metre capacity
- **AUXL-SPK** Electrical preparation kit - wiring and switch for snow plough lights
- **TAILPRE2** Tail lift preparation kit, wireless remote operation
- **TAILPREP** Taillift preparation kit - cab switch and warning in driver display
- **AESW2** Two Body builder bistable electrical switches (marked AUX1 / AUX2)
- **AESW2PK** 2 Body builder bistable el.switches (marked AUX1/AUX2) and prep. for 4 more switches
- **AUXSW-4** Wiring for 4 extra switches (from Body builder electrical centre to switch positions)

DELIVERY SERVICES

- **TGW-4GWL** Telematics gateway - GSM/GPRS/4G modem, LTE & WLAN
- **FMS-PK** Fleet Management System gateway
- **DRUT2** Driver utility app - "My Truck" - two-year subscription
For mobile phone, tablet, with android and IOS systems.
Only available with Volvo Connect subscription



Volvo Truck Corporation
volvotrucks.com