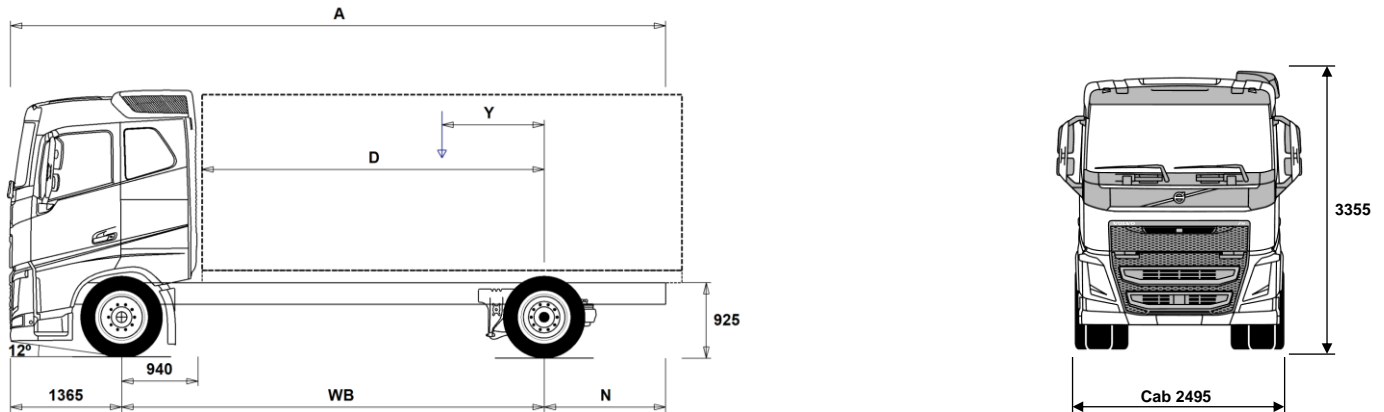


# MODEL RANGE



Volvo Trucks. Driving Progress

FH 13 4x2 Platform - Low - Full Air Suspension FH 42 R3LA



## Chassis Dimensions [mm]

WB Wheelbase	5200	5600	6000	6300	6500	6700
A Overall Chassis Length	9460	10060	10660	11210	11560	11810
D Center of rear axle to front of body	4210	4610	5010	5310	5510	5710
N Rear Overhang (Min.)	1395	1395	1395	1395	1395	1395
N Rear Overhang (Max.)	2895	3095	3295	3545	3695	3745
Y Center of Gravity for Payload (Min.)	777	839	900	948	981	1008
Y Center of Gravity for Payload (Max.)	1055	1140	1224	1289	1334	1373

## Chassis Weights [kg]

Front Axle	4820	4825	4830	4835	4835	4845
Rear Axle	1935	1990	2040	2095	2120	2145
Kerb Weight	6755	6815	6870	6930	6955	6990
Payload (including body, driver, fuel, etc.)	11245	11185	11130	11070	11045	11010

## Turning Diameter [mm]

Turning Circle Diameter Kerb to Kerb	18800	20000	21300	22300	22900	23600
Turning Circle Diameter Wall to Wall	20100	21400	22600	23600	24300	24900

## Plated Weights [kg]

	Plated	Design
Gross Vehicle Weight	18000	20100
Gross Combination Weight	40000	44000
Front Axle	7100	7100
Rear Axle	11500	13000

## Important Notes

### Chassis Dimensions

Cab Height: +305 mm for CAB-HSLP, -283 mm for CAB-LSLP, +450 mm for CAB-XHSL.

D-measure includes a front clearance of 50 mm and for rigid trucks also a subframe of 100 mm.

Height can vary  $\pm 20$  mm for leaf and  $\pm 10$  mm for air suspension.

All dimensions are for unladen chassis and any tag axles down.

Rear overhang used for vehicle weight calculation is the maximum rear overhang (N Max.) for selected wheelbase.

Weight and dimensions are based upon the following tyres:

Front Axle Tyres: 315/70R22.5  
Drive Axle Tyres: 315/70R22.5

**Chassis weight includes oil, water, AdBlue, 0 litres fuel and without driver. Kerb weight can vary  $\pm 3\%$ .**

Turning diameters are theoretically calculated.

Legal weights can differ from country to country.

For more detailed weight information, including optional equipment weights, ask your Volvo sales contact to enter your specification into the Volvo Weight Information system (WIS).

Do NOT use this drawing for bodybuilding. Refer to Volvo Bodybuilder Instructions and chassis assembly drawing FH42R3LA.

# MODEL RANGE

FH 13 4x2 Platform - Low - Full Air Suspension FH 42 R3LA

## TRUCK USE

- **RC-SMOOT** Operating class highway

## CORE COMPONENTS

- **FH-HSLP** Globetrotter cab - all steel safety cage design with roof mounted emergency escape hatch. Designed and built to Swedish impact and ECE R29 regulations
- **FH-SLP** Sleeper cab - all steel safety cage design with roof mounted emergency escape hatch. Designed and built to Swedish impact and ECE R29 regulations
- **FH-XHSL** Globetrotter XL cab - all steel safety cage design with roof mounted emergency escape hatch. Designed and built to Swedish impact and ECE R29 regulations
- **EU6SCR** Emission level - Euro 6
- **D13 420S** D13K420 12.8 litre engine developing 420hp at 14-1800rpm. Peak torque 2100Nm at 860 -1400rpm.
- **D13 460S** D13K460 12.8 litre engine developing 460hp at 14-1800rpm. Peak torque 2300Nm at 900-1400rpm.
- **D13 460T** D13K460TC 12.8 litre Turbo-compound diesel engine developing 460hp at 14-1800rpm. Peak torque 2600Nm at 900-1250rpm.
- **D13 500S** D13K500 12.8l engine developing 500hp at 14-1800rpm. Peak torque 2500Nm at 1000-1400rpm.
- **D13 500T** D13K500TC 12.8 litre Turbo-compound diesel engine developing 500hp at 14-1800rpm. Peak torque 2800Nm at 900-1250rpm.
- **D13 540S** D13K540 12.8l engine developing 540hp at 14-1800rpm. Peak torque 2600Nm at 1000-1450rpm.
- **D13K420** D13K420 - 420hp engine
- **D13K460** D13K460 - 460hp engine
- **D13K500** D13K500 - 500hp engine
- **D13K540** D13K540 - 540hp engine
- **EBR-EPG** Exhaust brake controlled by steering column switch
- **EBR-EPGC** Exhaust pressure governor for I shift gearbox
- **EBR-VEB+** Volvo engine brake + and exhaust pressure governor, enhanced performance from additional exhaust rocker control. Retardation 375kW
- **AT2612F** AT2612F 12-speed "I-shift" automated mechanical gearbox suitable for gross train weights up to 60tonne only refer to sales engineering when used in conjunction with a PTO
- **AT2812F** AT2812E 12-speed "I-shift" automated mechanical gearbox suitable for gross train weights up to 60 tonne refer to sales engineering when used in conjunction with a PTO
- **ATO2612F** ATO2612F 12-speed "I-shift" overdrive automated mechanical gearbox suitable for gross train weights up to 60tonne refer to sales engineering when used in conjunction with a PTO
- **SPO2812** SPO2812 - 12 speed I-shift Dual Clutch automated mechanical gearbox GCW 60tonne
- **RSS1344E** RSS1344E single reduction rear axle with differential lock - design GCW 44tonne
- **RSS1352A** RSS1352A single reduction 13 tonne rear axle with differential lock - design GCW 52 tonne
- **RSS1356** RSS1356 single reduction rear axle with differential lock - design GCW 56 tonne
- **RSS1370A** RSS1370A single reduction 13 tonne rear axle with differential lock - design GCW 70 tonne
- **RSS1370B** RSS1370B single reduction 13 tonne rear axle with differential lock - design GCW 70 tonne

## PACKAGES

- **LHFP-VE** Long Haul Fuel Economy driving package
- **LHFP-VE+** Long Haul Fuel Economy plus driving package
- **DRIVE** Cab Package: Drive
- **DRIVE+** Cab Package: Drive +

- Standard Equipment
- Optional Equipment

For more detailed information about cab and powertrain equipment, please refer to separate specification sheets.

For all possible options and combinations of options please consult your Volvo sales contact who can create a specification to match your requirements using the Volvo Sales Support system (VSS).

The factory reserves the right to modify design and change equipment without previous notification. The specification can vary from country to country.

- **DRIVE++** Cab Package: Drive ++
- **1BED** Living package with single bed:
- **1BED+** Living package with single bed plus:
- **2BED** Living package with two beds:
- **2BED+** Living package with two beds plus:
- **AUDHIG** High Power Audio system: RDS radio with CD player - also playing MP3/WMA files from CD -, with integrated bluetooth phone and USB/Line inputs. FM/AM antenna, speakers in dashboard, doors, and sleeping compartment.
- **MEDIA** AM/FM Bluetooth radio without CD player. USB and Aux line inputs. Speakers in dashboard, doors, and sleeping compartment. 7" touch screen with personal apps.
- **MEDIADF** AM/FM Bluetooth radio without CD player. USB and Aux line inputs. Speakers in dashboard, doors, and sleeping compartment. 7" touch screen with personal and professional apps. Dynafleet vehicle on-board data display with office internet support.
- **MEDIANAV** AM/FM Bluetooth radio without CD player. USB and Aux line inputs. Speakers in dashboard, doors, and sleeping compartment. 7" touch screen with personal and professional apps. Truck based satellite navigation (live updates not included)
- **MEDIANDF** AM/FM Bluetooth radio without CD player. USB and Aux line inputs. Speakers in dashboard, doors, and sleeping compartment. 7" touch screen with personal and professional apps. Truck based satellite navigation (live updates not included) Dynafleet vehicle on-board data display with office internet support.
- **VISI15** Visibility Package
- **VISI15+** Visibility Plus Package
- **ASAF15** Active Safety Package
- CHASSIS**
  - **FST-AIR** Front suspension type - air
    - **FAL7.1** Front axle design capacity 7.1 tonnes
    - **FAL7.5** Front axle design capacity 7.5 tonnes
    - **FAL8.0** Front axle design capacity 8.0 tonnes - Ensure that you have checked the tyre load index
  - **FSTAB2** Front anti-roll bar medium stiffness
  - **FSTAB3** Front stiff anti-roll bar
  - **RAL13** Rear axle design capacity 13 tonnes
  - **ASF-DL1** Air suspension with 1 driving level
  - **ASF-DL3** Air suspension with 3 driving levels
  - **ACTST-TO** Volvo Dynamic Steering (VDS) with with extra electronic pump and torque overlay
  - **ASFE-BAS** Active steering feature - Basic - Volvo Dynamic Steering only
  - **ASFE-PS** Active steering feature - Volvo Dynamic Steering with personal settings
  - **PSP-FIX** Power steering pump with fixed displacement
  - **PSP-VAR** Power steering pump with variable displacement
  - **EBS-MED** EBS medium package including "hill" hold function
  - **AUXPARK** Additional spring parking brakes
  - **FRAME266** Frame rail section external height 266 mm
  - **FST7070** Frame thickness - web and flange 7.0mm
  - **FST8080** Frame thickness - web and flange 8.0mm
  - **FIL-TXEB** Inner liner from gearbox member to end of bogie
  - **FIL-TXEF** Inner liner from gearbox member to end of frame
  - **BBOX-L** Battery box located on left hand side
  - **BATS-D** Dual energy battery system - 2 living batteries and 2 starter batteries.
  - **BATS-S** Single energy battery system (2 batteries)

# MODEL RANGE

## FH 13 4x2 Platform - Low - Full Air Suspension FH 42 R3LA

- 2BAT210B** 2 x 210 Ah capacity Gel batteries
- 2BATT170** 2 x 170 Ah capacity batteries
- 2BATT225** 2 x 225 Ah capacity batteries
- BATTAMP** Battery voltage and ampere gauge
- BATTIND** Battery charge indication
- ADR2** ADR package for transportation of dangerous goods on road (Note does NOT include safe loading pass package if required this is quoted separately)
- MSWI-A** Main switch - ADR switch circuit shut down
- MSWI-C** Main switch - Chassis mounted toggle switch by battery box
- MSWI-R** Main switch - Key fob operated remote controlled
- R315A56** Right aluminium 560 mm D-shaped fuel tank, 315 litres volume  
Min volume 255l  
Max volume 885l
- UL-FUEL** Without left fuel tank  
Min volume 160l  
Max volume 540l
- ADTP-L** AdBlue tank on left hand side
- ADTP-R** AdBlue tank on right hand side
- ADB048** AdBlue tank usable volume 48 litres
- ADB068** AdBlue tank usable volume 68 litres
- ADB100** AdBlue tank usable volume 100 litres
- FCAP-L** Locking fuel filler cap
- FUFF-AS** Fuel filling anti-spillage device
- FUFF-ATS** Fuel filling anti-theft and anti-spillage devices
- ESH-LEFT** Horizontal silencer, left exhaust outlet
- ESH-REAR** Horizontal silencer, rear exhaust outlet
- ESH-VERT** Horizontal silencer, vertical exhaust outlet
- EXST-SSP** Stainless steel exhaust stack - NOT polished
- EXST-ST** Steel exhaust stack
- HS-NAR** Narrow heat shield
- WHC-FIX1** One fixed wheel chock
- WHC-FIX2** Two fixed wheel chocks
- WHC-FOL1** One foldable wheel chock
- WHC-FOL2** Two foldable wheel chocks
- WHCP-F** Wheel chock(s) stored in the front part of the vehicle
- WHCP-M** Wheel chock(s) stored in the middle part of the vehicle
- WHCP-R** Wheel chock(s) stored in the rear part of the vehicle
- WHCP-T** Transport mounted wheel chock(s) stored in cab outer luggage locker
- TB-R80** Toolbox 800 mm, right side
- CHAIN-S** Snow chains
- HOOK-SC** Snow chain hooks
- TOWF-NO1** One front towing device
- TOWF-NO2** Two front towing devices
- TOWMBRH** Towing member, high mounted in centre of frame, D = 190
- TOWMBRL1** Towing member, low mounted under the frame
- TOWMBRL2** Towing member, low and forward mounted under the frame
- TOWMBRL3** Towing member, low and far forward mounted under the frame
- TOWMBRM** Towing member, medium mounted in line with frame lower flange
- RFEC-L** Rear frame end, lower flange cut for centre axle drawbar.
- RFEC-S** Rear frame end, straight cut for regular platform applications
- RFEC-U** Rear frame end, upper cut for tipper applications.
- C-RI4040** Towing coupling, Ringfeder 4040 G-150
- C-RI5055** Towing coupling, Ringfeder 5055 G-150
- C-RO400G** Towing coupling, Rockinger 400 G-150 for 40mm eyes
- C-RO50** Rockinger RO 50 50mm for centre axle trailer
- TOWR-ONE** Towing hitch attached to rear crossmember
- TREL-PK** Trailer electrical preparation kit - chassis/cab wiring
- TREL14** Single 14 pole electrical trailer connector
- TREL15** Single 15 pole electrical trailer connector - ADR certified
- TREL7** 7 pole - 24N trailer electrical suzie
- TREL7-7** 24N and 24S trailer electrical suzies
- TBC-DUO** Duomatic type air line connectors
- TBC-EC** Palm coupling type air line connectors
- TRBR-HCF** Full pressure hand controlled trailer brake
- TRBR-STA** Stationary trailer brake control
- TRB-STRE** Stretch Brake - Automatic low speed trailer brake activation to avoid jack-knifing and improve steerability
- RUP-FOLD** Folding EC approved aluminium rear underrun
- RUP-FOSL** Folding & sliding EC approved aluminium rear underrun
- RFEND-B** Three piece EC approved rear mud wings and spray flaps
- RFEND-T** Rear mud wings, transport mounted
- RFH-BAS** Basic rear wing height
- RFH-HIG** High rear wing height - higher wing tops
- RFH-LOW** Lower rear wing height - shallower wing tops
- ATANK-AL** Aluminium air tanks
- ATANK-ST** Steel air tanks
- TL-LED** Rear lights LED
- BLIGHT-E** Emergency brake light

### WHEELS & TYRES

- RT-AL** Alcoa brushed aluminium rims with standard holes for long stud fixing on all axles
- RT-ALDP** Alcoa Dura-Bright EVO aluminium rims with standard holes long stud fixing on all axles, requires cleaning with a ph neutral solution - washing up liquid.
- RT-ALDPD** Alcoa Dura-Bright EVO aluminium rims with countersunk holes for short stud fixing on all axles, requires cleaning with a ph neutral solution - washing up liquid.
- RT-ALDU** Alcoa brushed aluminium rims with countersunk holes for short stud fixing on all axles
- RT-STEEL** Steel rims on all axles
- WCAP** Aerodynamic hub caps
- BRREC001** Bridgestone ECOPIA H - Energy rating C
- COREC001** Continental ECOPLUS HS3 XL/HD3 - Energy rating B or C depending on size
- COREC002** Continental ECOPLUS HS3/HD3 - Energy rating B or C depending on size
- COREC003** Continental Efficient Pro S/D - Fuel Tyre Recommendation 3 Reduced mileage compared to Conti EcoPlus long haul pattern please consider when selecting these tyres.
- GYREC001** Goodyear FUELMAX S/HL/D - Energy rating B or C depending on size
- GYREC004** Goodyear FUELMAX S - Energy rating B depending on size
- HAREC001** Hankook AL10+ E-Cube Max Long Haul Tyre - Energy rating B
- HAREC002** Hankook AL10+ E-Cube Long Haul Tyre - Energy rating B with wide single
- MIREC001** Michelin XFA2/X-LINE Energy - Fuel tyre Recommendation 1
- MIREC003** Michelin X-LINE Energy - Fuel tyre Recommendation 3
- MIREC004** Michelin X Line Energy F/D2 - Energy rating A
- PIREC001** Pirelli FH:01 Proway - Long Haul Tyre - Energy rating B
- PIREC002** Pirelli FH:01 II Long Haul Tyre - Energy rating B with wide single
- SPWT-D** Spare wheel & tyre with rear tyre pattern
- SPWT-F** Spare wheel & tyre with front tyre pattern
- SWCP-LF** Spare wheel carrier on left side of chassis ahead of rear axle
- SWCP-R** Rear mounted spare wheel carrier
- SWCP-T** Spare wheel supplied temporarily strapped to chassis
- SWCP-TP** Temporary spare wheel carrier on top of chassis frame
- JACK-12T** 12 tonne bottle jack
- TOOL-BAS** Basic Toolkit
- TOOLKIT** Complete tool kit
- INFLAHOS** Tyre inflation hose
- GAUGE-TP** Tyre pressure gauge

### DRIVELINE EQUIPMENT

- Standard Equipment
- Optional Equipment

For more detailed information about cab and powertrain equipment, please refer to separate specification sheets.

For all possible options and combinations of options please consult your Volvo sales contact who can create a specification to match your requirements using the Volvo Sales Support system (VSS).

The factory reserves the right to modify design and change equipment without previous notification. The specification can vary from country to country.

# MODEL RANGE

FH 13 4x2 Platform - Low - Full Air Suspension FH 42 R3LA

<input type="checkbox"/> <b>TRAP-HD</b>	Reinforced gearbox application	<input type="checkbox"/> <b>PTR-FH</b>	Gearbox driven high speed PTO with SAE drive flange
<input type="checkbox"/> <b>TP-CON</b>	Construction Package	<input type="checkbox"/> <b>PTR-FL</b>	Gearbox driven low speed PTO with SAE drive flange
<input type="checkbox"/> <b>TP-DIST</b>	Distribution Package	<input type="checkbox"/> <b>PTRD-D</b>	Gearbox driven HIGH SPEED PTO for two plug-in hydraulic pumps
<input type="checkbox"/> <b>TP-LONG</b>	Long Haul Package	<input type="checkbox"/> <b>PTRD-D1</b>	PTRD-D1 Gearbox driven HIGH SPEED PTO (1 SAE flange & 1 plug-in hydraulic pump)
<input type="checkbox"/> <b>AMSO-AUT</b>	Enhanced I-shift software with manual shift available in auto mode and kickdown facility on accelerator pedal	<input type="checkbox"/> <b>PTRD-D2</b>	Gearbox driven HIGH SPEED PTO (2 SAE flanges & 1 plug-in hyd pump)
<input type="checkbox"/> <b>AVO-ENH</b>	Enhanced software for off road driveability and starting	<input type="checkbox"/> <b>PTRD-F</b>	PTO with 1 DIN + 1 flange connection rear, manual gearbox
<input type="checkbox"/> <b>APF-ENH</b>	I-shift enhanced PTO functions	<input type="checkbox"/> <b>HPG-F101</b>	Parker F1-101 gearbox mounted, fixed displacement, single flow, hydraulic pump
<input type="checkbox"/> <b>RET-TH</b>	Gearbox mounted retarder	<input type="checkbox"/> <b>HPG-F41</b>	Parker F1-41 gearbox mounted, fixed displacement, single flow, hydraulic pump
<input type="checkbox"/> <b>TC-MAOH2</b>	Extra high performance transmission oil cooler - air to oil with front mounted radiator	<input type="checkbox"/> <b>HPG-F51</b>	Parker F1-51 gearbox mounted, fixed displacement, single flow, hydraulic pump
<input type="checkbox"/> <b>TC-MWO</b>	Basic transmission oil cooler - water to oil	<input type="checkbox"/> <b>HPG-F61</b>	Parker F1-61 gearbox mounted, fixed displacement, single flow, hydraulic pump
<input type="checkbox"/> <b>2COM1100</b>	Two cylinder, air compressor, 1100 litres per minute	<input type="checkbox"/> <b>HPG-F81</b>	Parker F1-81 gearbox mounted, fixed displacement, single flow, hydraulic pump
<input checked="" type="checkbox"/> <b>2COMP900</b>	Two cylinder, air compressor, 900 litres per minute	<input type="checkbox"/> <b>EIDLESD</b>	Engine idle shut down
<input type="checkbox"/> <b>CLU-AIRC</b>	Clutchable air compressor	<input checked="" type="checkbox"/> <b>DTRI-PER</b>	Dashboard in darker peregrine greyish brown. Steering wheel grey and door panels in light beige for FH and black for FH16. Dashboard and steering wheel cover in light beige skylark. Door panels in light beige for FH and black for FH16.
<input type="checkbox"/> <b>AIRIN-FR</b>	Front air intake fitted to the underside of cab engine tunnel	<input type="checkbox"/> <b>DTRI-SRA</b>	
<input checked="" type="checkbox"/> <b>AIRIN-HI</b>	Roof mounted air intake behind cab on left hand side	<input checked="" type="checkbox"/> <b>STWPOS-R</b>	RIGHT HAND DRIVE
<input type="checkbox"/> <b>AIRIN-LO</b>	Low level air intake behind cab on left hand side	<input type="checkbox"/> <b>STWM-LE</b>	Leather steering wheel
<input type="checkbox"/> <b>ACL1ST-S</b>	Two stage air filter	<input type="checkbox"/> <b>STGW-AD2</b>	Adjustable steering wheel with neck tilt
<input checked="" type="checkbox"/> <b>24AL110B</b>	110 amp alternator	<input checked="" type="checkbox"/> <b>STGW-ADJ</b>	Adjustable steering wheel
<input type="checkbox"/> <b>24AL120B</b>	120 amp alternator	<input checked="" type="checkbox"/> <b>AIRBAG</b>	SRS Driver's air bag
<input type="checkbox"/> <b>24AL150B</b>	150 amp alternator	<input checked="" type="checkbox"/> <b>DRC-AMII</b>	DPF Regeneration control switch - for manual and switching off regeneration
<input checked="" type="checkbox"/> <b>CCV-C</b>	Closed crankcase engine ventilation	<input checked="" type="checkbox"/> <b>1DAYDIG2</b>	Continental VDO DTCO 4.0 smart tachograph This tachograph can ONLY offer remote download if the option of Dynafleet or an FMS gateway has been specified with this order.
<input checked="" type="checkbox"/> <b>CCV-OX</b>	Closed crankcase ventilation for cold markets	<input type="checkbox"/> <b>1DAYDIGP</b>	Continental VDO DTCO 3.0 digital tachograph For vehicles with long lead time - this includes prep kit for the retrofit of DTCO 4.0 tachograph. For updating to new legal demand for trick registration from 15th June 2019. This tachograph can ONLY offer remote download if the option of Dynafleet or an FMS gateway has been specified with this order.
<input checked="" type="checkbox"/> <b>PRIM-EL</b>	Electrical priming pump	<input type="checkbox"/> <b>ARSL</b>	Additional road speed limit - switch in dashboard
<input type="checkbox"/> <b>PRIM-MAN</b>	Manual priming pump	<input type="checkbox"/> <b>CRUIS-E</b>	Eco cruise control (with eco-roll and I-cruise, controls in steering wheel) Cruise control, standard
<input type="checkbox"/> <b>FUEQ-EH</b>	Fuel line electric heater	<input checked="" type="checkbox"/> <b>CRUISEC</b>	
<input type="checkbox"/> <b>AF-R</b>	Hot fuel recirculation heated fuel filter	<input checked="" type="checkbox"/> <b>ESP-BAS1</b>	Electronic Stability Control
<input type="checkbox"/> <b>FUEFE2LW</b>	Large engine mounted dual fuel filter with water separator	<input type="checkbox"/> <b>ESPC-RO</b>	ESP (Electronic Stability Program) functionality control - Reduced / Off
<input checked="" type="checkbox"/> <b>FUEFE2SW</b>	Small engine mounted dual fuel filter with water separator	<input type="checkbox"/> <b>HWSS-ACB</b>	Adaptive cruise control ACC with forward collision warning and AEBS advanced emergency brake system
<input type="checkbox"/> <b>EST-AID</b>	Air inlet manifold starting heater element	<input checked="" type="checkbox"/> <b>HWSS-FCB</b>	Forward collision warning with AEBS advanced emergency brake system
<input type="checkbox"/> <b>220EBH15</b>	220V/1.5Kw electric engine block heater	<input checked="" type="checkbox"/> <b>LSS-DW</b>	Lane departure-warning system
<input type="checkbox"/> <b>PTER-100</b>	Rear engine mounted power-take-off with DIN 100 / ISO 7646 flange	<input type="checkbox"/> <b>LCS</b>	Lane change support
<input type="checkbox"/> <b>PTER-DIN</b>	Rear engine mounted PTO with DIN5462 (female) splined shaft for a close coupled pump. Models with 3 steering axles will use this to drive the steering pump (AUXPSP)	<input type="checkbox"/> <b>DAS-W</b>	Driver Alert Support system
<input type="checkbox"/> <b>PTER1400</b>	Rear engine mounted power-take-off with SAE 1410 flange	<input type="checkbox"/> <b>RSENS-W</b>	Rain sensing windscreen wipers
<input type="checkbox"/> <b>HPE-F101</b>	Parker F1-101, engine mounted, fixed displacement, single flow, engine mounted hydraulic pump	<input type="checkbox"/> <b>CU-ECC</b>	Electrically controlled air conditioning with sun sensor
<input type="checkbox"/> <b>HPE-F41</b>	Parker F1-41, engine mounted, fixed displacement, single flow, engine mounted hydraulic pump	<input type="checkbox"/> <b>CU-ECC2</b>	Electrically controlled air conditioning with sun sensor, mist sensor, air quality sensor and carbon filter
<input type="checkbox"/> <b>HPE-F51</b>	Parker F1-51, engine mounted, fixed displacement, single flow, engine mounted hydraulic pump	<input checked="" type="checkbox"/> <b>CU-MCC</b>	Climate unit with manual controlled air conditioning
<input type="checkbox"/> <b>HPE-F61</b>	Parker F1-61, engine mounted, fixed displacement, single flow, engine mounted hydraulic pump		
<input type="checkbox"/> <b>HPE-F81</b>	Parker F1-81, engine mounted, fixed displacement, single flow, engine mounted hydraulic pump		
<input type="checkbox"/> <b>HPE-T53</b>	Parker F2-53/53, engine mounted, Fixed displacement, Twin flow engine mounted hydraulic pump		
<input type="checkbox"/> <b>HPE-T70</b>	Parker F2-70/35, engine mounted, Fixed displacement, Twin flow engine mounted hydraulic pump		
<input type="checkbox"/> <b>HPE-V45</b>	Parker VP1-45, variable displacement, single flow, engine mounted hydraulic pump		
<input type="checkbox"/> <b>HPE-V75</b>	Parker VP1-75, variable displacement, single flow, engine mounted hydraulic pump		
<input type="checkbox"/> <b>PTR-D</b>	Gearbox PTO for plug-in pump, 0.71xeng speed		
<input type="checkbox"/> <b>PTR-DH</b>	Gearbox driven high speed PTO for one plug-in hydraulic pump		
<input type="checkbox"/> <b>PTR-DM</b>	Gearbox driven medium speed PTO for one plug-in hydraulic pump		
<input type="checkbox"/> <b>PTR-F</b>	Gearbox driven PTO with rear flange connection		

Standard Equipment

Optional Equipment

For more detailed information about cab and powertrain equipment, please refer to separate specification sheets.

For all possible options and combinations of options please consult your Volvo sales contact who can create a specification to match your requirements using the Volvo Sales Support system (VSS).

The factory reserves the right to modify design and change equipment without previous notification. The specification can vary from country to country.

# MODEL RANGE

FH 13 4x2 Platform - Low - Full Air Suspension FH 42 R3LA

- **IMMOBIL** Thatcham H2 approved immobiliser
- **ALARM-B** Thatcham H1 approved vehicle alarm - Cab only
- **ALARM-E** Enhanced vehicle alarm - Thatcham H1 approved - Cab plus external sensor for body/trailer
- **ALCOLOCK** Alcolock
- **AMPL400** Radio amplifier, 8 channel, 400 W with subwoofer  
Located in right hand external storage box
- **BUPMON** Back up monitor with built in 7" screen on dash and one colour camera supplied loose for fitment by bodybuilder.  
Can accommodate up to 4 cameras for TFL Safe Scheme, CLOCS and FORS.
- **PHONE-PK** Telephone preparation kit (antenna, antenna attachm. cable incl.)
- **WLIFT-AD** Electrical window lift, automatic up/down driver side
- **ISUNS-BS** Side interior sun visor on both sides
- **ISUNS-DS** Driver's side interior sun visor
- **ISUNF-RE** Electrically operated textile interior sun blind
- **ISUNF-RM** Manually operated textile interior sun blind
- **CSPL-BX** Lower center dash open storage box
- **CSPL-BXD** Lower centre dash drawer
- **CSPU-SDR** One open storage and one drawer - behind push open lid - in upper part of the centre dash panel
- **CSPU-SS** Two open storages - behind push open lid in upper part of the centre dash panel
- **ADFS** Two extra DIN slots in front shelf - can be fitted with card or drawer available as an accessory
- **BUPALARM** Reverse alarm
- **RTOLL-PK** Road toll PREPARATION kit for trucks operating with "Toll Collect" in Germany
- **LOADIND** Load indicator with central dashboard display
- **REMC-MF** Multi-functio wireless remote control
- **FIREXT3S** 3kg fire extinguisher mounted on seat base
- **WARNVEST** High visibility warning vest - no sleeves
- **AIDKIT** First aid kit
- **AIDKIT1B** First aid kit
- **WARNLAMP** Portable warning lamp
- **LAMP-IN** Inspection lamp
- **BULBKIT** Bulb and fuse kit
- **WRITEPAD** Writing pad
- **UPHTRI01** Interior trim:  
Seats: Black embossed textile insert, black vinyl bolster with red vinyl side insert  
Cab walls: In matching grey vinyl
- **UPHTRI02** Interior trim:  
Seats: Black striped textile insert, black smooth textile bolster & red vinyl side insert  
Cab walls: Textile with matching grey nuances
- **UPHTRI03** Interior trim:  
Seats: Grey/beige soft striped textile insert, grey/beige smooth textile bolster  
Cab walls: soft textile in matching grey and beige colours
- **UPHTRI05** Interior trim:  
Seats: Light grey leather insert and black leather bolster Cab walls: In matching grey vinyl
- **UPHTRI06** Interior trim:  
Seats: Light grey leather insert and black leather bolster Cab walls: soft textiles in matching grey nuances
- **UPHTRI07** Interior trim:  
Seat: Light grey leather insert black edging  
Cab walls: soft textiles in matching grey, and beige
- **DST-CF4** Driver seat, comfort, suspended, belt in seat
- **DST-CF5** Driver seat, comfort, suspended, belt in seat, electrically heated
- **DST-CF6** Driver seat, comfort, suspended, belt in seat, electrically heated, ventilated
- **DST-LUX1** Deluxe suspended drivers seat features: electrical adjustment with memory function, seatbelt in seat with heated & ventilated cushions
- **DST-LUX2** Deluxe suspended drivers seat features: electrical adjustment with memory function, seatbelt in seat and heated cushions
- **SBD-RED** Red seat belts
- **SBPRE-DS** Driver seat belt pretensioner
- **PST-BAS1** Passenger seat - Fixed non suspended fold up with seatbelt mounted in cab
- **PST-BSL1** Passenger seat - Sliding non suspended fold up with seatbelt mounted in cab
- **PST-CF4** Passenger seat - Comfort suspended with seatbelt mounted in seat
- **PST-CF5** Passenger seat - Comfort suspended & heated with seatbelt mounted in seat
- **PST-RX1** Passenger seat - Fixed non suspended, features: 90 degree rotation and tilt function with seatbelt mounted in cab
- **PST-RX2** Passenger seat - Fixed non suspended, features: 90 degree rotation, tilt and heated functions with seatbelt mounted in cab
- **PST-STD2** Passenger seat - Fixed non suspended with seatbelt mounted in cab
- **PST-STD4** Passenger seat - Standard suspended with seatbelt mounted in cab
- **SBPRE-PS** Passenger seat belt pretensioner
- **ARMRE-BB** Two armrests on both driver and passenger seat.
- **ARMRE-DB** Two armrests, on driver seat only
- **ARMRE-PB** Two armrests, on passenger seat only
- **ARU-BAS** Vinyl upholstered armrest
- **ARU-LEA** Leather upholstered armrest
- **GRABHI-B** Steel instep cab grab handle
- **GRABHI-L** Leather covered instep cab grab handle
- **FMAT-RUB** Rubber floor mats
- **FMAT-TX2** Textile and rubber floor mats
- **LBK80F** Lower fixed bunk with wide middle section 815 in the centre x 2000 mm
- **LBK80FRE** Lower electrically operated recline bunk with wide middle section 815 in the centre x 2000 mm
- **LBK80FRM** Lower manually operated recline bunk with wide middle section 815 in the centre x 2000 mm
- **MATL-FI** Firm lower bunk pocket sprung mattress
- **MATL-SF** Lower flexizone mattress - semi-firm, pocket springs up to 100kg - 16 stone
- **MATL-SO** Lower flexizone mattress - soft, pocket springs up to 85kg - 13.5 stone
- **OLMAT-BA** 35mm mattress overlay protector
- **OLMAT-PR** 50mm premium mattress overlay protector
- **TBK60AD** Height adjustable foldable top bunk 600 x 1900mm
- **TBK60F** Fixed foldable top bunk 600 x 1900mm
- **TBK70AD** Height adjustable foldable top bunk 700 x 1900mm
- **TBK70F** Fixed foldable top bunk 700 x 1900mm
- **PH-CAB2** 1.8kW Air to air night heater
- **PH-ENGCA** Engine and cab night heater
- **CPC-ADV** I-ParkCool - Advanced cab parking cooler with 120V DC electrical compressor
- **SLCP-BAS** Basic sleeper control panel - includes interior light, parking heater, roof hatch and door lock
- **SLCP-LUX** Luxury sleeper control panel - includes interior light, parking heater, roof hatch, door lock, alarm clock, window and radio
- **SAFE** Safe box for driver's personal items
- **RUS-BAS** Rear cab upper storage 154 litres - 300 mm high
- **RUS-HIG** Rear cab upper storage 245 litres - 440 mm high

■ Standard Equipment

□ Optional Equipment

For more detailed information about cab and powertrain equipment, please refer to separate specification sheets.

For all possible options and combinations of options please consult your Volvo sales contact who can create a specification to match your requirements using the Volvo Sales Support system (VSS).

The factory reserves the right to modify design and change equipment without previous notification. The specification can vary from country to country.

# MODEL RANGE

## FH 13 4x2 Platform - Low - Full Air Suspension FH 42 R3LA

<input type="checkbox"/> <b>TABLE</b>	Folding and height adjustable table - on lower bunk	<input type="checkbox"/> <b>HL-CLEAN</b>	Head lamp cleaner - washer jets
<input type="checkbox"/> <b>REFR-RUS</b>	Fridge: 28 litre rear upper wall mounted with dividers	<input type="checkbox"/> <b>HLP-ST</b>	Headlamp protection
<input type="checkbox"/> <b>REFRIG</b>	Fridge: 33 litre under bunk mounted with freezer dividers	<input type="checkbox"/> <b>HL-ADJ</b>	Headlight adjustment - Switch in cab
<input type="checkbox"/> <b>MICRO-PK</b>	Preparation kit for microwave oven (wiring)	<input type="checkbox"/> <b>DRIVL2</b>	Two spot lamps
<input type="checkbox"/> <b>BOTH-D</b>	One bottle holder under dashboard centre section	<input type="checkbox"/> <b>UDRIVL</b>	Without auxiliary driving lights
<input type="checkbox"/> <b>BOTH-DL</b>	Two bottle holders, one under dashboard centre section and one mounted to the under bunk drawer	<input checked="" type="checkbox"/> <b>FOGL-WC</b>	Front fog lights
<input type="checkbox"/> <b>BOTH-L</b>	One bottle holder mounted to the under bunk drawer	<input type="checkbox"/> <b>CL-STAT</b>	Static corner lights
<input type="checkbox"/> <b>COFMA-PK</b>	Coffee maker, preparation kit.	<input type="checkbox"/> <b>ASL-RF2</b>	Two Hella H11 70W spotlamps in sign box - only available with the basic headlight and no lower driving lights.
<input checked="" type="checkbox"/> <b>INLI-BAS</b>	Interior white LED lights - basic	<input type="checkbox"/> <b>BEACOA2F</b>	Two front roof mounted amber beacon rotating warning lamps
<input type="checkbox"/> <b>INLI-NL</b>	Interior white and red night LED light with no dimmer	<input type="checkbox"/> <b>BEACOA2R</b>	Two rear roof mounted (on accessory bracket) amber beacon flashing warning LED lamps
<input type="checkbox"/> <b>INLI-NLD</b>	Interior white and red night LED light with dimmer	<input type="checkbox"/> <b>BEACON-P</b>	Roof beacon wire preparation
<input type="checkbox"/> <b>ARL-FLEX</b>	Two flexible reading lamps (snake lamps)	<input type="checkbox"/> <b>BEACONA4</b>	Four roof mounted (2 front/2 rear) amber beacon rotating warning lamps
<input checked="" type="checkbox"/> <b>RH-EE</b>	Without roof hatch -Tinted glass emergency exit ONLY	<input type="checkbox"/> <b>CABPT-R1</b>	Single outlet for roof mounted accessories
<input type="checkbox"/> <b>RH-ETR</b>	Glass roof & escape hatch - Electrically operated, tinted glass with rear opening	<input checked="" type="checkbox"/> <b>CABPT-R2</b>	Twin outlets for roof mounted accessories.
<input type="checkbox"/> <b>RH-MTR</b>	Glass roof & escape hatch - Manually operated, tinted glass with rear opening	<input type="checkbox"/> <b>SPOTP-F</b>	Spotlamp preparation in front, max 280W
<input type="checkbox"/> <b>URH</b>	Without roof hatch	<input type="checkbox"/> <b>SPOTP-R</b>	Spotlamp preparation on roof, max 280W
<input type="checkbox"/> <b>SWIND-BS</b>	Extra side window on both sides behind "B" pillar	<input type="checkbox"/> <b>SPOTP-RF</b>	Spotlamp preparation on cab roof and in cab front, max 2x280W
<input checked="" type="checkbox"/> <b>VANMIR</b>	Vanity mirror in front shelf	<input type="checkbox"/> <b>ROS-IL2</b>	Preparation kit for illuminated roof sign with switch loose in cab, fit after registration
<input type="checkbox"/> <b>AS-FUS</b>	Extra shelf in front upper storage compartments	<input type="checkbox"/> <b>CSGN-GTR</b>	"Globetrotter" headboard logo
<input type="checkbox"/> <b>INFOT-PK</b>	Preparation kit for the mounting of a flat screen TV in cab above the driver's door, includes bracket, electrical and speaker connections	<input checked="" type="checkbox"/> <b>HORN-F1S</b>	Single tone Jericho air horn chassis mounted
		<input type="checkbox"/> <b>HORN-R2S</b>	Two roof mounted air horns
		<input type="checkbox"/> <b>ANT-CBR</b>	Roof mounted antenna for CB radio, single aerial
		<input type="checkbox"/> <b>ACCBR-AP</b>	Front, middle & rear roof mounted accessory brackets
		<input type="checkbox"/> <b>ACCBR-F</b>	Front roof mounted accessory bracket
		<input type="checkbox"/> <b>ACCBR-FM</b>	Front & middle roof mounted accessory brackets
		<input type="checkbox"/> <b>ACCBR-FR</b>	Front & rear roof mounted accessory brackets
		<input type="checkbox"/> <b>ACCBR-M</b>	Middle roof mounted accessory bracket
		<input type="checkbox"/> <b>ACCBR-R</b>	Rear roof mounted accessory bracket
		<input type="checkbox"/> <b>ACCBR-RM</b>	Rear & middle roof mounted accessory brackets
		<input type="checkbox"/> <b>STUC-B</b>	Left and right storage compartments under cab
		<input type="checkbox"/> <b>STUC-L</b>	Left storage compartment under cab
		<input type="checkbox"/> <b>STUC-R</b>	Right storage compartment under cab
		<input type="checkbox"/> <b>REFS-TW</b>	White cab conspicuity markings by packed in cab
		<input type="checkbox"/> <b>REFS-TY</b>	Yellow cab conspicuity markings by packed in cab
			<b>SUPERSTRUCTURE PREPARATIONS</b>
		<input type="checkbox"/> <b>SRWL-PK</b>	Wiring preparation for side & rear work/reverse lamps on side of chassis and a three-position switch, maximum 280W
		<input type="checkbox"/> <b>SWL-2FW</b>	Two H3 70W white front chassis mounted (LH/RH side) working lamps and a 2-position switch (On/Off)
		<input type="checkbox"/> <b>SWL-2RW</b>	Two H3 70W white rear chassis mounted (LH/RH side) working lamps and a 2-position switch (On/Off)
		<input type="checkbox"/> <b>SWL-4W</b>	4 H3 70W white front (2) & rear (2) chassis mtd (LH/RH side) working lamps & 2-pos switch (On/Off)
		<input type="checkbox"/> <b>SWL-PK</b>	Wiring preparation for side work/reverse lamps on side of chassis and a three-position switch, maximum 280W
		<input type="checkbox"/> <b>WLC-H2W</b>	Two H3/70W white working lamps high mounted on the back of cab
		<input type="checkbox"/> <b>WLC-PKCH</b>	Preparation kit (cables and switch) for cab mounted chassis working lamp
		<input type="checkbox"/> <b>WLC-PKH</b>	Preparation kit, cables and switch for high mounted working lamps back of cab
		<input type="checkbox"/> <b>WLC-PKL</b>	Preparation kit, cables and switch for low mounted working lamps back of cab
		<input type="checkbox"/> <b>WLC-PKLH</b>	Preparation kit - cables and switch for low and high mounted working lamps back of cab.
		<input checked="" type="checkbox"/> <b>ECBB-BAS</b>	Body builder electrical centre without body builder module
		<input type="checkbox"/> <b>ECBB-HIG</b>	Body builder electrical centre with body builder module

Standard Equipment

Optional Equipment

For more detailed information about cab and powertrain equipment, please refer to separate specification sheets.

For all possible options and combinations of options please consult your Volvo sales contact who can create a specification to match your requirements using the Volvo Sales Support system (VSS).

The factory reserves the right to modify design and change equipment without previous notification. The specification can vary from country to country.

# MODEL RANGE

## FH 13 4x2 Platform - Low - Full Air Suspension FH 42 R3LA

---

- **BBCHAS1** One 7-pole connector for Body builder interface
- **BBCHAS3** Three 7-pole connectors for Body builder interface
- **BEPR-T2** Body builder electrical software preparation for tipper with remote control
- **EXSTER** External steering control, with VDS and bodybuilder module
- **TD-LED** Trailer detection with LED sensing
- **FRFS-BS** Frame rail free space on both sides to give space for crane legs or other equipment.
- **FBA-BTF** Lower front body attachments for torsionally flexible - platform body
- **FBA-BTSF** Lower front body attachments for torsionally semi-flexible body - box or curtainsider
- **HBA-FSFB** Holes for body attachments - flexible/semi-flexible body
- **HBA-SB** Holes for body attachments - stiff body
- **RBA-T2** Lower rear body attachments for helper frame
- **CRANEPK1** Crane plates mounted to frame, for cranes up to 10 tonne metre capacity
- **CRANEPK2** Crane plates mounted to frame, for cranes up to 20 tonne metre capacity
- **CRANEPK4** Crane plates mounted to frame, for cranes up to 40 tonne metre capacity
- **AUXL-SPK** Electrical preparation kit - wiring and switch for snow plough lights
- **TAILPRE2** Tail lift preparation kit, wireless remote operation
- **TAILPREP** Taillift preparation kit - cab switch and warning in driver display
- **AESW2** Two Body builder bistable electrical switches (marked AUX1 / AUX2)
- **AESW2PK** 2 Body builder bistable el.switches (marked AUX1/AUX2) and prep. for 4 more switches
- **AUXSW-4** Wiring for 4 extra switches (from Body builder electrical centre to switch positions)

### DELIVERY SERVICES

- **TGW-4GWL** GSM/GPRS/4G modem, LTE & WLAN for telematics gateway
- **FMS-PK** Fleet Management System gateway

**VOLVO**

Volvo Truck Corporation

volvotrucks.com