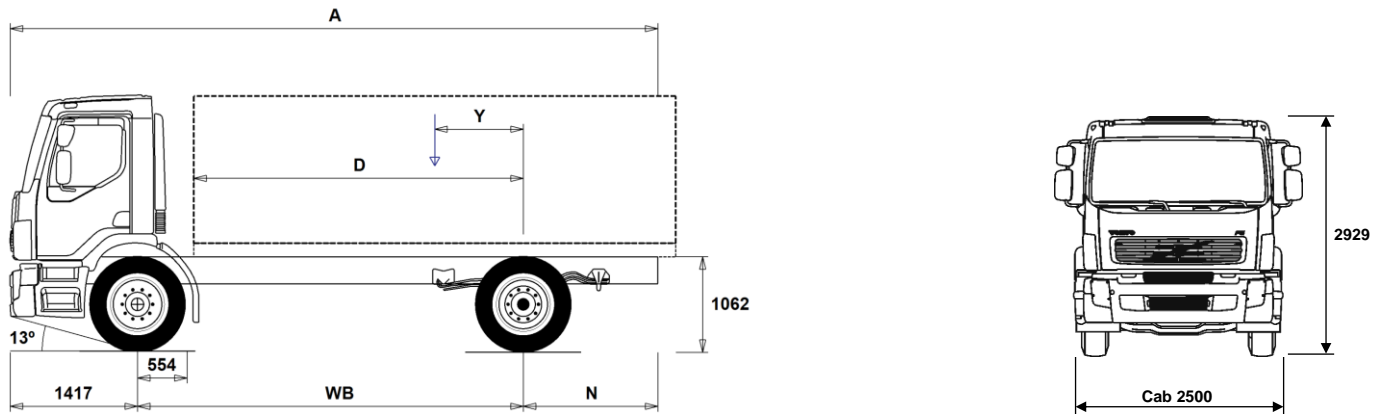


MODEL RANGE



Volvo Trucks. Driving Progress

FE 4x2 Rigid - Municipal Short Springs FES42 R HDR



Chassis Dimensions [mm]

WB Wheelbase	3695	3895	4095	4295	4495	4745
A Overall Chassis Length	6037	6237	6437	6637	6837	7087
D Center of rear axle to front of body	3067	3267	3467	3667	3867	4117
N Rear Overhang	925	925	925	925	925	925
Y Center of Gravity for Payload (Min.)	777	818	859	901	940	990
Y Center of Gravity for Payload (Max.)	1075	1133	1191	1249	1305	1376

Chassis Weights [kg]

Front Axle	3895	3900	3905	3910	3920	3930
Rear Axle	1715	1720	1730	1740	1750	1760
Kerb Weight	5610	5620	5635	5650	5670	5690
Payload (including body, driver, fuel, etc.)	12390	12380	12365	12350	12330	12310

Turning Diameter [mm]

Turning Circle Diameter Kerb to Kerb	13400	14100	14700	15300	15900	16700
Turning Circle Diameter Wall to Wall	14800	15400	16100	16700	17300	18100

Plated Weights [kg]

	Plated	Design
Gross Vehicle Weight	18000	18000
Gross Combination Weight	40000	
Front Axle	7500	7500
Rear Axle	11500	13000

Important Notes

Chassis Dimensions

Cab Height: +3 mm for L2H1.

Front Axle to Back of Cab: +210 mm for L2H1.

D-measure includes a front clearance of 74 mm and for rigid trucks also a subframe of 120 mm.

Height can vary ± 20 mm for leaf and ± 10 mm for air suspension.

All dimensions are for unladen chassis and any tag axles down.

Weight and dimensions are based upon the following tyres:

Front Axle Tyres: 315/80R22.5

Drive Axle Tyres: 315/80R22.5

Chassis weight includes oil, water, AdBlue, 70 litres fuel and without driver. Kerb weight can vary ± 1.5%.

Turning diameters are theoretically calculated.

Legal weights can differ from country to country.

For more detailed weight information, including optional equipment weights, ask your Volvo sales contact to enter your specification into the Volvo Weight Information system (WIS).

Do NOT use this drawing for bodybuilding. Refer to Volvo Bodybuilder Instructions and chassis assembly drawing 20824881.

MODEL RANGE

FE 4x2 Rigid - Municipal Short Springs FES42 R HDR

CORE COMPONENTS

- TOWF-N1B** One front towing device, two towing positions
- TOWF-NO1** One front towing device
- CHH-STD** Standard chassis frame height above ground
- L1H1** Short day cab - with steel safety cage design Designed and built to Swedish impact and ECE R29 regulations
- L2H1** Medium cab - with steel safety cage design Designed and built to Swedish impact and ECE R29 regulations
- EU3** Euro 3 Engine emission control.
- EU5EEV** Euro 5 EEV Enhanced Environmental Vehicle
- EU5SCR-M** Euro 5 Mandatory engine emission level.
- D7F240** D7F240 7.2l engine developing 240hp Max torque 940Nm at 1200-1800rpm.
- D7F260** D7F260 7.2l engine developing 260hp Max torque 1010Nm at 1200-1800rpm.
- D7F300** D7F300 7.2l engine developing 300hp Max torque 1160Nm at 1200-1800rpm.
- D7F340** D7F340 7.2l engine developing 340hp Max torque 1300Nm at 1200-1900rpm.
- EBR-CBJ3** Engine brake producing 188kW at 2800rpm controlled by steering column switch
- EBR-EPG** Exhaust brake producing 130kW at 2800rpm controlled by steering column switch
- AL306** Allison AL306 6-speed automatic gearbox (If a PTO is required it must specified from the factory)
- STO1309** STO1309 9-speed range change overdrive gearbox
- ZTO1006** ZTO1006 6-speed overdrive gearbox
- ZTO1109** ZTO1109 9-speed range change overdrive gearbox
- CS39A-O** Single plate 395mm (16") clutch
- CS43B-O** Single plate 430mm (17") clutch
- FAL7.5** Front axle design capacity 7.5 tonnes
- FAL8.0** Front axle design capacity 8.0 tonnes
- FST-PAR** Parabolic front springs
- RAD-L90** 90mm 'S' parabolic rear springs
- RS1370HV** RS1370HV hub reduction 13tonne drive axle with differential lock
- RSS1344C** RS1344C single reduction rear axle - design GCW 44tonne with differential lock
- RAL13** Rear axle design capacity 13 tonnes
- RST-PAR4** Short parabolic rear springs
- RSTAB1** Rear anti-roll bar
- UBOGLIFT** Without tag axle lift

Packages

- AUDIOBAS**
- AUDIODAB**
- AUDIOPK**

TRUCK USE

- STWPOS-R** Right hand drive

CHASSIS

- BRAKE-DV** Ventilated disc brakes
- EBS-MED** EBS+ package including traction control & hill hold
- EBS-STD** EBS standard package without traction control
- FRAME77** Frame thickness 7mm
- FRAMEHIG** Frame section height 300mm
- 2BATT170** 2 x 170 Ah capacity batteries on left hand side
- 2BATT225** 2 x 225 Ah capacity batteries on left hand side
- EXD-REAR** Horizontal silencer - catalyst, with rear exhaust outlet
- EXD-VERL** Horizontal silencer - catalyst, with vertical exhaust outlet

- Standard Equipment
- Optional Equipment

For more detailed information about cab and powertrain equipment, please refer to separate specification sheets.

For all possible options and combinations of options please consult your Volvo sales contact who can create a specification to match your requirements using the Volvo Sales Support system (VSS).

The factory reserves the right to modify design and change equipment without previous notification. The specification can vary from country to country.

- R315A56** 315litre right hand aluminium 560 mm D-shaped fuel tank Min volume 215l Max volume 415l
- UL-FUEL** Without left fuel tank
- XTL315AL** Left extra fuel aluminium tank, 315 litre
- FUFF-ATS** Fuel filling anti-syphon device
- ATANK-AL** Aluminium air tanks
- ADTR70** 70 litre plastic AdBlue tank on right hand side
- SWCP-LF** Spare wheel carrier on left side, in front of rear axle.
- SWCP-T** Spare wheel supplied temporarily strapped to chassis
- SWCP-TP** Spare wheel transport mounted on frame, (spare wheel carrier not included)
- WHC-FIX1** One wheel chock
- WHC-FIX2** Two wheel chocks
- TB-L33** Toolbox 330 x 330 mm on the left side
- C-RO50**
- RFEND-T** Mudwings on drive axle for transportation only

WHEELS & TYRES

- RT-ALP**
- RT-STEEL** Steel rims on all axles
- SPWT-F** Spare wheel & tyre with front tyre pattern

DRIVELINE EQUIPMENT

- ACL1ST-S** Air filter with secondary filter element
- ENGENV1** Engine working environment -40° to +40°C
- ENGENV2** Engine working environment -15° to +40°C
- ENGENV3** Engine working environment -25° to +40°C
- COOLC40** Cooling capacity 40° C
- COOLC48** Cooling capacity 48° C
- AF-E** Auxiliary fuel filter, electrically heated
- EST-AID** Engine start preheating element
- STHLP** Start help
- ETC** Electronic throttle control - dash mounted switches that control PTO speed
- 220EBH08** Engine block heater, 220V/0.8kW
- PTER-DIN** Rear engine mounted PTO with DIN5462 (female) splined shaft for a close coupled pump
- PTER1400** Rear engine mounted power-take-off with SAE 1410 flange
- PR-HP4T** Live-drive PTO for Allison gearbox output 400Nm for hydraulic pump connection mounted on top of the torque converter
- PR-HP4TL** Live-drive low speed PTO for Allison gearbox output 400Nm for hydraulic pump connection mounted on top of the torque converter
- PR-HP6T** Live-drive PTO for Allison gearbox output 600Nm for hydraulic pump connection mounted on top of the torque converter
- PR-HP6TH** Live-drive high speed PTO for Allison gearbox output 600Nm for hydraulic pump connection mounted on top of the torque converter
- PR-HP6TL** Live-drive low speed PTO for Allison gearbox output 600Nm for hydraulic pump connection mounted on top of the torque converter
- PTR-FH1** Rear PTO Gearbox S81 flange DIN connection
- PTR-FH2** Rear PTO Gearbox S84 flange DIN connection
- PTR-FH5** Rear PTO Gearbox S88 flange DIN connection
- PTR-PH1** Rear PTO Gearbox S81 pump DIN connection
- PTR-PH2** Rear PTO Gearbox S84 pump DIN connection
- PTR-PH4** Rear PTO Gearbox S88 pump DIN connection
- PTR-PK** Electrical and solenoid prep kit for gearbox PTO
- PTR-ZF2** Rear Power Take Off flange DIN connection
- PTR-ZF3** Rear Power Take Off Gearbox pump DIN connection

MODEL RANGE

FE 4x2 Rigid - Municipal Short Springs FES42 R HDR

- PTR-ZF4** Rear PTO Gearbox 320Nm flange connection
 - PTR-ZF5** Rear PTO Gearbox 320Nm pump connection
 - PTRA-PH2** Add PTO for 9sp box twin S84 pump conn
 - HPG-F101** Gearbox mounted hydraulic pump F1-101, fixed displacement, single flow.
 - HPG-F41** Gearbox mounted hydraulic pump F1-41, fixed displacement, single flow.
 - HPG-F51** Gearbox mounted hydraulic pump F1-51, fixed displacement, single flow.
 - HPG-F61** Gearbox mounted hydraulic pump F1-61, fixed displacement, single flow.
 - HPG-F81** Gearbox mounted hydraulic pump F1-81, fixed displacement, single flow.
 - ENGPROT** Engine protection
- ### CAB INTERIOR
- DST-CF5** Driver seat comfort air suspended, heated, with seatbelt built into the seat and adjustments for the following , backrest tilt, height, front tilt, length, adjustable shock absorber and rapid descent.
 - DST-ECO A**
 - DST-STD2**
 - DST-STD8**
 - PST-ECO A**
 - PST-STD6**
 - PST-STD7**
 - APST** Additional passenger seat.
 - ARMRE-PS** Single armrest on passenger seat next to the driver.
 - ETS-FL** Engine tunnel storebox, adjustable on engine tunnel, features large drawer, bottle holder, pullout table and 12/24v electric sockets.
 - ETS-FLRH** Engine tunnel storebox, adjustable on engine tunnel, features large drawer, bottle holder, lifting top, pullout table and 12/24v electric sockets.
 - ETS-FMR** Engine tunnel storebox, fixed, features two large boxes, rear one with lift of lid, front one with folding flap too form table, front oddments tray and 24v electric socket.
 - BUNKBOX** Removable open storage bin behind seats
 - FOHS-BAS** Front overhead open storage pockets with nets
 - FOHS-COV** Front overhead storage lockers with doors
 - REF-IC28** Fridge 28litre mounted on engine tunnel
 - RWCLOH-H** Clothes rail on rear wall
 - CU-HEAT** Conventional heater unit
 - CU-MCC** Manually operated air conditioning
 - RH1ELEG** Roof hatch - glass, electrically operated.
 - RH1ELEP** Roof hatch - electrically operated.
 - RH1MANP** Roof hatch - manually operated.
 - URHATCH** Roof hatch - not fitted.
 - WIND-HF** Heated windscreen
 - AWIND-RF** Rear window without curtains.
 - SWIND-BS** Side windows in rear cab panels both sides
 - SWIND-PS** Side rear nearside passenger window
 - AWIND-DP** Lower kerb window on passenger door
 - WLIFT-EB** Electric windows both sides
 - WLIFT-ME** Mechanical window lift
 - LOCK-ALL** Central locking with remote control and remote electronic battery master switch.
Note there is no manual master switch on the chassis
 - LOCK-MAN** Manual locking driver and passenger doors.
 - LOCK-REM** Central door locking with remote control
 - IL-DOOR** White step light in lower door
 - ISUNV-S** Internal side sunvisor
- CBM-RSH** Aerial connection for CB radio supplied in front overhead shelf
 - ACON-USB** Audio USB connector
 - XCON-AUD** 3.5mm audio mini jack socket
 - AIP-BT** Bluetooth phone capability
 - INST-BAS** Basic instruments & concise driver's information display
Includes - Speedometer, Rev counter, single air pressure & fuel level gauges
 - INST-MED** Medium instruments & driver's information display
Includes - Speedometer & Rev counter
Gauges for fuel level, Oil pressure, Turbo boost, Coolant temperature & individual front and rear air circuits
 - FMS** Fleet Management System gateway
 - DOL12S12** 12 volt dash single outlet
 - DOL24+12**
 - IMMOAL** Immobiliser and cab alarm
 - IMMOUAL** Immobiliser
 - BUPALARM** Reverse alarm
 - REM-AUD** Remote control for audio system
 - FIRE2SWE** 2kg fire extinguisher located by the driver's seat next to the door
 - WARNVEST** High visibility warning vest - no sleeves
 - WARNTRI1** One warning triangle
 - WARNTRI2** Two warning triangles
 - WARNTRI3** Three warning triangles
 - AIDKIT** First aid kit - Legal demand for EU markets including delivery to EU bodybuilder
 - TACHOP2** Continental VDO DTCO 2.0 digital tachograph for ADR applications can be modified for remote download
 - TACHOP4** Continental VDO DTCO 2.0 digital tachograph can be modified for remote download
 - CRUISEC** Cruise control with switches in the steering wheel
 - JACK-10T** 10 tonne bottle jack
 - INFLAHOS** Tyre inflation hose
 - GAUGE-TP** Tyre pressure gauge
 - MAT-RUB** Rubber Mats
 - XINS-CAB** Extra insulation in cab
 - XINS-MCA** Extra insulation medium level in cab
 - WRITEPAD** Writing pad
- ### CAB EXTERIOR
- CTILT-P-E** Electrically operated hydraulic cab tilt
 - CTILT-P-M** Manually operated hydraulic cab tilt
 - CABS-FUA** Rear cab suspension - Air
 - CABS-MEC** Rear cab suspension - coil spring
 - AUXFS-FF** Auxiliary folding front footstep
 - MIRCOMF** Electrically heated and operated main mirrors with wide angle mirror on both sides and kerb mirror on the passenger side.
 - MIRSTD** Electrically heated main mirrors with wide angle mirror on both sides and kerb mirror on the passenger side.
 - CMIR-FF** Close view front mirror
 - SUNV-URL** Exterior sunvisor
 - HL-CLEAN** Head lamp cleaner jet
 - HL-ASYML** Head lamp asymmetric, right hand drive
 - HL-ASYMR** Head lamp asymmetric, left hand drive
 - LOWB-DAY** Day running light
 - LOWB-STD** Standard low beam

Standard Equipment

Optional Equipment

For more detailed information about cab and powertrain equipment, please refer to separate specification sheets.

For all possible options and combinations of options please consult your Volvo sales contact who can create a specification to match your requirements using the Volvo Sales Support system (VSS).

The factory reserves the right to modify design and change equipment without previous notification. The specification can vary from country to country.

MODEL RANGE

FE 4x2 Rigid - Municipal Short Springs FES42 R HDR

- **FOGL-WB** Fog lights located in the corner of the front bumper
- **BEACON-P** Beacon preparation
- **BEACONA2** Two amber beacons directly mounted to cab roof
- **AHORN-D** Twin roof mounted air horns
- **ACCBR-PK** Accessory roof bracket - preparation kit
- **ACCBRKTF** Accessory roof bracket - front

SUPERSTRUCTURE PREPARATIONS

- **TRBR-UPT** Trailer brake control, without pressure trailer control
- **BBP-CF** Body Builder preparation, wiring pass through in cab floor
- **ELCE-CK** Electrical interface for Body Builder
- **ELCE-PK1** Electrical preparation kit for Body Builder does not include bodybuilder module
- **BODATTS** Pre-punched holes for TANKER flexible body attachments - mountings not supplied.
- **BODATTSF** Body attachments, semi-flexible
- **UBODATT** Without body attachments - punched holes

DELIVERY SERVICES

- **LAMP-IN** Inspection lamp

VOLVO

Volvo Truck Corporation
volvotrucks.com