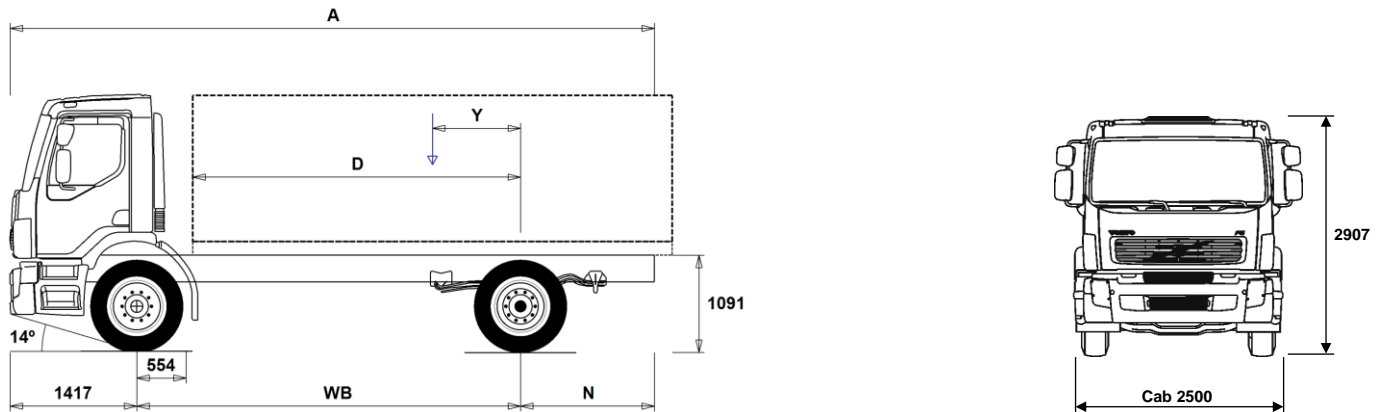


MODEL RANGE



Volvo Trucks. Driving Progress

FE 4x2 Rigid - Steel Suspension FEE42 R HD



Chassis Dimensions [mm]

WB Wheelbase	3495	3695	3895	4095	4295	4495	4745	4995	5245	5495	5795	6095	6445
A Overall Chassis Length	6607	6907	7257	7557	7907	8207	8607	9007	9407	9807	10307	10757	11307
D Center of rear axle to front of body	2867	3067	3267	3467	3667	3867	4117	4367	4617	4867	5167	5467	5817
N Rear Overhang	1695	1795	1945	2045	2195	2295	2445	2595	2745	2895	3095	3245	3445
Y Center of Gravity for Payload (Min.)	759	803	847	890	935	980	1034	1088	1139	1195	1261	1326	1403
Y Center of Gravity for Payload (Max.)	928	983	1037	1090	1145	1199	1266	1333	1399	1468	1549	1629	1725

Chassis Weights [kg]

Front Axle	3815	3815	3820	3825	3825	3825	3835	3840	3865	3865	3870	3880	3885
Rear Axle	1825	1840	1850	1865	1885	1895	1925	1940	2000	2020	2045	2075	2100
Kerb Weight	5640	5655	5670	5690	5710	5720	5760	5780	5865	5885	5915	5955	5985
Payload (including body, driver, fuel, etc.)	12360	12345	12330	12310	12290	12280	12240	12220	12135	12115	12085	12045	12015

Turning Diameter [mm]

Turning Circle Diameter Kerb to Kerb	12800	13400	14000	14700	15300	15900	16700	17400	18200	19000	19900	20800	21900
Turning Circle Diameter Wall to Wall	14200	14800	15400	16100	16700	17300	18100	18800	19600	20400	21300	22200	23300

Plated Weights [kg]

	Plated	Design
Gross Vehicle Weight	18000	18000
Gross Combination Weight	40000	
Front Axle	7100	7100
Rear Axle	11500	13000

Important Notes

Chassis Dimensions

Cab Height: +3 mm for L2H1.
 Front Axle to Back of Cab: +210 mm for L2H1, +381 mm for L3H1.
 D-measure includes a front clearance of 74 mm and for rigid trucks also a subframe of 120 mm.
 Height can vary ± 20 mm for leaf and ± 10 mm for air suspension.
 All dimensions are for unladen chassis and any tag axles down.

Weight and dimensions are based upon the following tyres:

Front Axle Tyres:	295/80R22.5
Drive Axle Tyres:	295/80R22.5

Chassis weight includes oil, water, AdBlue, 70 litres fuel and without driver.
 Kerb weight can vary $\pm 1.5\%$.

Turning diameters are theoretically calculated.

Legal weights can differ from country to country.

For more detailed weight information, including optional equipment weights, ask your Volvo sales contact to enter your specification into the Volvo Weight Information system (WIS).

Do NOT use this drawing for bodybuilding. Refer to Volvo Bodybuilder Instructions and chassis assembly drawing 20824867.

MODEL RANGE

FE 4x2 Rigid - Steel Suspension FEE42 R HD

CORE COMPONENTS

- TOWF-N1B** One front towing device, two towing positions
- TOWF-NO1** One front towing device
- L1H1** Short day cab - with steel safety cage design
Designed and built to Swedish impact and ECE R29 regulations
- L2H1** Medium cab - with steel safety cage design
Designed and built to Swedish impact and ECE R29 regulations
- L3H1** Sleeper cab - with steel safety cage design
Designed and built to Swedish impact and ECE R29 regulations
- EU3** Euro 3 Engine emission control.
- EU4SCR** Euro 4 Selective Catalytic Reduction (SCR) engine emission control.
- EU5EEV** Euro 5 EEV Enhanced Environmental Vehicle
- EU5SCR-M** Euro 5 Mandatory engine emission level.
- EOBD-BAS** On Board Diagnostic (OBD) emission control display
- D7E240** D7E240 7.2l engine developing 240hp
Max torque 920Nm at 1200-1700rpm.
- D7E280** D7E280 7.2l engine developing 280hp
Max torque 1050Nm at 1200-1700rpm.
- D7E320** D7E320 7.2l engine developing 320hp
Max torque 1200Nm at 1200-1700rpm.
- D7F240** D7F240 7.2l engine developing 240hp
Max torque 940Nm at 1200-1800rpm.
- D7F260** D7F260 7.2l engine developing 260hp
Max torque 1010Nm at 1200-1800rpm.
- D7F300** D7F300 7.2l engine developing 300hp
Max torque 1160Nm at 1200-1800rpm.
- D7F340** D7F340 7.2l engine developing 340hp
Max torque 1300Nm at 1200-1900rpm.
- EBR-CBJ3** Engine brake producing 188kW at 2800rpm
controlled by steering column switch
- EBR-EPG** Exhaust brake producing 130kW at 2800rpm
controlled by steering column switch
- AL306** Allison AL306 6-speed automatic gearbox
(If a PTO is required it must specified from the factory)
- STO1309** STO1309 9-speed range change overdrive gearbox
- ZTO1006** ZTO1006 6-speed overdrive gearbox
- ZTO1109** ZTO1109 9-speed range change overdrive gearbox
- CS39A-O** Single plate 395mm (16") clutch
- CS43B-O** Single plate 430mm (17") clutch
- FAL7.1** Front axle design capacity 7.1 tonnes
- FAL7.5** Front axle design capacity 7.5 tonnes
- FAL8.0** Front axle design capacity 8.0 tonnes
- FST-PAR** Parabolic front springs
- RAD-L90** 90mm 'S' parabolic rear springs
- RS1370HV** RS1370HV hub reduction 13tonne drive axle with differential lock
- RSS1344C** RS1344C single reduction rear axle - design GCW 44tonne
with differential lock
- RAL13** Rear axle design capacity 13 tonnes
- RST-PAR1** Parabolic rear springs
- RSTAB1** Rear anti-roll bar
- UBOGLIFT** Without tag axle lift

Packages

- AUDIOBAS**
- AUDIODAB**
- AUDIOPK**

TRUCK USE

- ADR2** ADR package for transportation of dangerous goods on road
(Note does NOT include safe loading pass package if required
this is quoted seperately)

- Standard Equipment
- Optional Equipment

For more detailed information about cab and powertrain equipment, please refer to separate specification sheets.

For all possible options and combinations of options please consult your Volvo sales contact who can create a specification to match your requirements using the Volvo Sales Support system (VSS).

The factory reserves the right to modify design and change equipment without previous notification.
The specification can vary from country to country.

- STWPOS-R** Right hand drive

CHASSIS

- BRAKE-DV** Ventilated disc brakes
- EBS-MED** EBS+ package including traction control & hill hold
- EBS-STD** EBS standard package without traction control
- FRAME77** Frame thickness 7mm
- FRAME88** Frame thickness 8mm
- FRAMEHIG** Frame section height 300mm
- FRACLOS** With frame closing
- 2BATT170** 2 x 170 Ah capacity batteries on left hand side
- 2BATT225** 2 x 225 Ah capacity batteries on left hand side
- EXD-LEFT** Horizontal silencer - catalyst, with left exhaust outlet
- EXD-REAR** Horizontal silencer - catalyst, with rear exhaust outlet
- EXD-VERL** Horizontal silencer - catalyst, with vertical exhaust outlet
- R315A56** 315litre right hand aluminium 560 mm D-shaped fuel tank
Min volume 215l
Max volume 830l
- UL-FUEL** Without left fuel tank
- XTL315AL** Left extra fuel aluminium tank, 315 litre
- FUFF-ATS** Fuel filling anti-syphon device
- ATANK-AL** Aluminium air tanks
- ADTR70** 70 litre plastic AdBlue tank on right hand side
- SWCP-LF** Spare wheel carrier on left side, in front of rear axle.
- SWCP-R** Spare wheel carrier rear mounted below frame.
- SWCP-T** Spare wheel supplied temporarily strapped to chassis
- SWCP-TP** Spare wheel transport mounted on frame, (spare wheel carrier not included)
- WHC-FIX1** One wheel chock
- WHC-FIX2** Two wheel chocks
- TB-L33** Toolbox 330 x 330 mm on the left side
- TB-L75** Toolbox 754 mm on the left side
- TOWMBRH** Towing member, high position, mounted in centre of frame
- C-RO400G** Towing coupling, Rockinger 400 G-150
- C-RO40AG** Towing coupling, Rockinger 400 G-145
- C-RO430G** Towing coupling, Rockinger 430 G-150
- C-RO43AG** Towing coupling, Rockinger 430 G-145
- TOWR-ONE** Towing hitch attached to rear crossmember
- RUP-FIX2** Fixed rear EC approved aluminium underrun
- RFEND-T** Mudwings on drive axle for transportation only

WHEELS & TYRES

- RT-ALP**
- RT-STEEL** Steel rims on all axles
- SPWT-F** Spare wheel & tyre with front tyre pattern

DRIVELINE EQUIPMENT

- ACL1ST-S** Air filter with secondary filter element
- ACL2ST** Air cleaner with extra filter element
- ENGENV1** Engine working environment -40° to +40°C
- ENGENV2** Engine working environment -15° to +40°C
- ENGENV3** Engine working environment -25° to +40°C
- COOLC40** Cooling capacity 40° C
- COOLC48** Cooling capacity 48° C
- AF-E** Auxiliary fuel filter, electrically heated
- EST-AID** Engine start preheating element
- STHLP** Start help
- ETC** Electronic throttle control - dash mounted switches that control

MODEL RANGE

FE 4x2 Rigid - Steel Suspension FEE42 R HD

	PTO speed	Smoke detector
<input type="checkbox"/>	220EBH08 Engine block heater, 220V/0.8kW	Front and side window curtains
<input type="checkbox"/>	FLAMEPR Flame protection in the exhaust system	<input type="checkbox"/>
<input type="checkbox"/>	PTR-DIN Rear engine mounted PTO with DIN5462 (female) splined shaft for a close coupled pump	<input type="checkbox"/>
<input type="checkbox"/>	PTR1400 Rear engine mounted power-take-off with SAE 1410 flange	<input type="checkbox"/>
<input type="checkbox"/>	PR-HP4T Live-drive PTO for Allison gearbox output 400Nm for hydraulic pump connection mounted on top of the torque converter	<input type="checkbox"/>
<input type="checkbox"/>	PR-HP4TL Live-drive low speed PTO for Allison gearbox output 400Nm for hydraulic pump connection mounted on top of the torque converter	<input type="checkbox"/>
<input type="checkbox"/>	PR-HP6T Live-drive PTO for Allison gearbox output 600Nm for hydraulic pump connection mounted on top of the torque converter	<input type="checkbox"/>
<input type="checkbox"/>	PR-HP6TH Live-drive high speed PTO for Allison gearbox output 600Nm for hydraulic pump connection mounted on top of the torque converter	<input type="checkbox"/>
<input type="checkbox"/>	PR-HP6TL Live-drive low speed PTO for Allison gearbox output 600Nm for hydraulic pump connection mounted on top of the torque converter	<input type="checkbox"/>
<input type="checkbox"/>	PTR-FH1 Rear PTO Gearbox S81 flange DIN connection	<input type="checkbox"/>
<input type="checkbox"/>	PTR-FH2 Rear PTO Gearbox S84 flange DIN connection	<input type="checkbox"/>
<input type="checkbox"/>	PTR-FH5 Rear PTO Gearbox S88 flange DIN connection	<input type="checkbox"/>
<input type="checkbox"/>	PTR-PH1 Rear PTO Gearbox S81 pump DIN connection	<input type="checkbox"/>
<input type="checkbox"/>	PTR-PH2 Rear PTO Gearbox S84 pump DIN connection	<input type="checkbox"/>
<input type="checkbox"/>	PTR-PH4 Rear PTO Gearbox S88 pump DIN connection	<input type="checkbox"/>
<input type="checkbox"/>	PTR-PK Electrical and solenoid prep kit for gearbox PTO	<input type="checkbox"/>
<input type="checkbox"/>	PTR-ZF2 Rear Power Take Off flange DIN connection	<input type="checkbox"/>
<input type="checkbox"/>	PTR-ZF3 Rear Power Take Off Gearbox pump DIN connection	<input type="checkbox"/>
<input type="checkbox"/>	PTR-ZF4 Rear PTO Gearbox 320Nm flange connection	<input type="checkbox"/>
<input type="checkbox"/>	PTR-ZF5 Rear PTO Gearbox 320Nm pump connection	<input type="checkbox"/>
<input type="checkbox"/>	PTRA-PH2 Add PTO for 9sp box twin S84 pump conn	<input type="checkbox"/>
<input type="checkbox"/>	HPG-F101 Gearbox mounted hydraulic pump F1-101, fixed displacement, single flow.	<input type="checkbox"/>
<input type="checkbox"/>	HPG-F41 Gearbox mounted hydraulic pump F1-41, fixed displacement, single flow.	<input type="checkbox"/>
<input type="checkbox"/>	HPG-F51 Gearbox mounted hydraulic pump F1-51, fixed displacement, single flow.	<input type="checkbox"/>
<input type="checkbox"/>	HPG-F61 Gearbox mounted hydraulic pump F1-61, fixed displacement, single flow.	<input type="checkbox"/>
<input type="checkbox"/>	HPG-F81 Gearbox mounted hydraulic pump F1-81, fixed displacement, single flow.	<input type="checkbox"/>
<input type="checkbox"/>	ENGPROT Engine protection	<input type="checkbox"/>
CAB INTERIOR		
<input type="checkbox"/>	DST-CF5 Driver seat comfort air suspended, heated, with seatbelt built into the seat and adjustments for the following , backrest tilt, height, front tilt, length, adjustable shock absorber and rapid descent.	<input type="checkbox"/>
<input type="checkbox"/>	DST-ECO A	<input type="checkbox"/>
<input checked="" type="checkbox"/>	DST-STD2	<input type="checkbox"/>
<input type="checkbox"/>	DST-STD8	<input type="checkbox"/>
<input type="checkbox"/>	PST-BAS1	<input type="checkbox"/>
<input checked="" type="checkbox"/>	PST-ECO A	<input type="checkbox"/>
<input type="checkbox"/>	PST-STD6	<input type="checkbox"/>
<input type="checkbox"/>	PST-STD7	<input type="checkbox"/>
<input type="checkbox"/>	APST Additional passenger seat.	<input type="checkbox"/>
<input type="checkbox"/>	ARMRE-PS Single armrest on passenger seat next to the driver.	<input type="checkbox"/>
<input type="checkbox"/>	BED2058 Occasional single piece foam bunk Bunk size - Thickness 13.5mm x Width 58cm x Length 200cm Smoke detector Front and side window curtains	<input type="checkbox"/>
<input type="checkbox"/>	BED2078 Fixed sprung bunk Bunk size - Thickness 13.5mm x Width 78cm x Length 200cm Smoke detector Front and side window curtains, with additional bunk curtain	<input type="checkbox"/>
<input type="checkbox"/>	REST2078 Two piece fold up foam bunk Bunk size - Thickness 9mm x Width 78cm x Length 200cm	<input type="checkbox"/>
<input checked="" type="checkbox"/>	Standard Equipment	<input type="checkbox"/>
	<input type="checkbox"/>	Optional Equipment

For more detailed information about cab and powertrain equipment, please refer to separate specification sheets.

For all possible options and combinations of options please consult your Volvo sales contact who can create a specification to match your requirements using the Volvo Sales Support system (VSS).

The factory reserves the right to modify design and change equipment without previous notification. The specification can vary from country to country.

MODEL RANGE

FE 4x2 Rigid - Steel Suspension FEE42 R HD

- DOL12S12** 12 volt dash single outlet
- DOL24+12**
- IMMOAL** Immobiliser and cab alarm
- IMMOUAL** Immobiliser
- BUPALARM** Reverse alarm
- REM-AUD** Remote control for audio system
- FIRE2SWE** 2kg fire extinguisher located by the driver's seat next to the door
- WARNVEST** High visibility warning vest - no sleeves
- WARNTRI1** One warning triangle
- WARNTRI2** Two warning triangles
- WARNTRI3** Three warning triangles
- AIDKIT** First aid kit - Legal demand for EU markets including delivery to EU bodybuilder
- TACHOP2** Continental VDO DTCO 2.0 digital tachograph for ADR applications can be modified for remote download
- TACHOP4** Continental VDO DTCO 2.0 digital tachograph can be modified for remote download
- TACHOP5** Tachograph, 2 drivers, 125kph
- CRUISEC** Cruise control with switches in the steering wheel
- JACK-10T** 10 tonne bottle jack
- INFLAHOS** Tyre inflation hose
- GAUGE-TP** Tyre pressure gauge
- MAT-RUB** Rubber Mats
- XINS-CAB** Extra insulation in cab
- XINS-MCA** Extra insulation medium level in cab
- WRITEPAD** Writing pad
- TBC-EC** Maximum crane capacity 20tonne/m
- TRBR-UPT** EEC palm air connections
- TRBRAKE1** Trailer brake control, without pressure trailer control
- TRBRAKE1** Trailer brake, 1 valve
- BBP-CF** Body Builder preparation, wiring pass through in cab floor
- ELCE-CK** Electrical interface for Body Builder
- ELCE-PK1** Electrical preparation kit for Body Builder does not include bodybuilder module
- TAILPREP** Taillift preparation kit - cab switch and warning in driver display
- BODATTF** Lower flexible front body mounts fixed to chassis - upper not supplied
- BODATTS** Pre-punched holes for TANKER flexible body attachments - mountings not supplied.
- BODATTSF** Body attachments, semi-flexible
- UBODATT** Without body attachments - punched holes

DELIVERY SERVICES

- LAMP-IN** Inspection lamp

CAB EXTERIOR

- CTILTP-E** Electrically operated hydraulic cab tilt
- CTILTP-M** Manually operated hydraulic cab tilt
- CABS-FUA** Rear cab suspension - Air
- CABS-MEC** Rear cab suspension - coil spring
- AUXFS-FF** Auxiliary folding front footstep
- MIRCOMF** Electrically heated and operated main mirrors with wide angle mirror on both sides and kerb mirror on the passenger side.
- MIRSTD** Electrically heated main mirrors with wide angle mirror on both sides and kerb mirror on the passenger side.
- CMIR-FF** Close view front mirror
- SUNV-URL** Exterior sunvisor
- AD-ROOF** Fixed cab roof air deflector - not adjustable
- AD-ROOFA** Adjustable air deflector
- AD-SIDES** Cab side air deflector, short extension panels.
- HL-CLEAN** Head lamp cleaner jet
- HL-ASYML** Head lamp asymmetric, right hand drive
- HL-ASYMR** Head lamp asymmetric, left hand drive
- LOWB-DAY** Day running light
- LOWB-STD** Standard low beam
- FOGL-WB** Fog lights located in the corner of the front bumper
- BEACON-P** Beacon preparation
- BEACONA2** Two amber beacons directly mounted to cab roof
- AHORN-D** Twin roof mounted air horns
- ACCBP-PK** Accessory roof bracket - preparation kit
- ACCBKTF** Accessory roof bracket - front

SUPERSTRUCTURE PREPARATIONS

- CRANE-PK** Crane preparation kit - mounting plates for subframe behind cab

VOLVO

Volvo Truck Corporation

volvotrucks.com